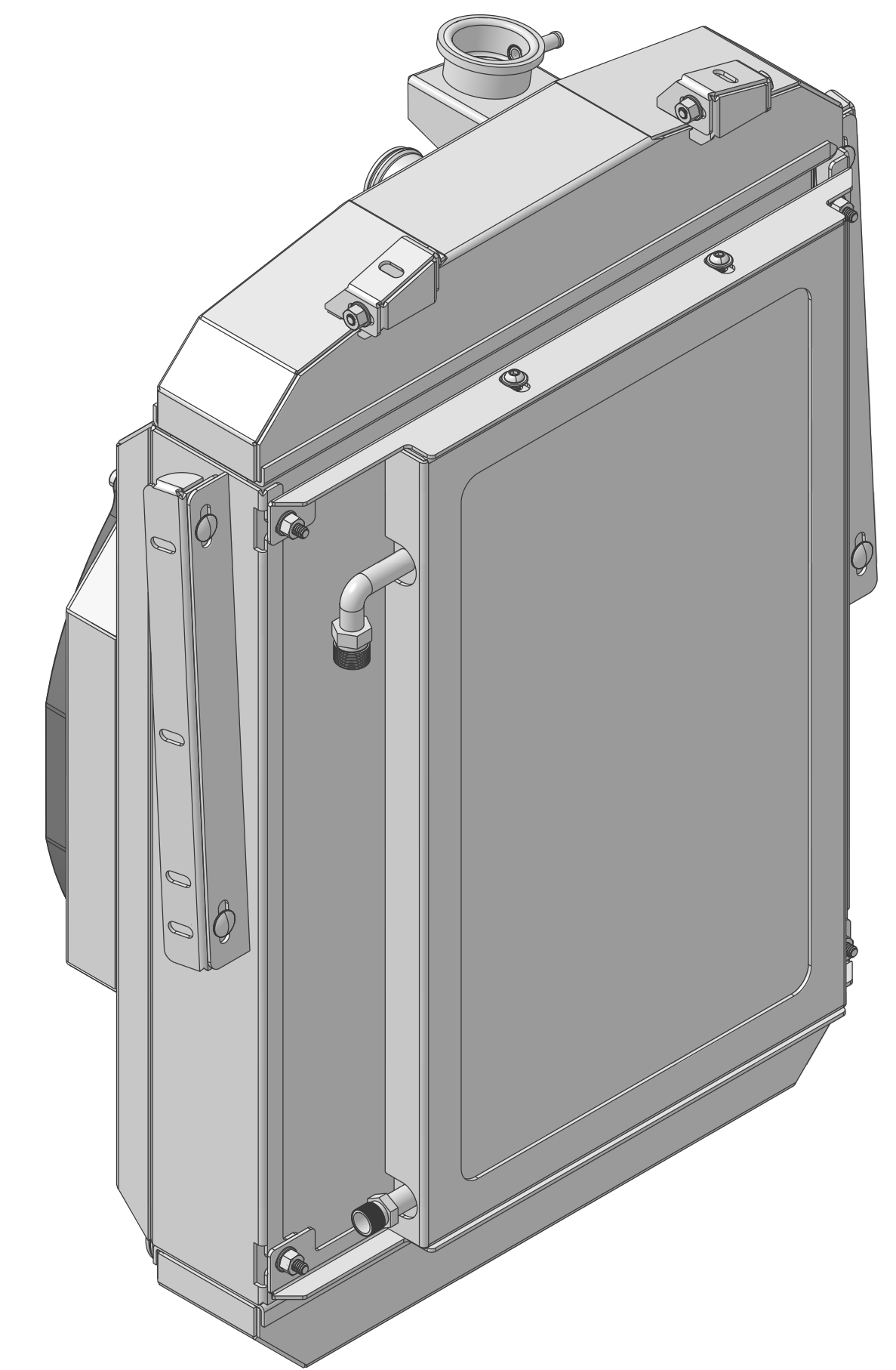
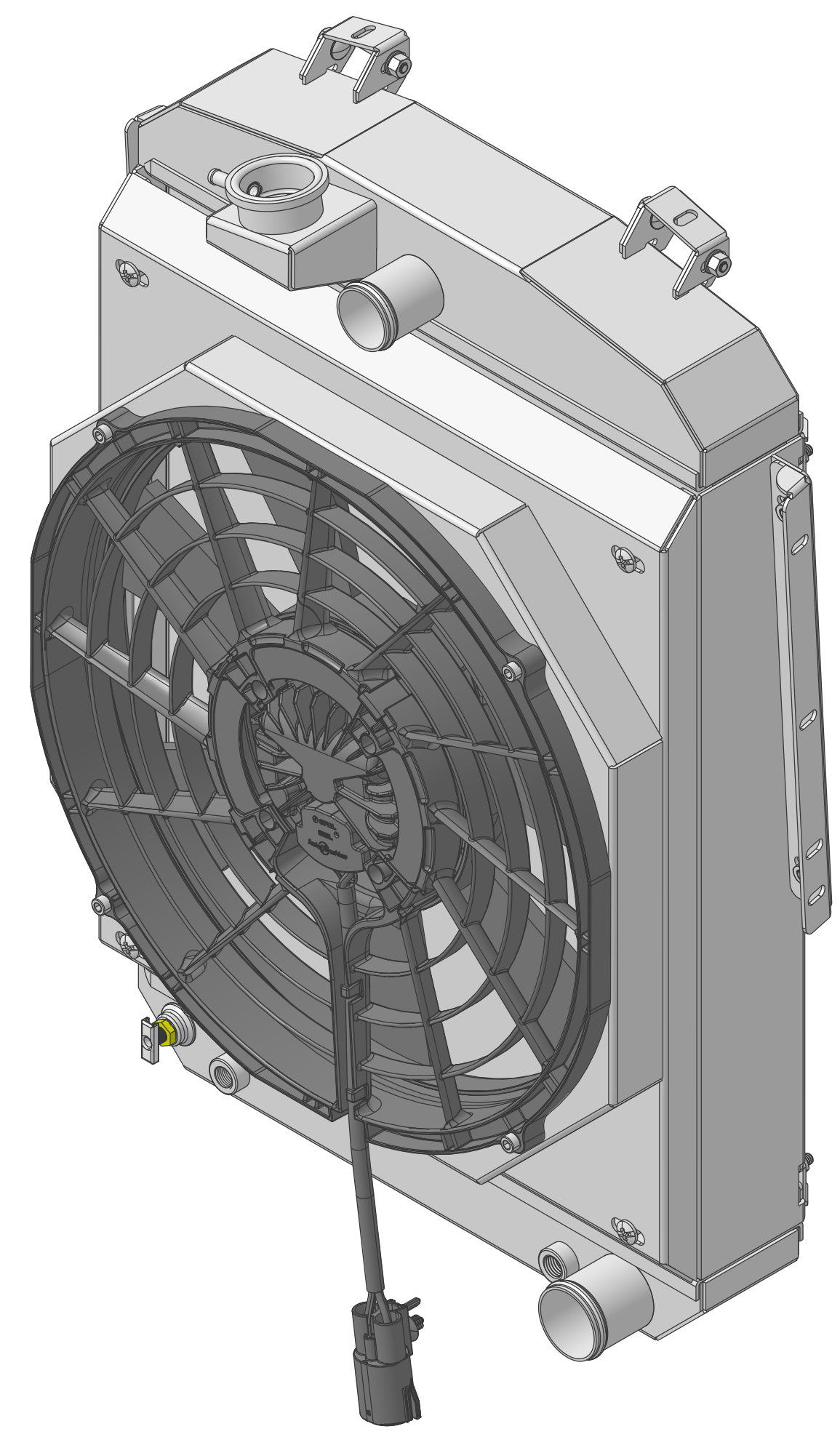
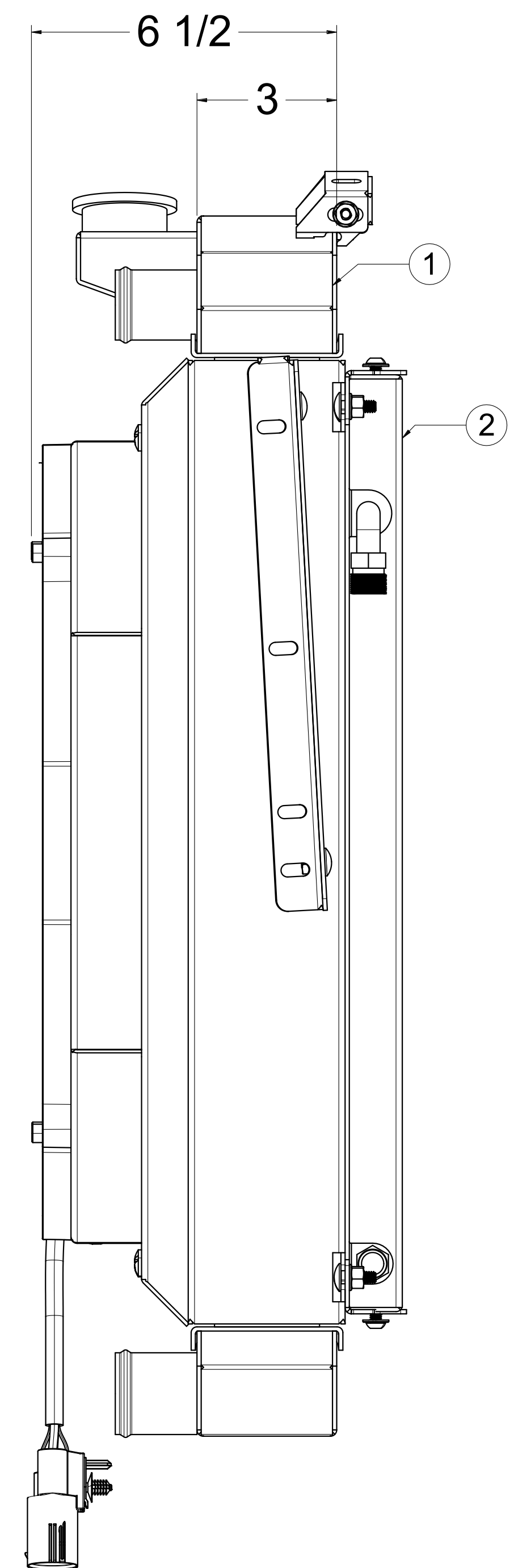
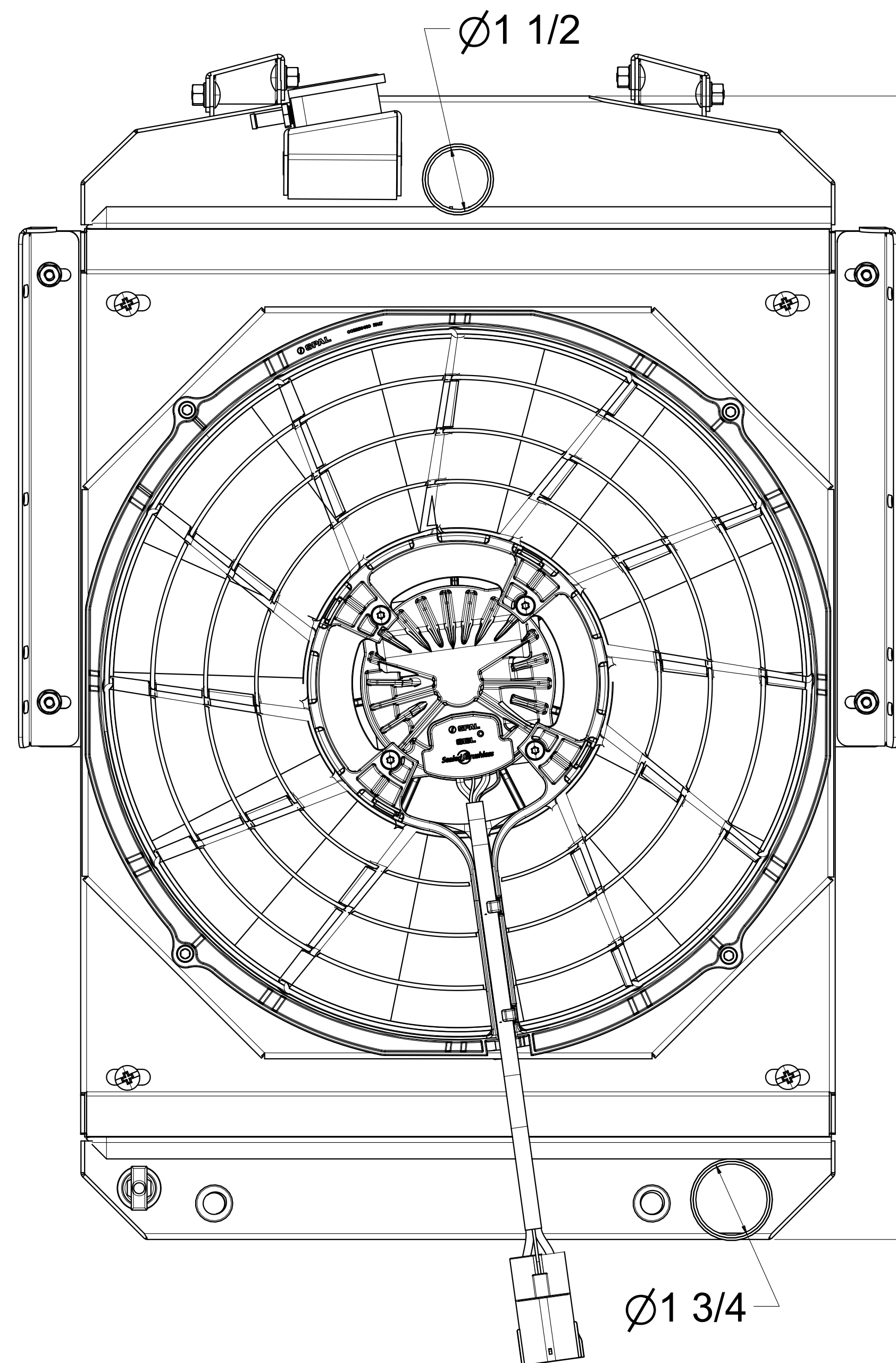
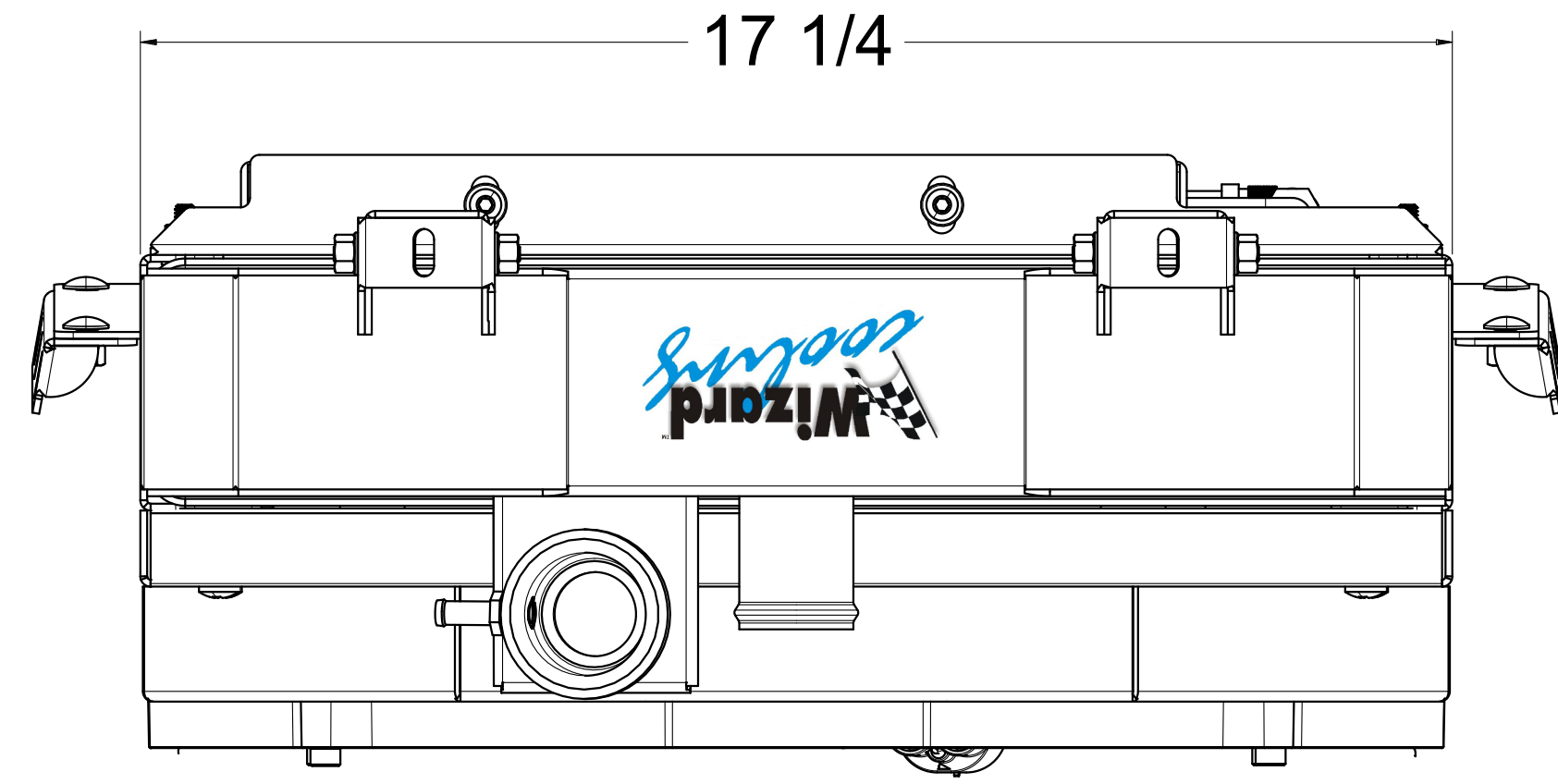


8 7 6 5 4 3 2 1

REVISIONS				
ZONE	REV	DESCRIPTION	DATE	APPROVED

SKU #	Radiator DWG #	Radiator P/N	Transmission	Core Size	Shroud & Fan DWG #	Shroud & Fan P/N	Fan Type	A/C Condenser
1-92002-118BLAC300	1-92002-Radiator	1-92002-110	Automatic	STANDARD (2 Rows of 1" Tubes)	1-92002-008BL (Dual Chamber Shroud)	1-92002-008BL300	300W Brushless	1-92002-000AC
1-92002-118BLAC500						500W Brushless		
1-92002-218BLAC300		1-92002-210		UPGRADED (2 Rows of 1.25" Tubes)		1-92002-008BL300	300W Brushless	
1-92002-218BLAC500						500W Brushless		



Item Number	Quantity	Part Number	Part Name	Revision	Comment
1	1	See Table	Radiator Assembly (AT)		
2	1	1-92002-000AC	A/C Condenser		
3	1	1-92002-008BL	BL Shroud Asm.		

DRAWN	SH	DATE	4-22-26
CHECKED			
QA			
MFG			
APPROVED			

Title: **1-92002-Radiator & 1-92002-008BLAC Automatic Transmission**

SIZE	D	FSCM NO.		DWG NO.		REV	-
SCALE	1:1					SHEET	

8 7 6 5 4 3 2 1