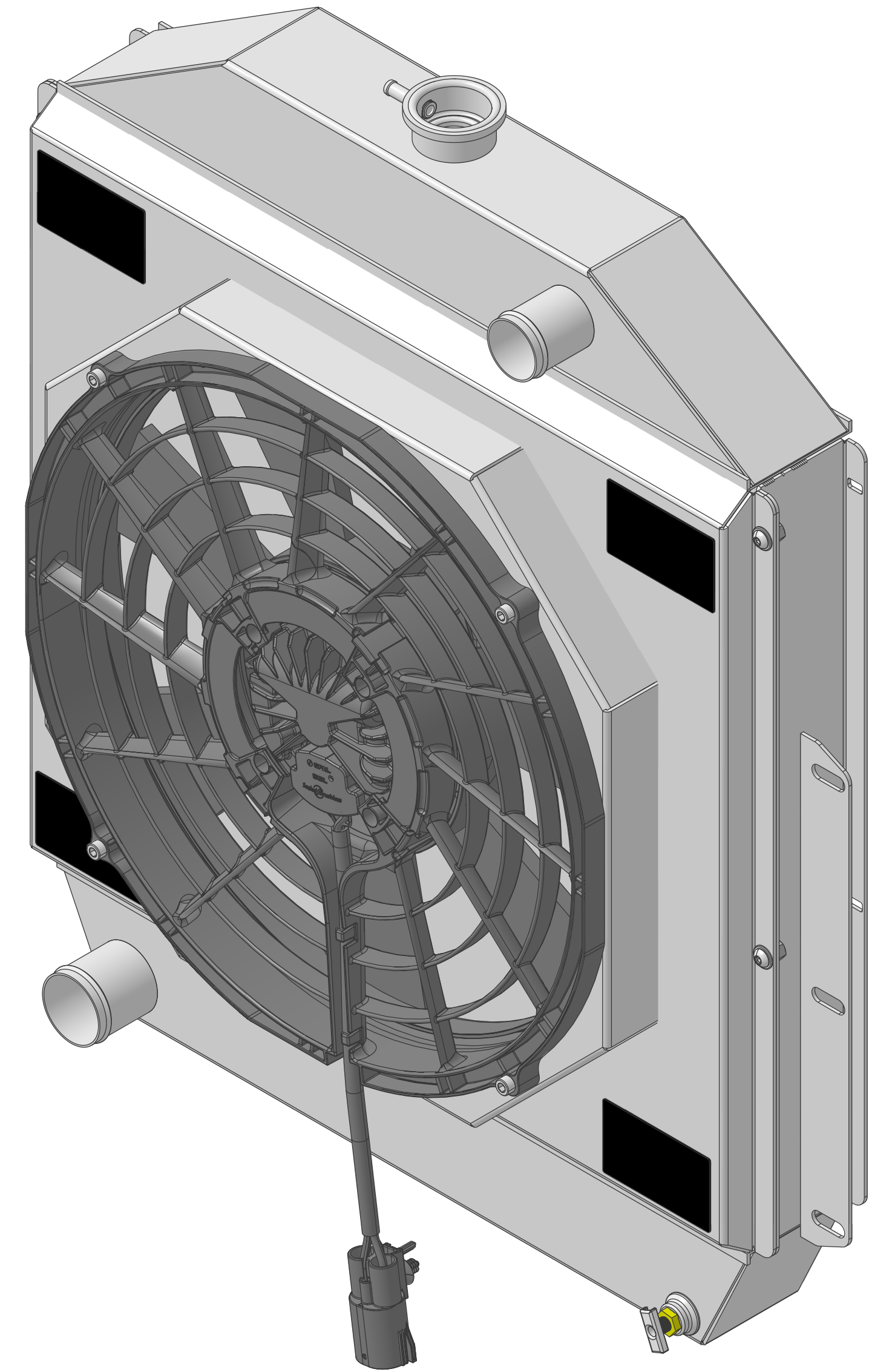
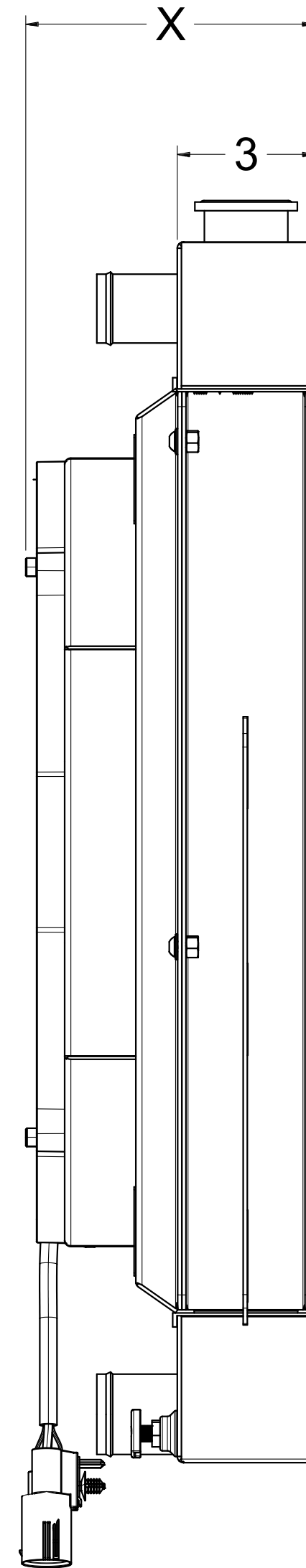
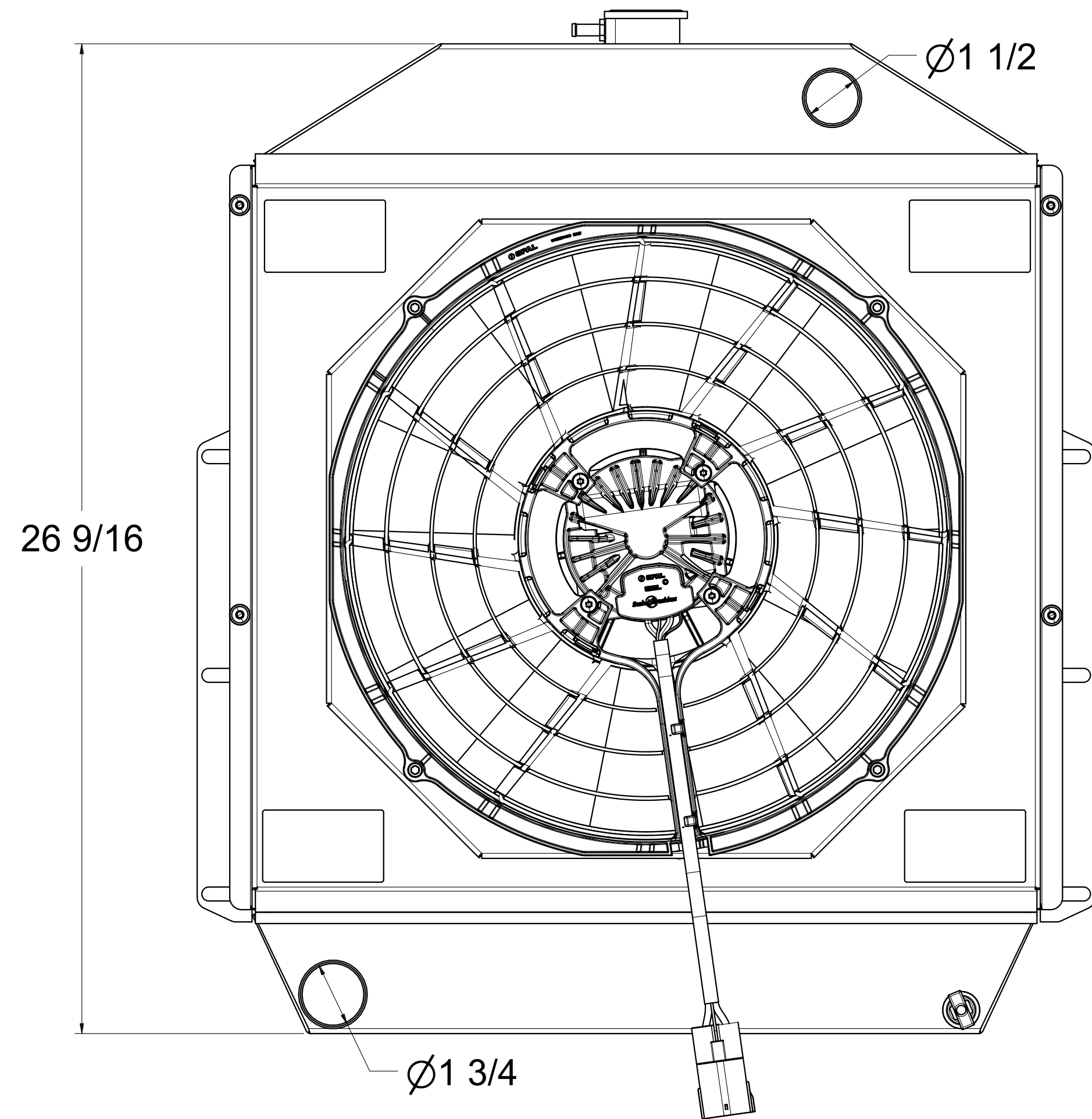
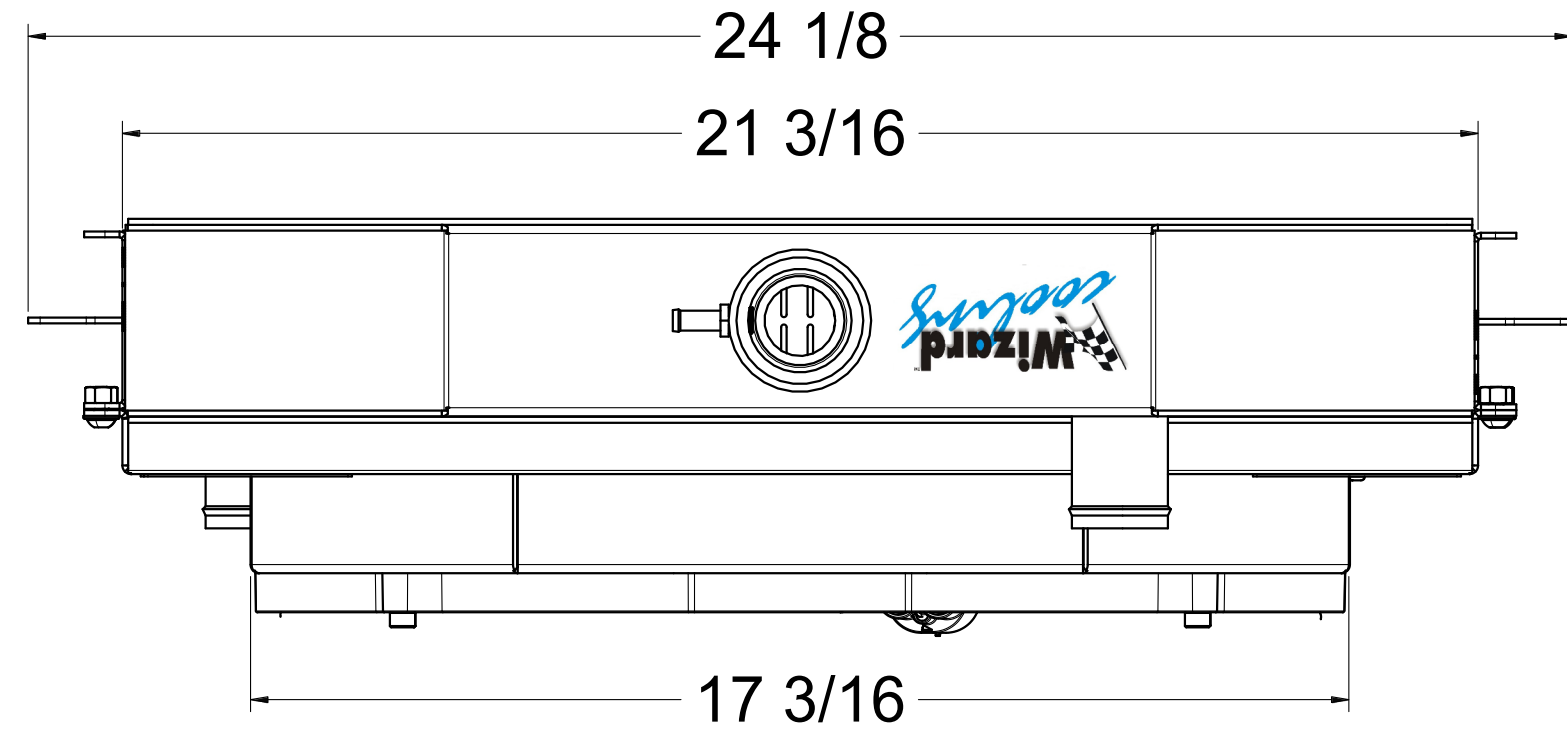


| SKU # | Radiator DWG # | Radiator P/N | Transmission | Core Size | Shroud & Fan DWG # | Shroud & Fan P/N | Fan Type | Dimension "X" |
|------------------|------------------|--------------|--------------|-------------------------------------|--|------------------|----------------|---------------|
| 1-98500-108BL300 | 1-98500-Radiator | 1-98500-100 | Manual | STANDARD (2 Rows of 1" Tubes) | 1-98500-008BL (Dual Chamber Shroud) | 1-98500-008BL300 | 300W Brushless | 6.5" |
| 1-98500-108BL500 | | | | 1-98500-008BL500 | | 500W Brushless | | |
| 1-98500-208BL300 | | 1-98500-200 | | UPGRADED (2 Rows of 1.25" Tubes) | | 1-98500-008BL300 | 300W Brushless | |
| 1-98500-208BL500 | | | | 1-98500-008BL500 | | 500W Brushless | | |




Wizard
cooling
 Custom Aluminum Radiators
www.wizardcooling.com

Contact Us:
716-655-6760

Drawing Name
**1-98500-Radiator
 &
 1-98500-008BL
 Manual Transmission**