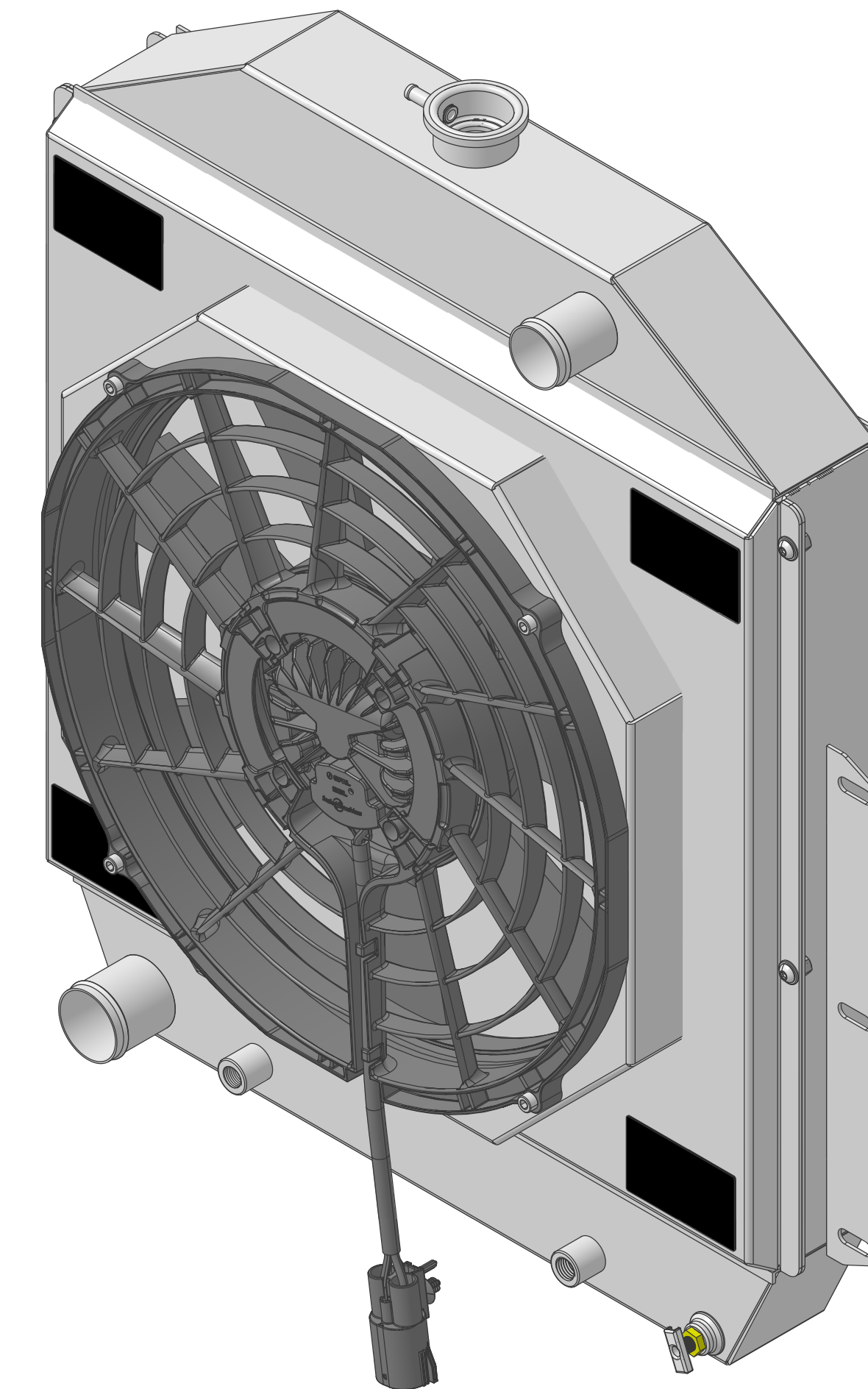
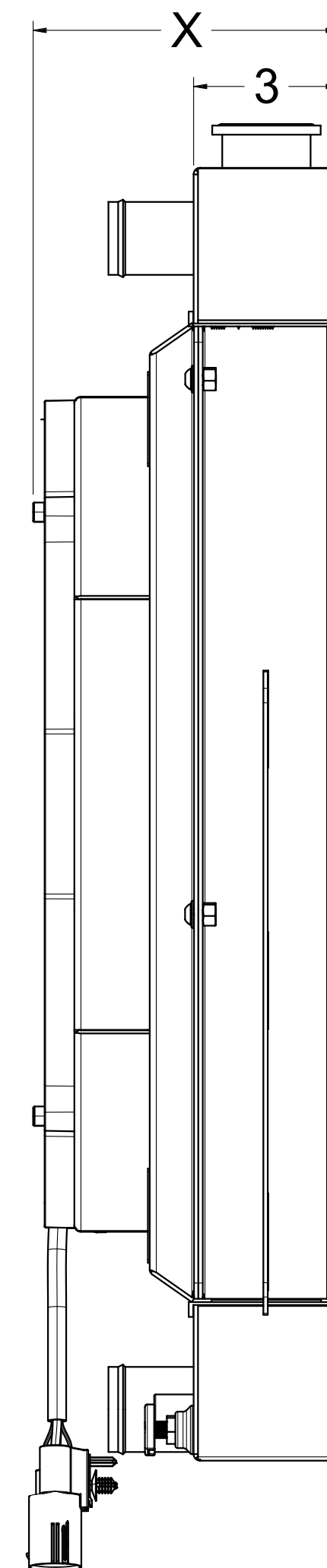
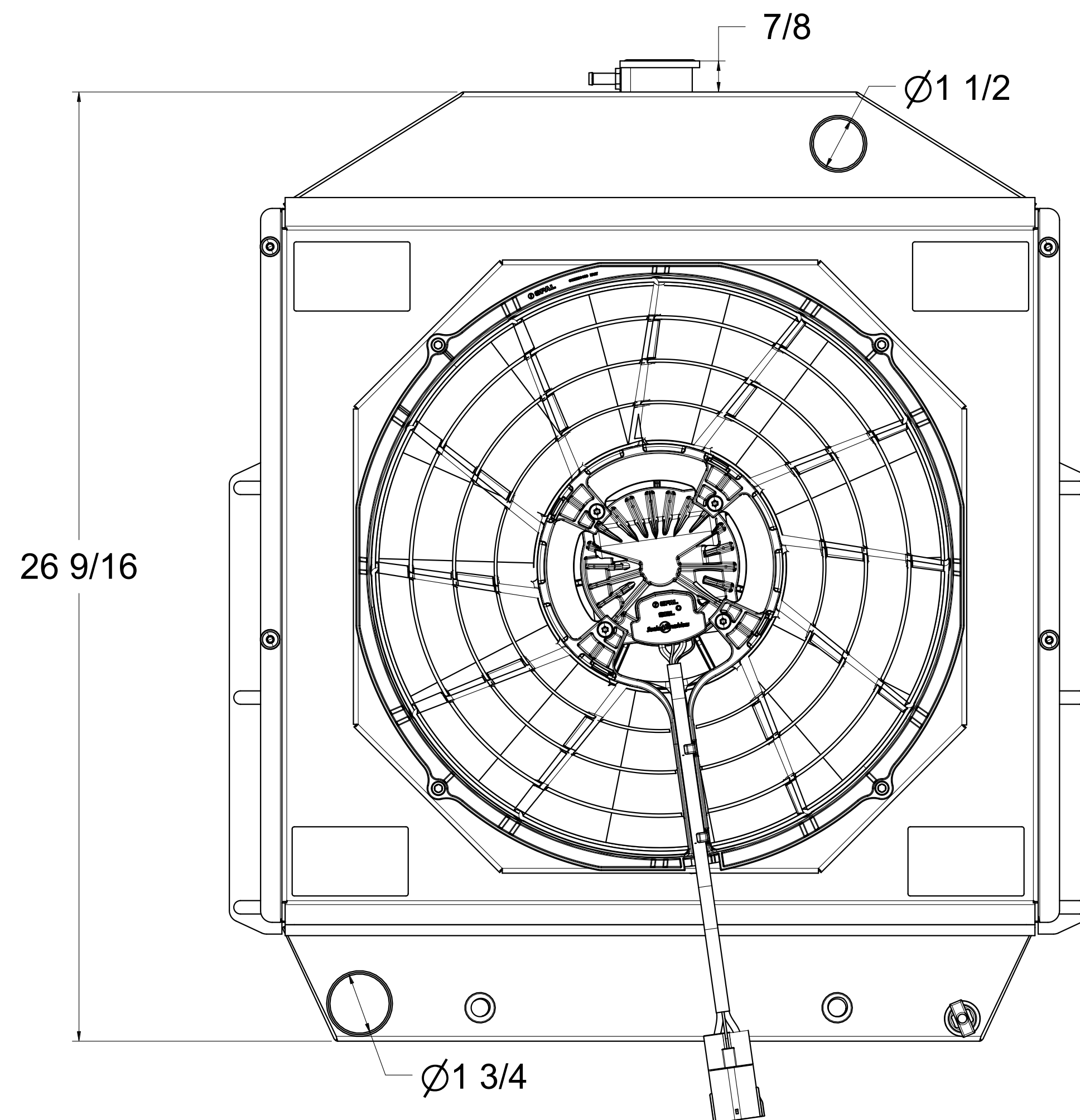
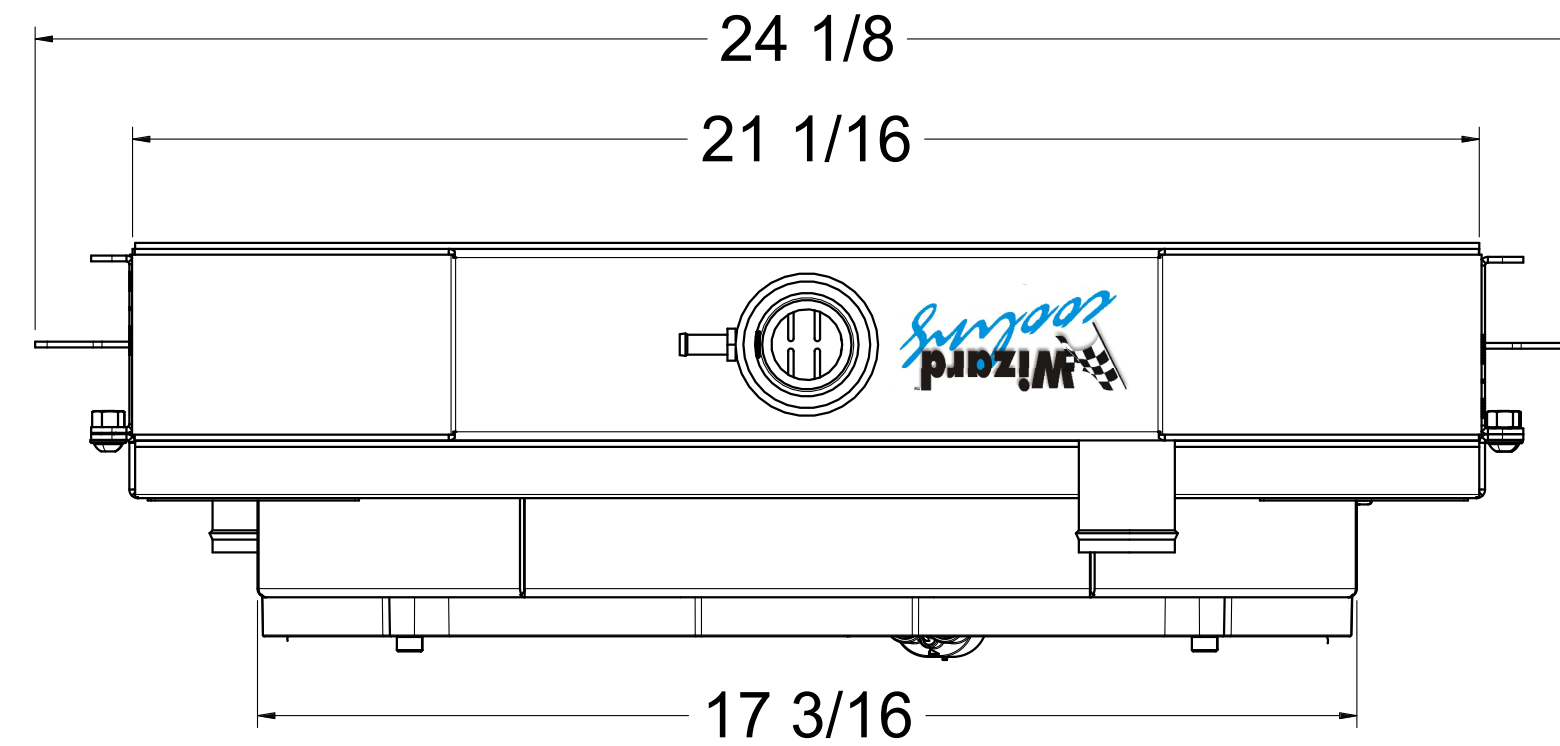


SKU #	Radiator DWG #	Radiator P/N	Transmission	Core Size	Shroud & Fan DWG #	Shroud & Fan P/N	Fan Type	Dimension "X"
1-98500-118BL300	1-98500-Radiator	1-98500-110	Automatic	STANDARD (2 Rows of 1" Tubes)	1-98500-008BL (Dual Chamber Shroud)	1-98500-008BL300	300W Brushless	6.5"
1-98500-118BL500						500W Brushless		
1-98500-218BL300		1-98500-210		UPGRADED (2 Rows of 1.25" Tubes)		1-98500-008BL300	300W Brushless	
1-98500-218BL500						500W Brushless		



**Wizard**  
*cooling*  
Custom Aluminum Radiators  
[www.wizardcooling.com](http://www.wizardcooling.com)

Contact Us:  
716-655-6760

Part Number  
1-98500-Radiator  
&  
1-98500-008BL  
Automatic Transmission