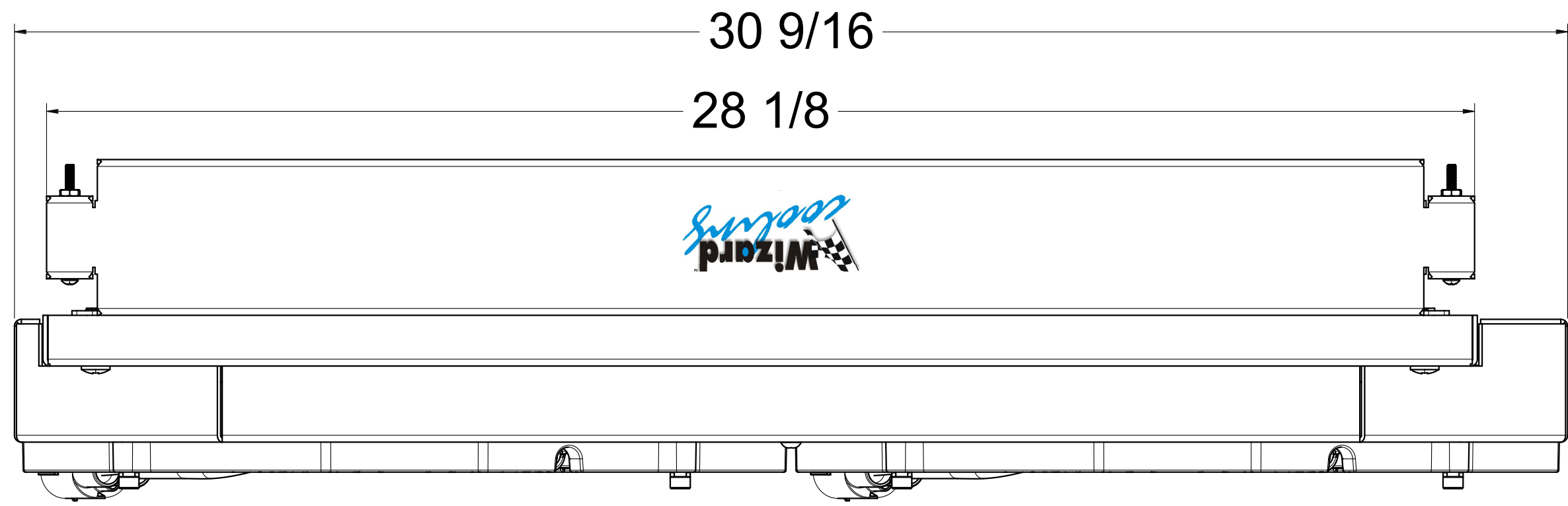
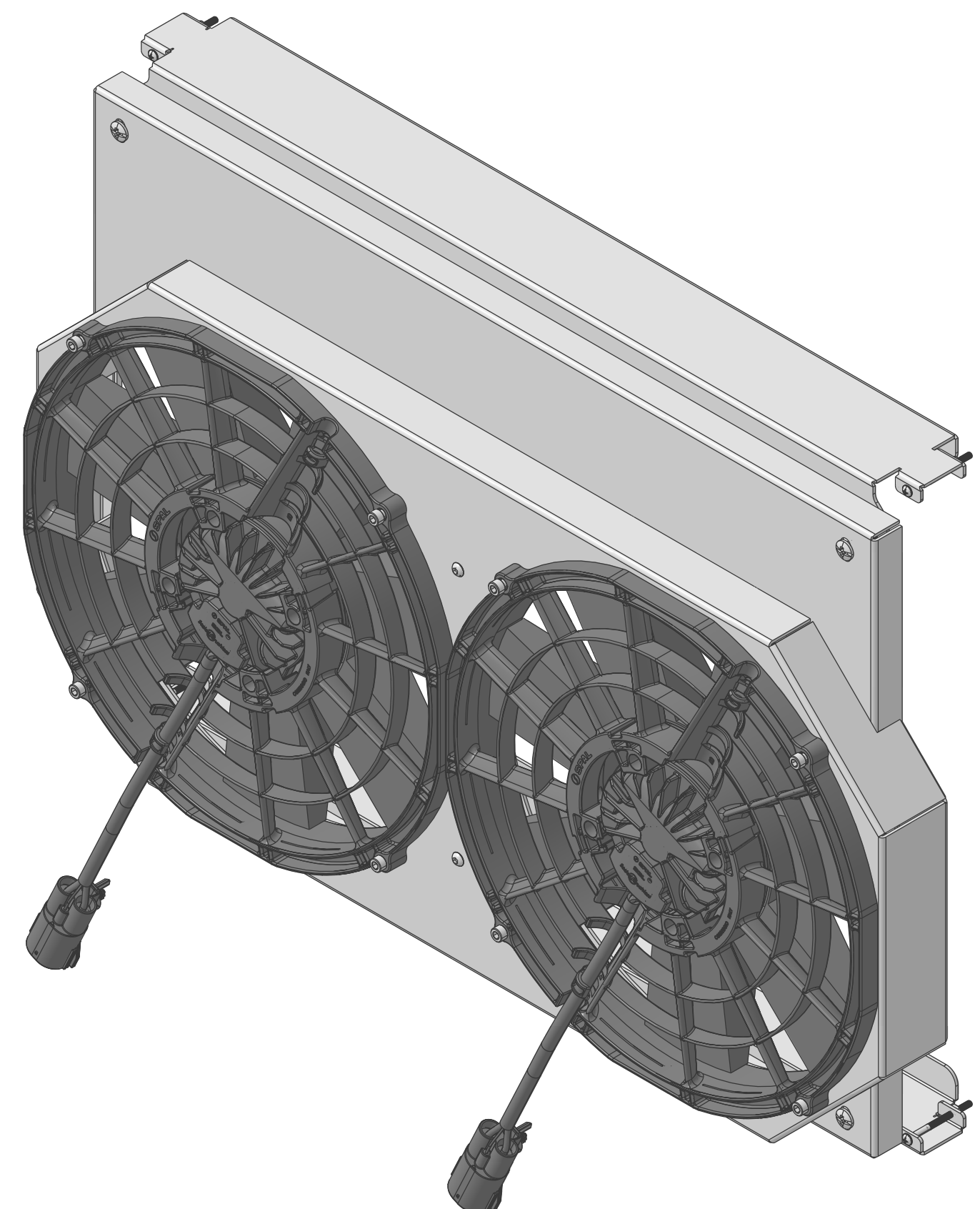
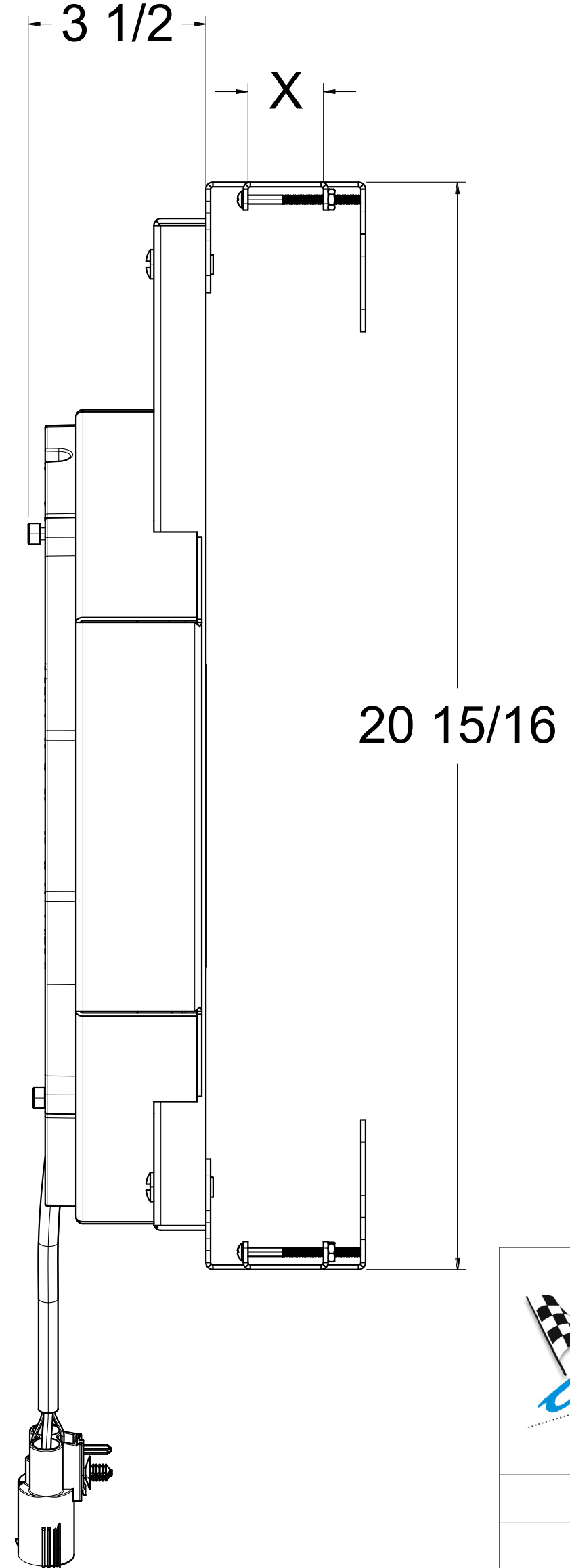
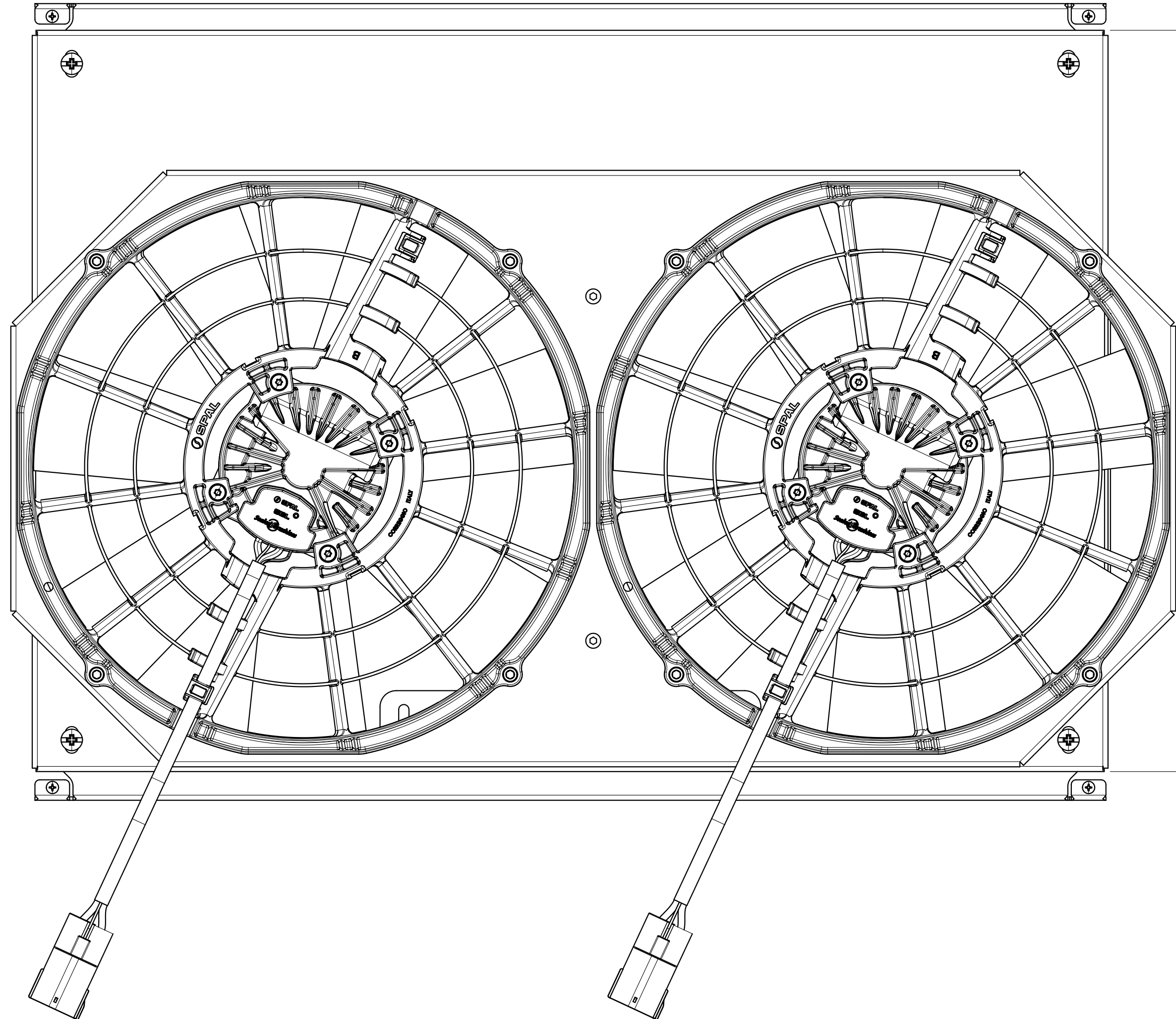


REVISIONS				
ZONE	REV	DESCRIPTION	DATE	APPROVED



Shroud & Fan P/N	Channel Dwg #	Dimension "X"	Channel P/N
1-716-002BL300225	1-361-Channels	1 7/16"	1-361-Channel-100 (Standard)
1-716-002BL500225		1 7/8"	1-361-Channel-200 (Upgraded)
1-716-002BL300275			
1-716-002BL500275			



Item Number	Quantity	Part Number	Part Name	Revision	Comment
1	1	1-716-002BL	Shroud For Channels		
2	2	See Table	1-361-Channels		

	DRAWN	SH	DATE	4-23-25	Title: 1-716-002BL & 1-361-Channels
	CHECKED	QA			
	MFG				
	APPROVED				
SIZE	D	FSCM NO.		DWG NO.	REV
SCALE	1:1				SHEET