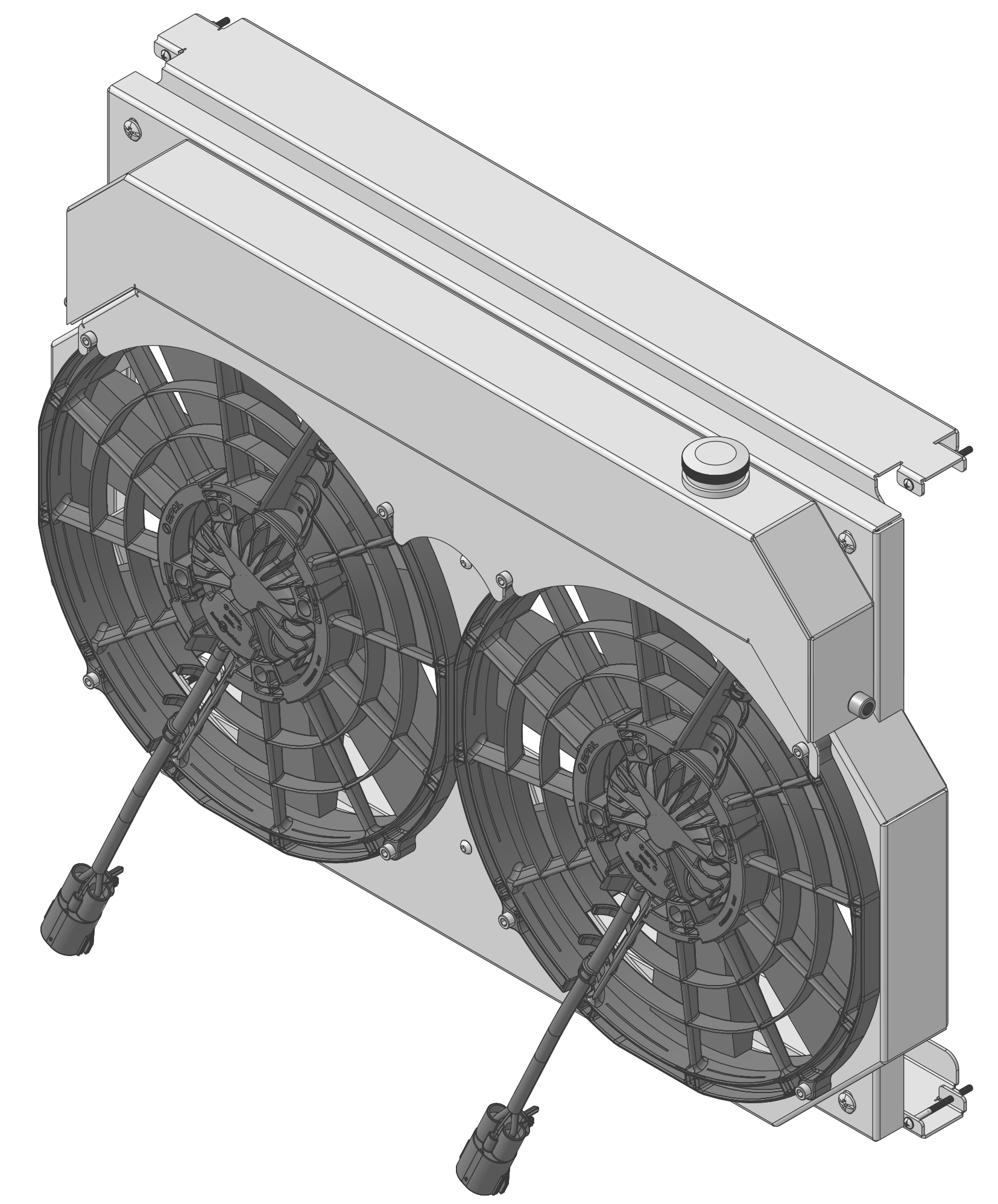
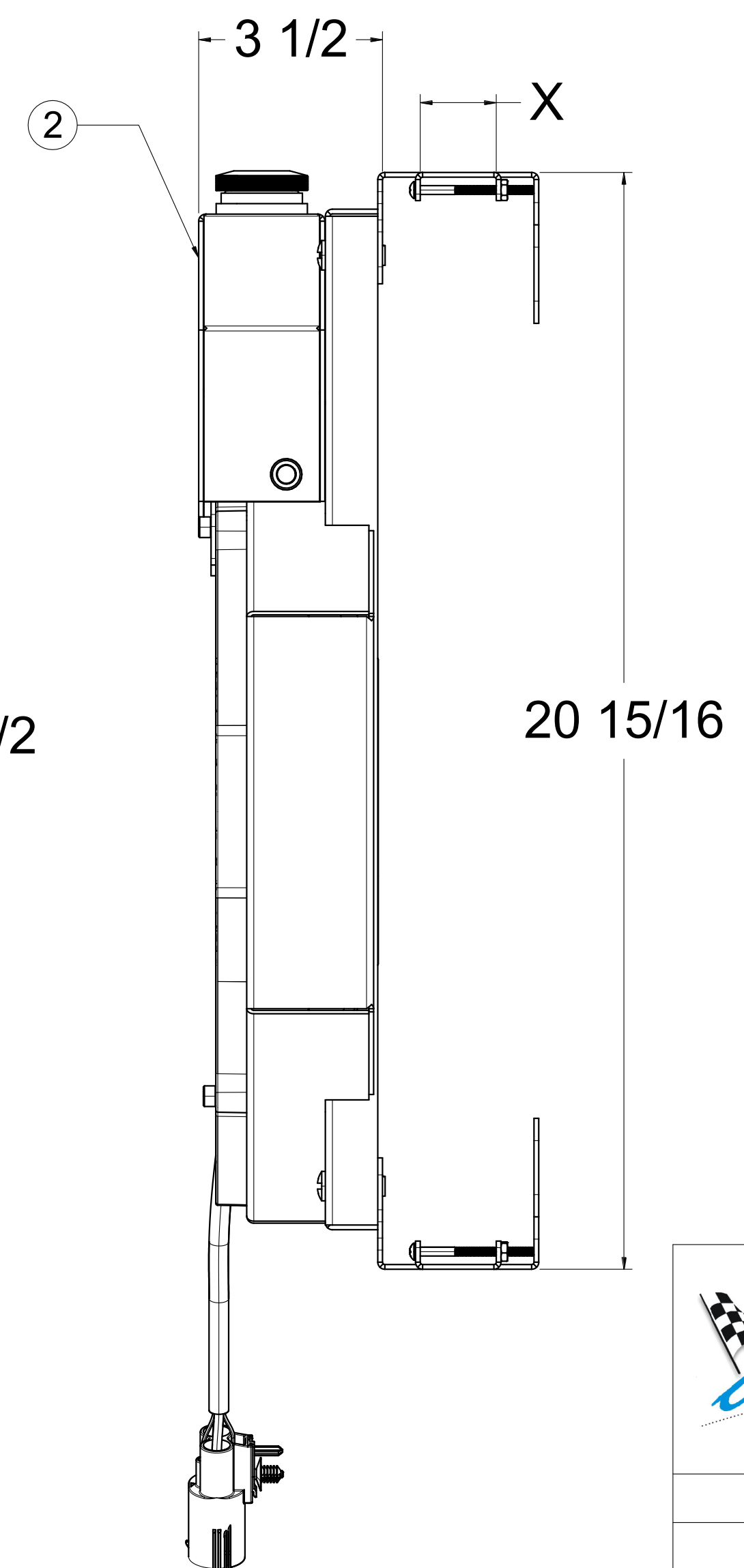
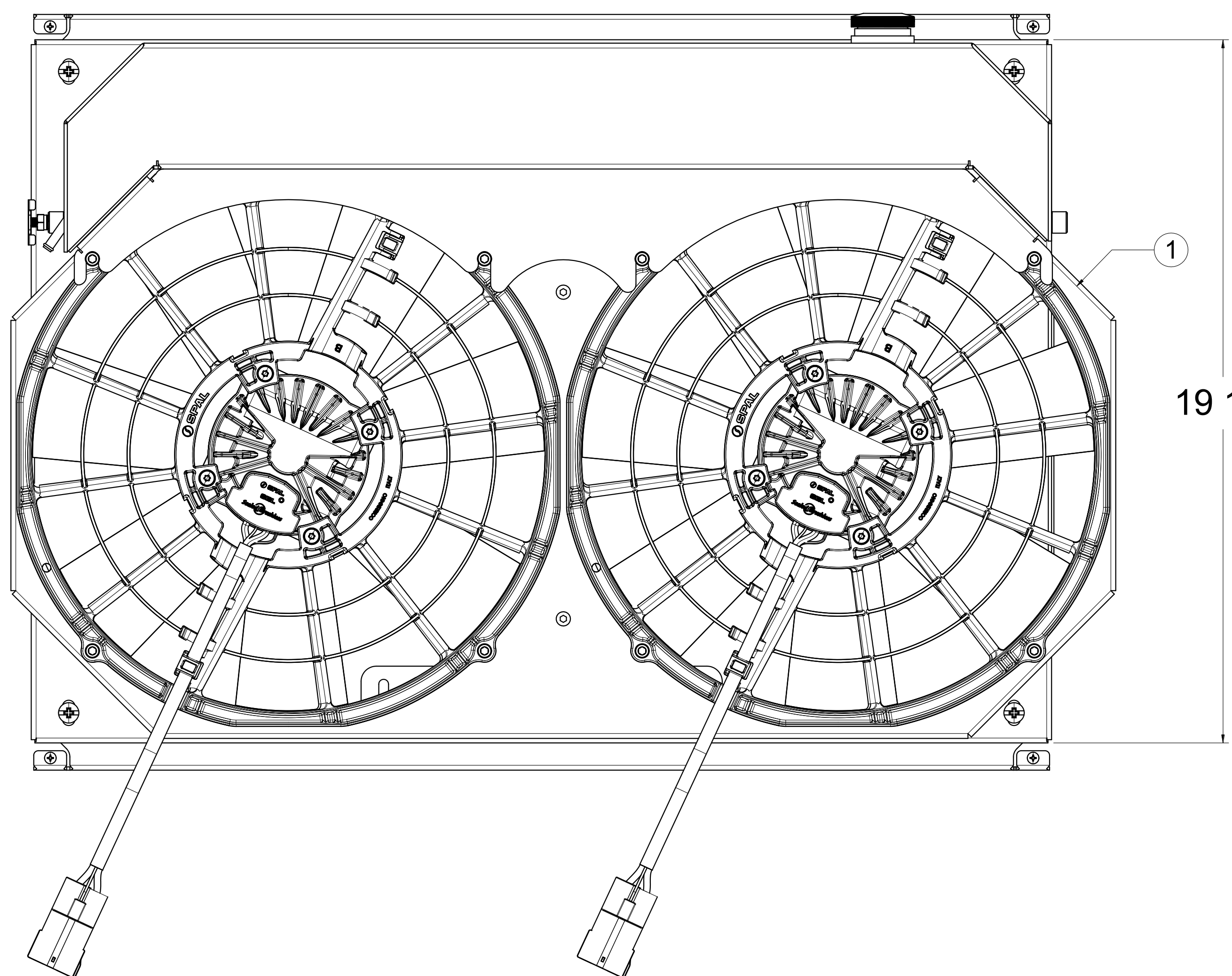
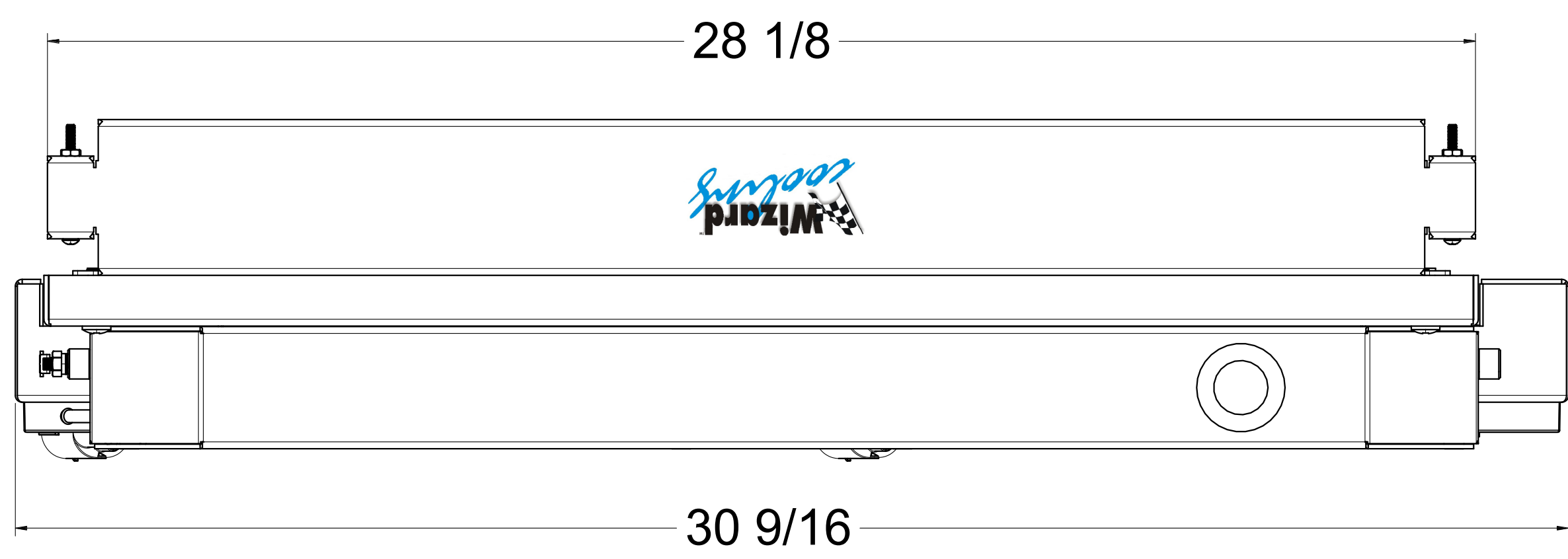


8 7 6 5 4 3 2 1

REVISIONS				
ZONE	REV	DESCRIPTION	DATE	APPROVED

SKU #	Shroud & Fan Dwg #	Shroud & Fan P/N	Dimension "X"	Core Mount Series	Expansion Tank P/N	Fan Type
1-716-002BL300225XL	1-716-002BL	1-361-002BL300225	1 7/16"	-100 (Standard)	1-716-000XL	300 Watt 14" Brushless
1-716-002BL500225XL		1-361-002BL500275				500 Watt 14" Brushless



Item Number	Quantity	Part Name	Part Number	Revision	Comment
1	1	Dual 14" Brushless Fan Shroud	See Table "Shroud & Fan P/N"		
2	1	See Table "Expansion Tank P/N"	Expansion Tank (Left Drain)		

<p>Custom Aluminum Radiators</p>	DRAWN RM	DATE 10/07/25	Title: <h1>1-716-002BLXL</h1>			
	CHECKED					
	QA					
	MFG					
APPROVED			SIZE D	FSCM NO.	DWG NO.	REV -
SCALE 1:1		SHEET				

8 7 6 5 4 3 2 1