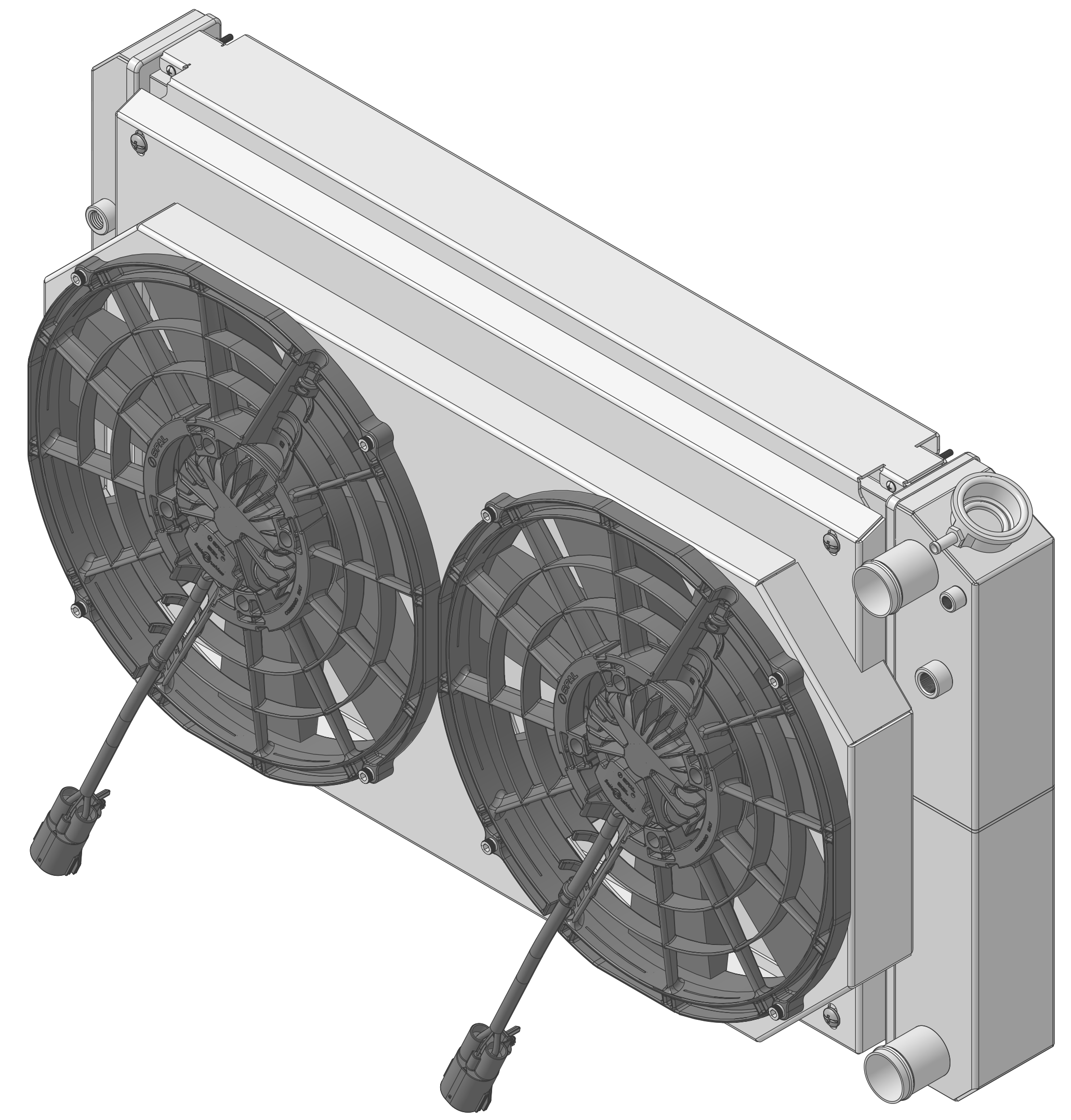
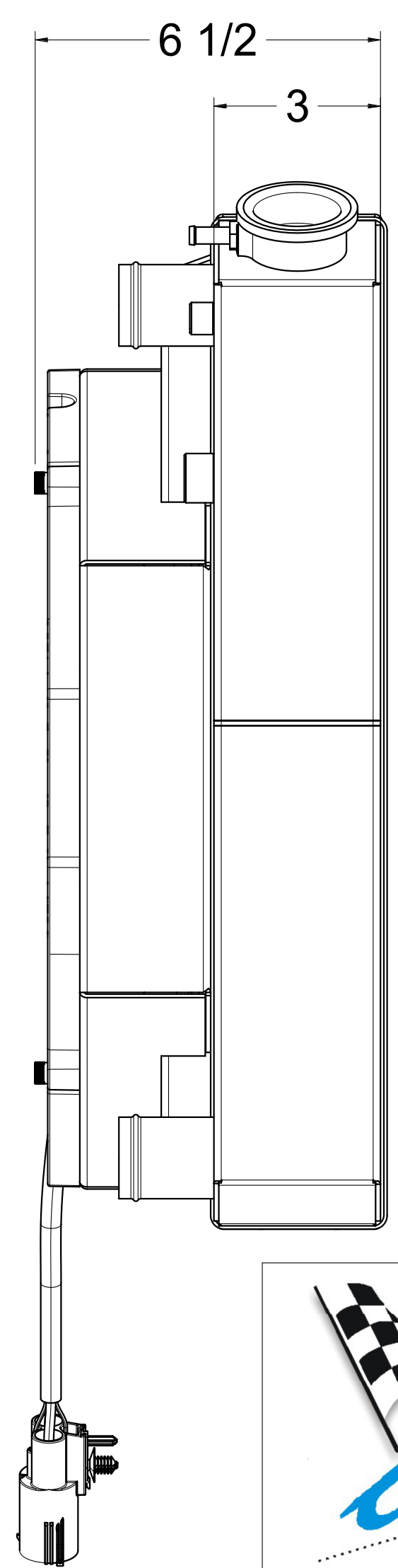
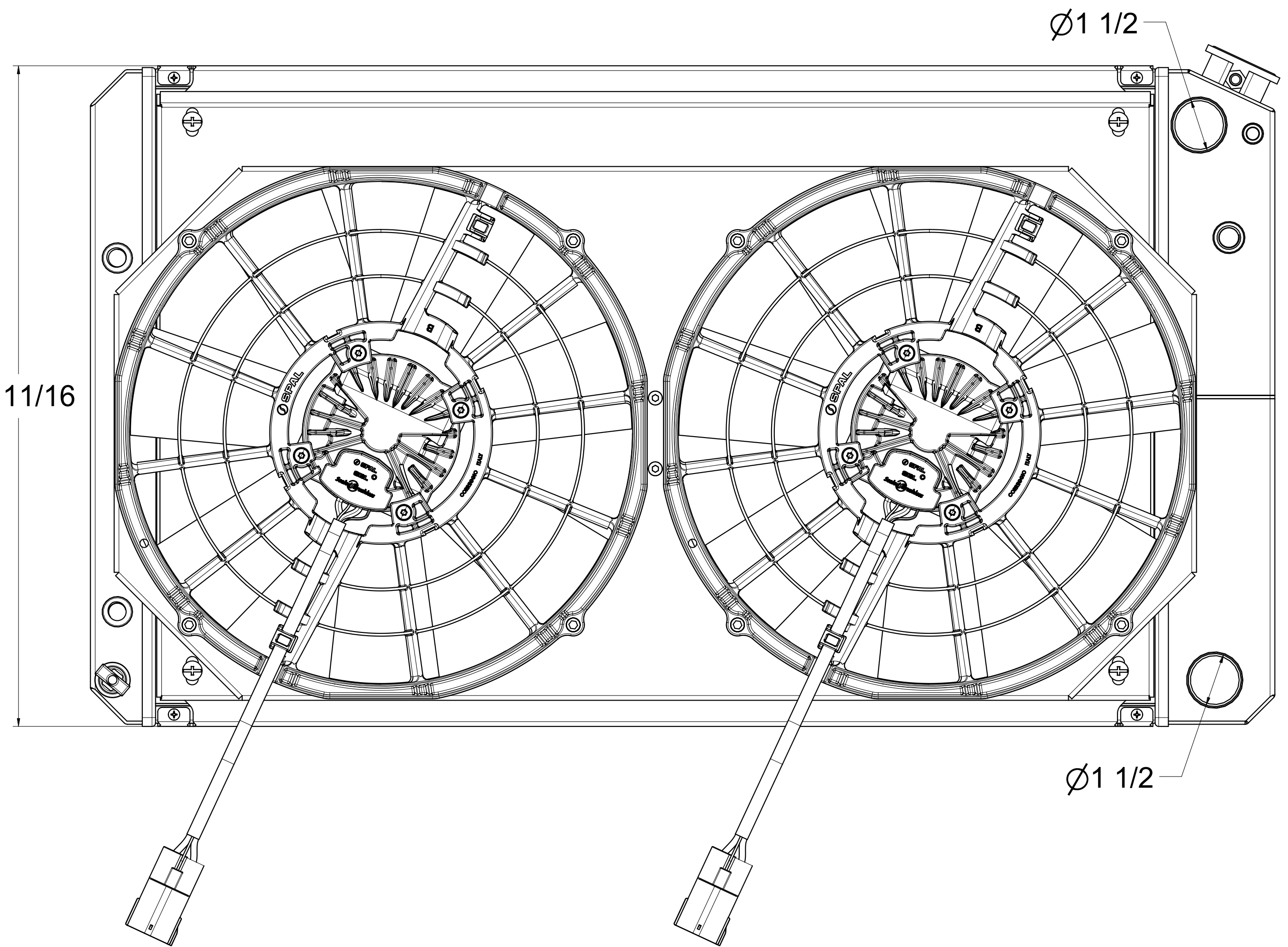
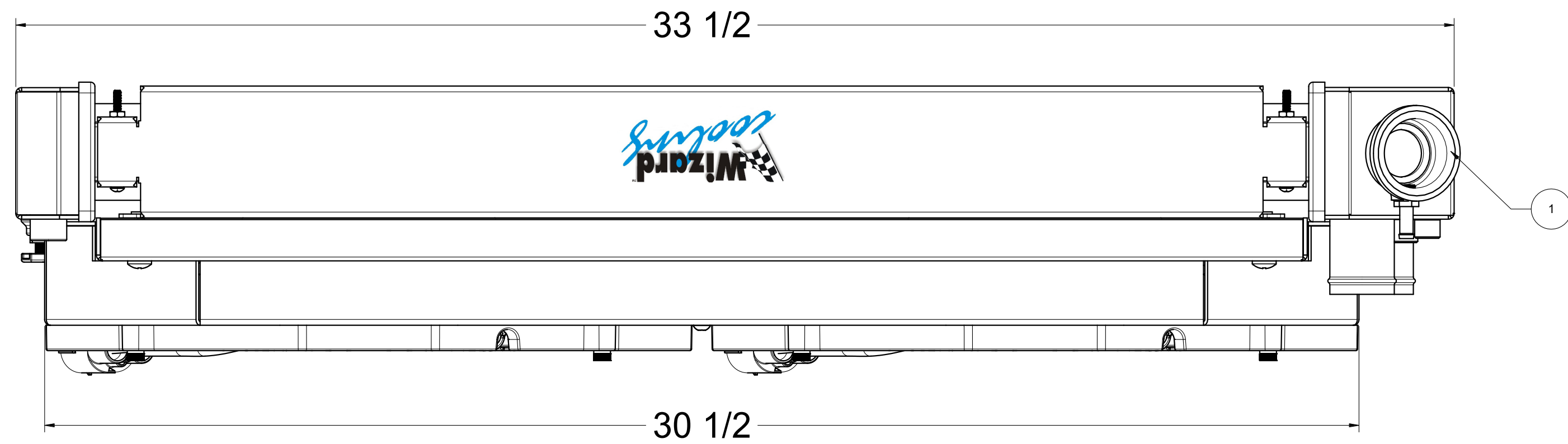


SKU #	Radiator DWG #	Radiator P/N	Transmission	Core Size	Shroud & Fan DWG #	Shroud & Fan P/N	Fan Type
1-361-112LTBL300	1-361-LT Radiator	1-361-110LT	Automatic	STANDARD (2 Rows of 1" Tubes)	1-366-002BL (Dual Chamber Shroud)	1-366-002BL300225	300W Brushless (14")
1-361-112LTBL500				1-366-002BL500225		500W Brushless (14")	
1-361-212LTBL300		1-361-210LT		UPGRADED (2 Rows of 1.25" Tubes)		1-366-002BL300275	300W Brushless (14")
1-361-212LTBL500				1-366-002BL500275		500W Brushless (14")	



Item Number	Quantity	Part Number	Part Name	Revision	Comment
1	1	See Table "Radiator P/N"	361 Radiator LT Swap (AT) Assembly		


 Custom Aluminum Radiators
www.wizardcooling.com

Contact Us:
716-655-6760

Part Number
1-361-LT Radiator
Automatic Transmission
&
1-366-002BL
(14" Fans)