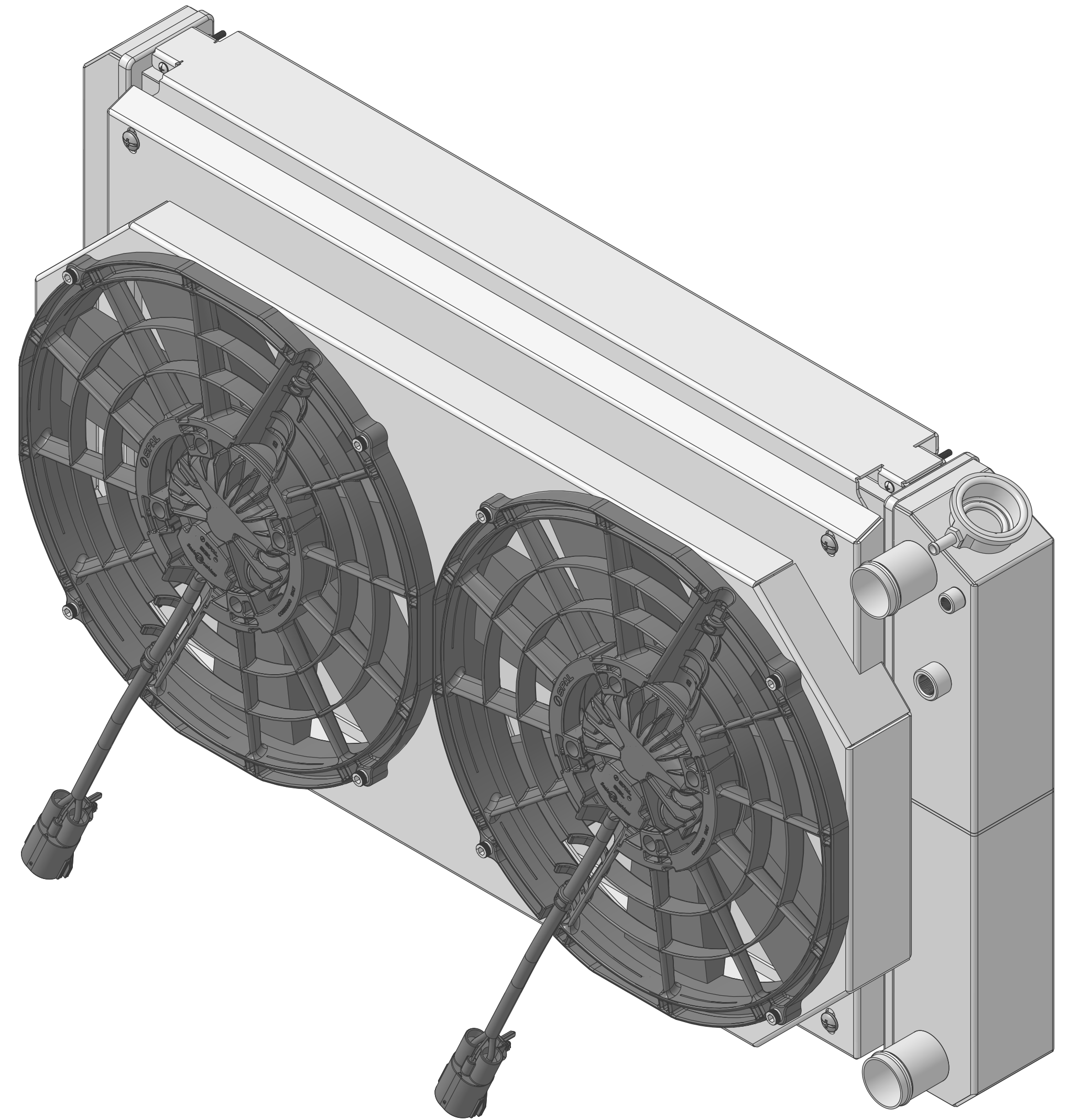
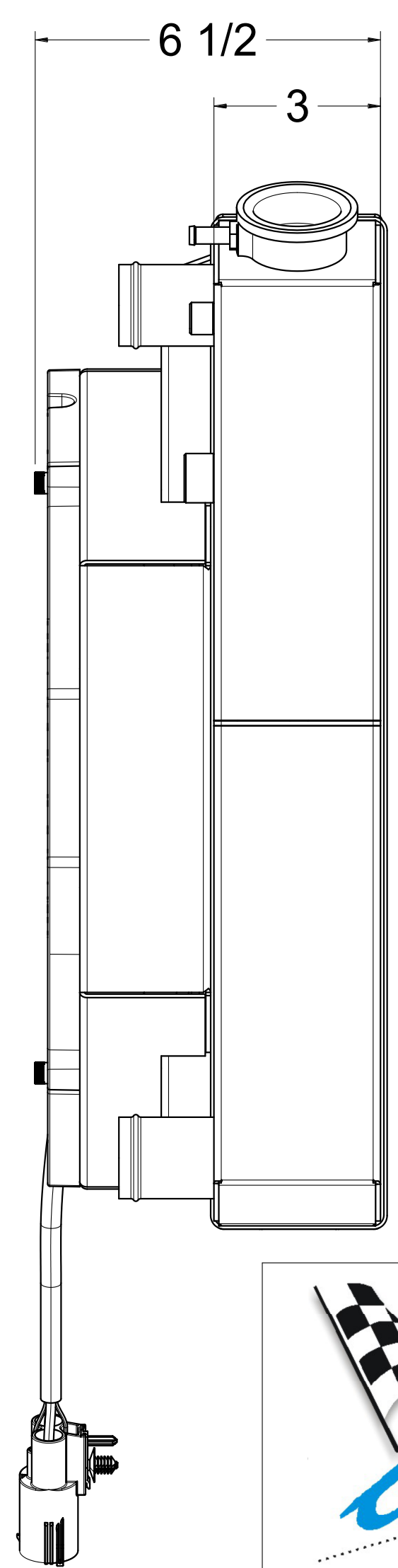
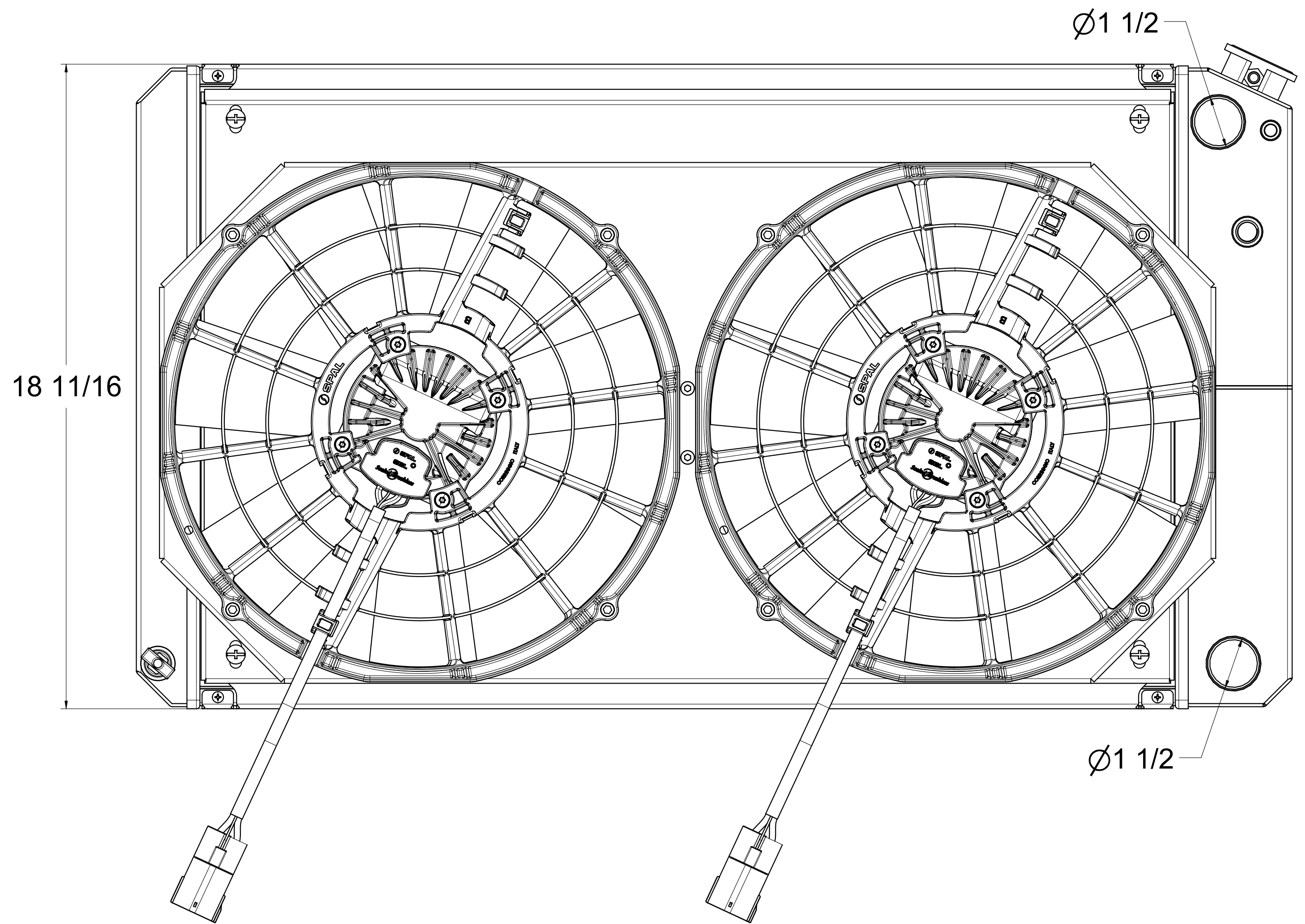
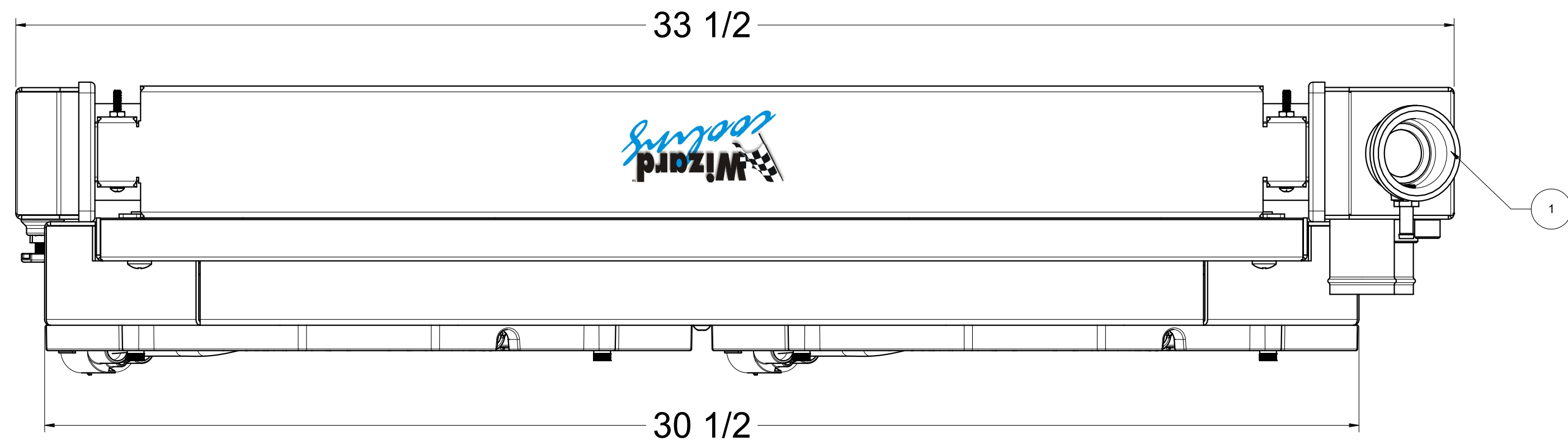


SKU #	Radiator DWG #	Radiator P/N	Transmission	Core Size	Shroud & Fan DWG #	Shroud & Fan P/N	Fan Type
1-361-102LTBL300	1-361-LT Radiator	1-361-100LT	Manual	STANDARD (2 Rows of 1" Tubes)	1-366-002BL (Dual Chamber Shroud)	1-366-002BL300225	300W Brushless (14")
1-361-102LTBL500				1-366-002BL500225		500W Brushless (14")	
1-361-202LTBL300		1-361-200LT		UPGRADED (2 Rows of 1.25" Tubes)		1-366-002BL300275	300W Brushless (14")
1-361-202LTBL500				1-366-002BL500275		500W Brushless (14")	



Item Number	Quantity	Part Number	Part Name	Revision	Comment
1	1	See Table "Radiator P/N"	361 Radiator LT Swap (MT) Assembly		

**Wizard**  
*cooling*  
Custom Aluminum Radiators  
www.wizardcooling.com

Contact Us:  
716-655-6760

Part Number  
1-361-LT Radiator  
Manual Transmission  
&  
1-366-002BL  
(14" Fans)