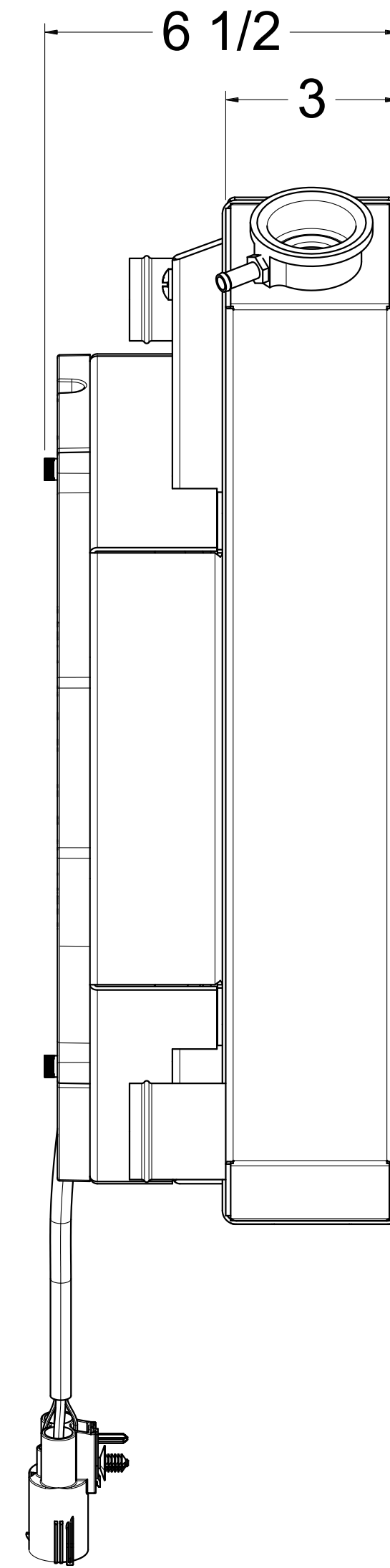
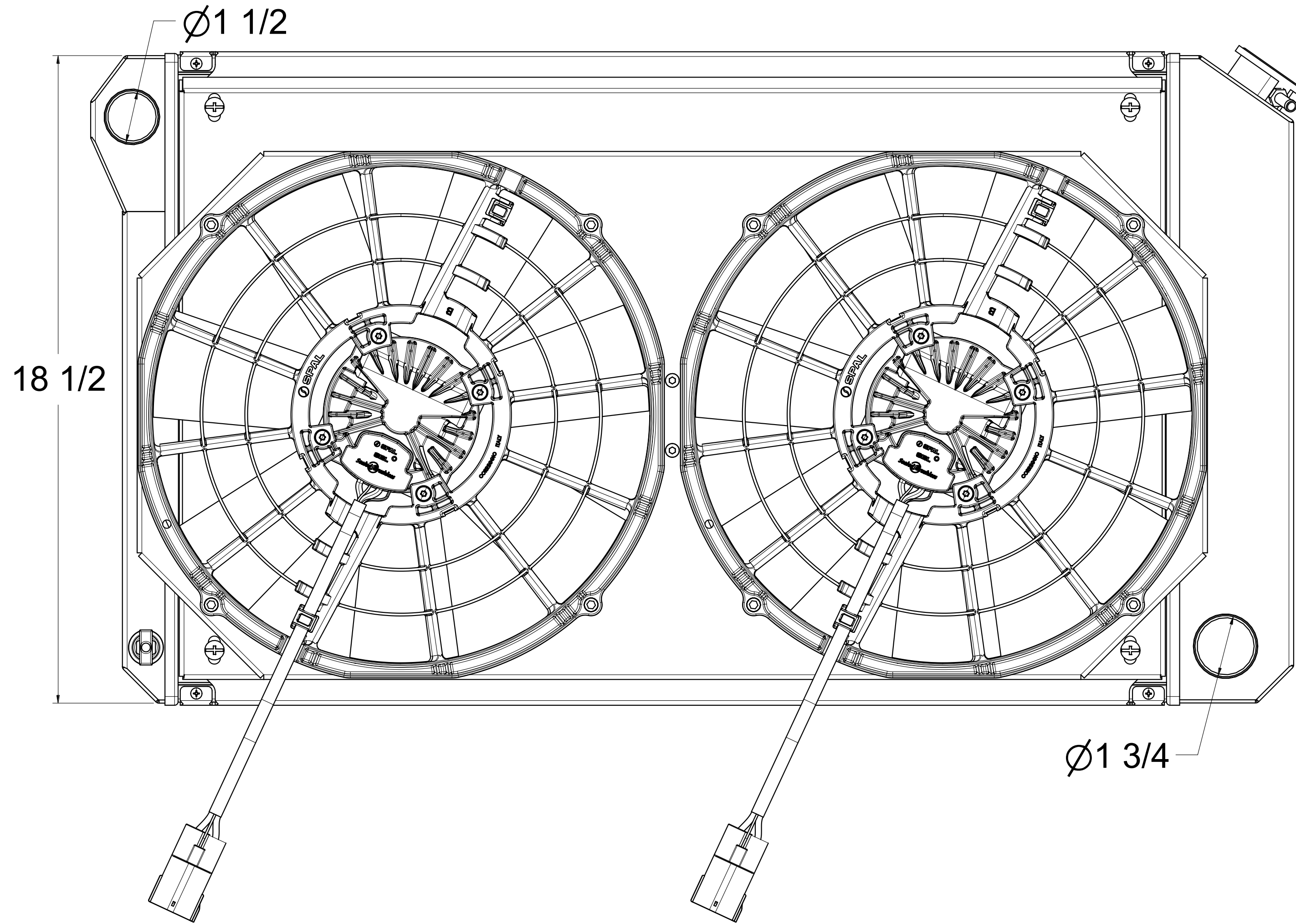
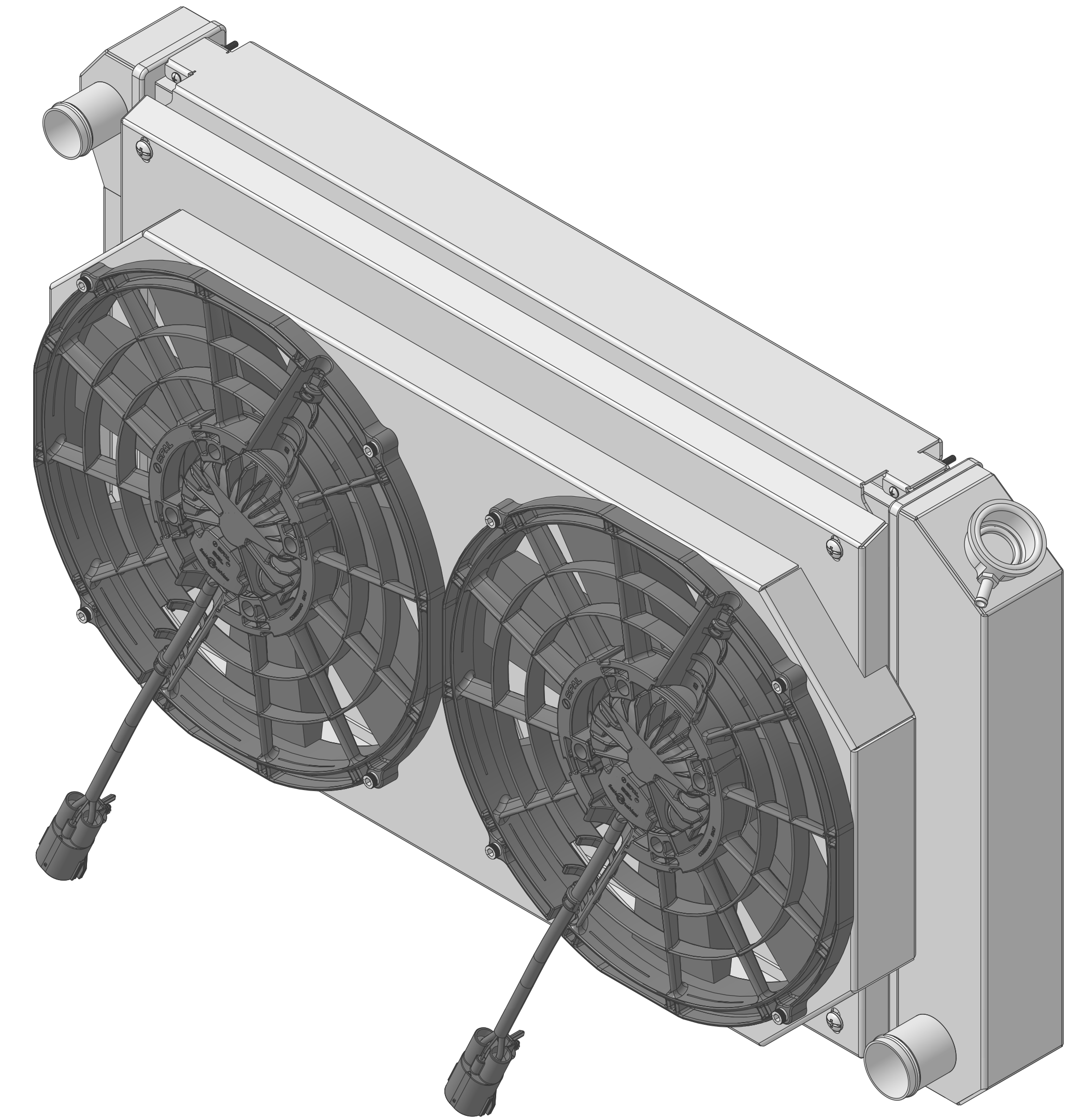



REV		DESCRIPTION	DATE	APPROVED

SKU #	Radiator DWG #	Radiator P/N	Transmission	Core Size	Shroud & Fan DWG #	Shroud & Fan P/N	Fan Type
1-361-102BL300	1-361-Radiator	1-361-100	Manual	STANDARD (2 Rows of 1" Tubes)	1-366-002BL (Dual Chamber Shroud)	1-366-002BL300225	300W Brushless (14")
1-361-102BL500						1-366-002BL500225	500W Brushless (14")
1-361-202BL300		1-361-200		UPGRADED (2 Rows of 1.25" Tubes)		1-366-002BL300275	300W Brushless (14")
1-361-202BL500						1-366-002BL500275	500W Brushless (14")



Item Number	Quantity	Part Number	Part Name	Revision	Comment
1	1	See Table "Radiator P/N"	361 Radiator Swap (MT) Assembly		

 Custom Aluminum Radiators	DRAWN	RM	DATE	09/10/25	Title: 1-361-Radiator Manual Transmission & 1-366-002BL (14" Fans)
	CHECKED				
	QA				
	MFG				
APPROVED					SIZE: D FSCM NO.: DWG NO.: SCALE: 1:1 SHEET: