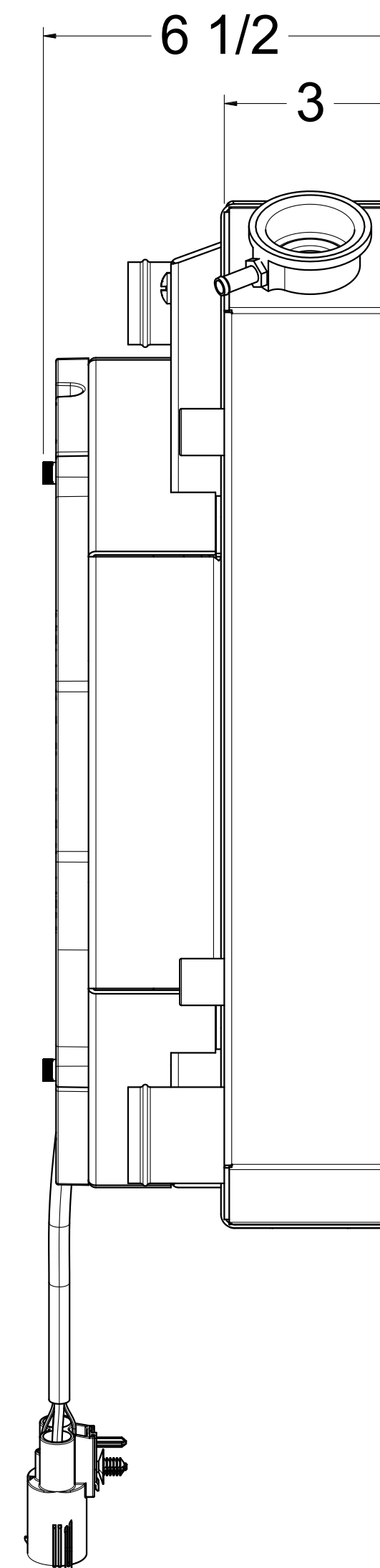
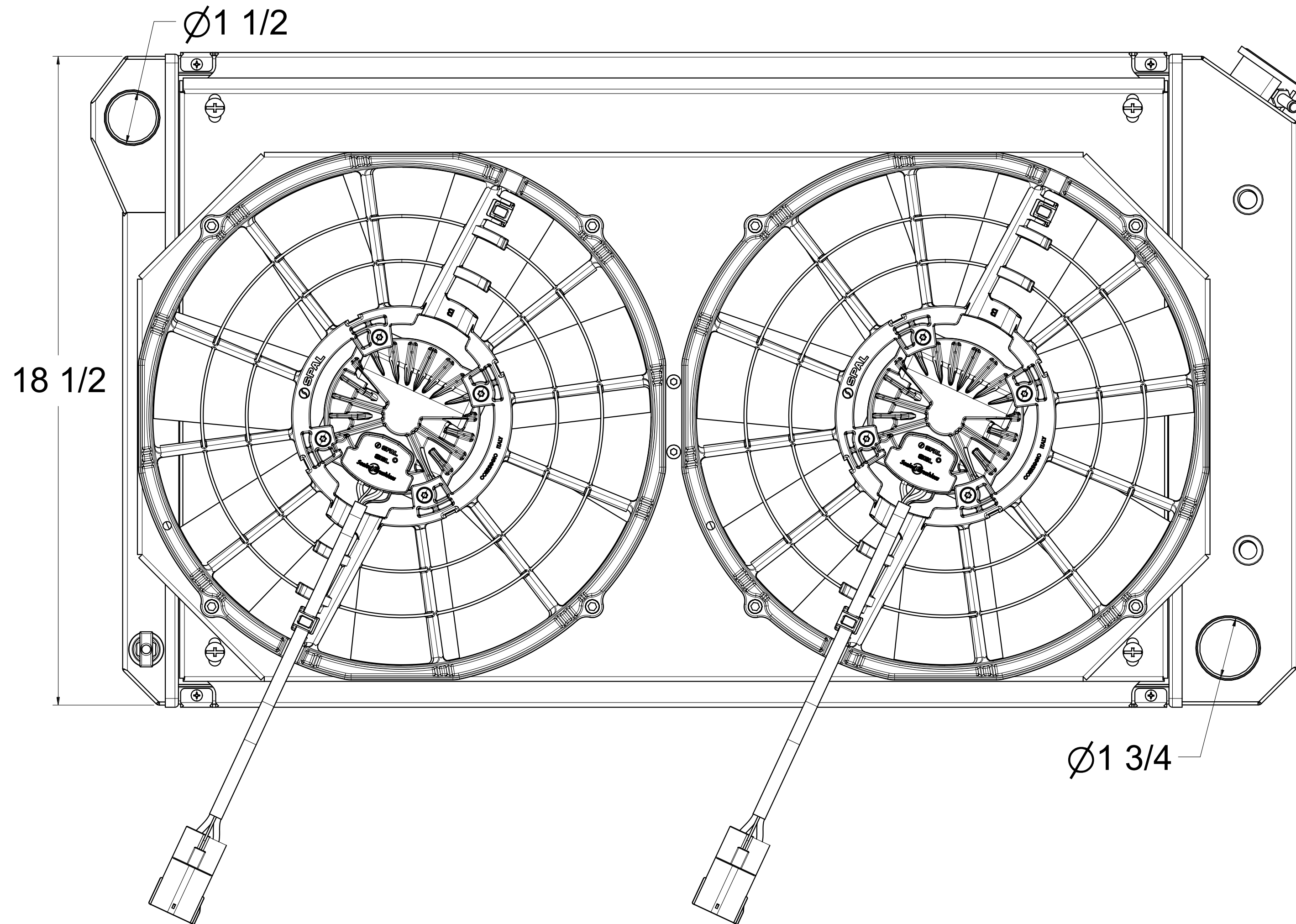



REVISES		DATE	APPROVED
ZONE	REV	DESCRIPTION	

SKU #	Radiator DWG #	Radiator P/N	Transmission	Core Size	Shroud & Fan DWG #	Shroud & Fan P/N	Fan Type
1-361-112BL300	1-361-Radiator	1-361-110	Automatic	STANDARD (2 Rows of 1" Tubes)	1-366-002BL (Dual Chamber Shroud)	1-366-002BL300225	300W Brushless (14")
1-361-112BL500						1-366-002BL500225	500W Brushless (14")
1-361-212BL300		1-361-210		UPGRADED (2 Rows of 1.25" Tubes)		1-366-002BL300275	300W Brushless (14")
1-361-212BL500						1-366-002BL500275	500W Brushless (14")



Item Number	Quantity	Part Number	Part Name	Revision	Comment
1	1	See Table "Radiator P/N"	361 Radiator Swap (AT) Assembly		

 <b>Wizard</b> <i>cooling</i> Custom Aluminum Radiators	DRAWN	DATE	Title: <b>1-361-Radiator Automatic Transmission &amp; 1-366-002BL (14" Fans)</b>			
	RM	09/10/25				
	CHECKED					
	QA					
MFG			SIZE	FSCM NO.	DWG NO.	REV
APPROVED			D			-
SCALE 1:1			SHEET			