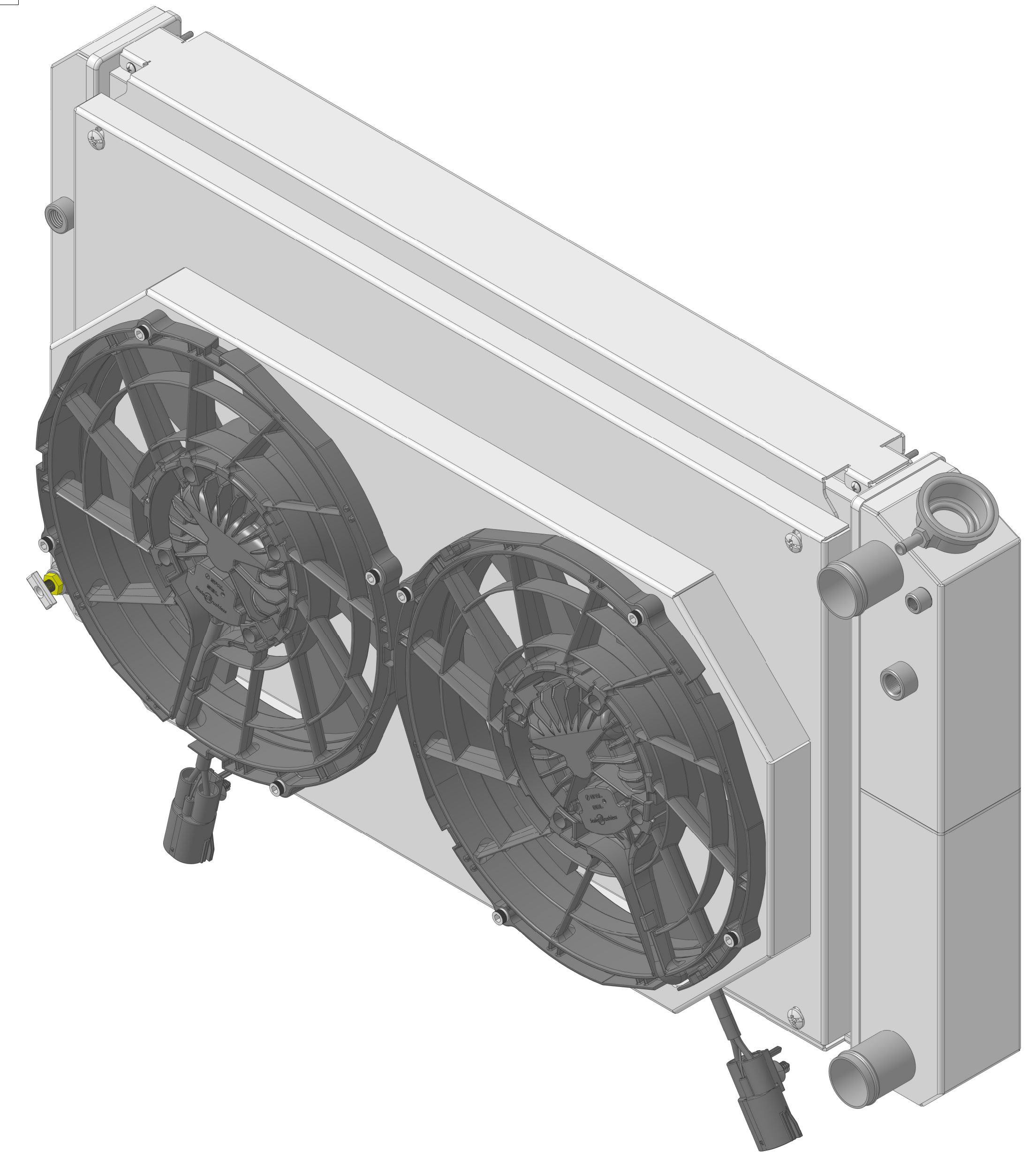
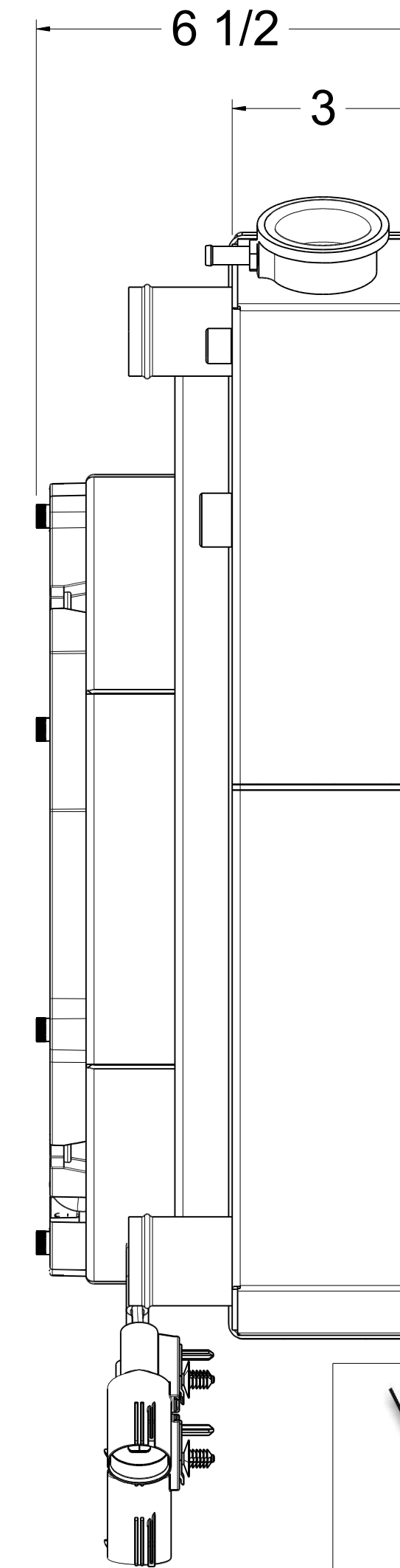
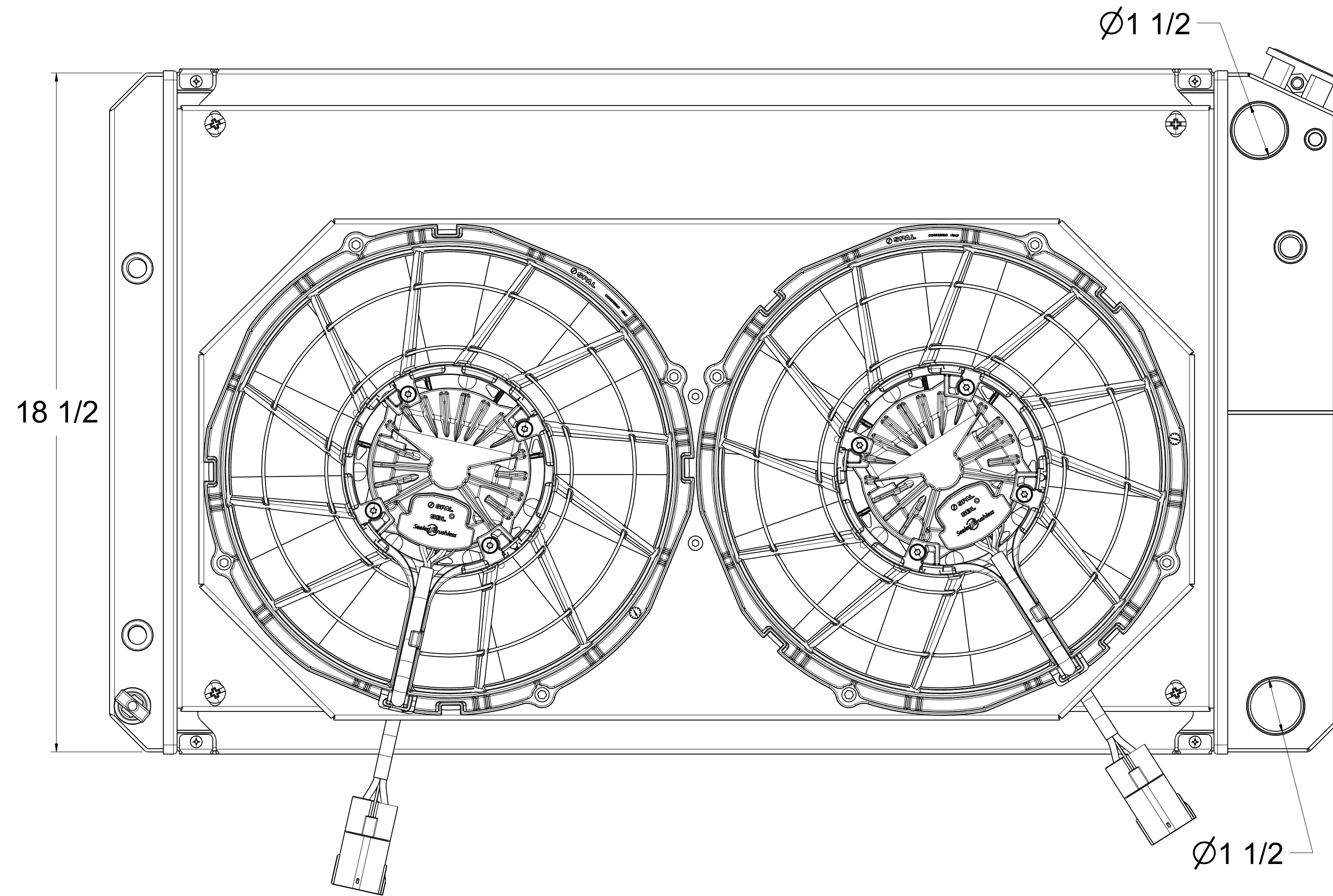


SKU #	Radiator DWG #	Radiator P/N	Transmission	Core Size	Shroud & Fan DWG #	Shroud & Fan P/N	Fan Type
1-361-112LTBL	1-361-LT Radiator	1-361-110LT	Automatic	STANDARD (2 Rows of 1" Tubes)	1-361-002BL (Dual Chamber Shroud)	1-361-002BL225	12" 300 Watt Brushless
1-361-212LTBL		1-361-210LT		UPGRADED (2 Rows of 1.25" Tubes)		1-361-002BL275	



Item Number	Quantity	Part Number	Part Name	Revision	Comment
1	1	See Table "Radiator P/N"	361 Radiator LT Swap (AT) Assembly		
2	1	See Table "Shroud & Fan P/N"	361 Dual Brushless Fan Shroud Assembly		


 Custom Aluminum Radiators
www.wizardcooling.com

Contact Us:
716-655-6760

Part Number
1-361-LT Radiator
Automatic Transmission
&
1-361-002BL
(12" Fans)