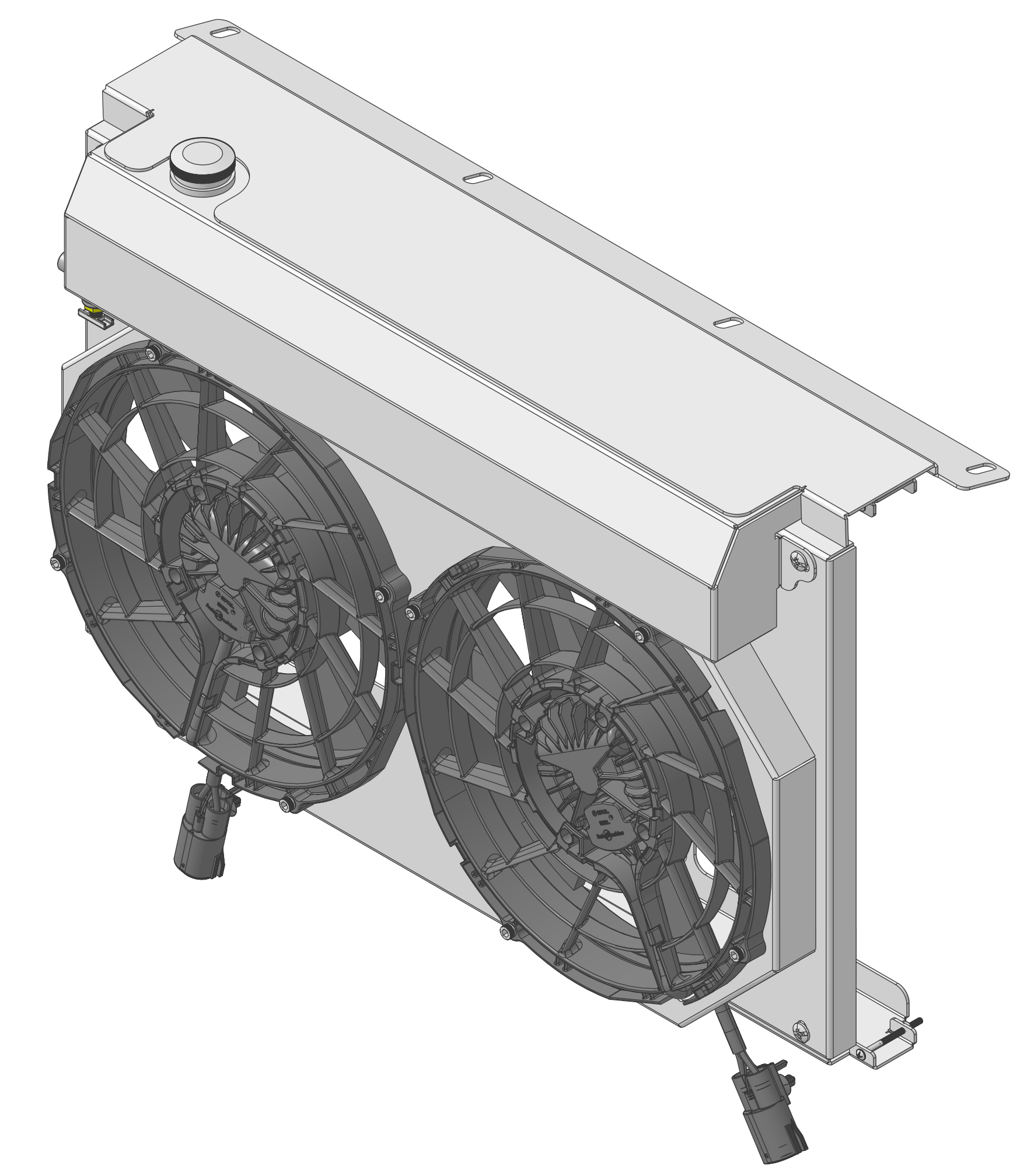
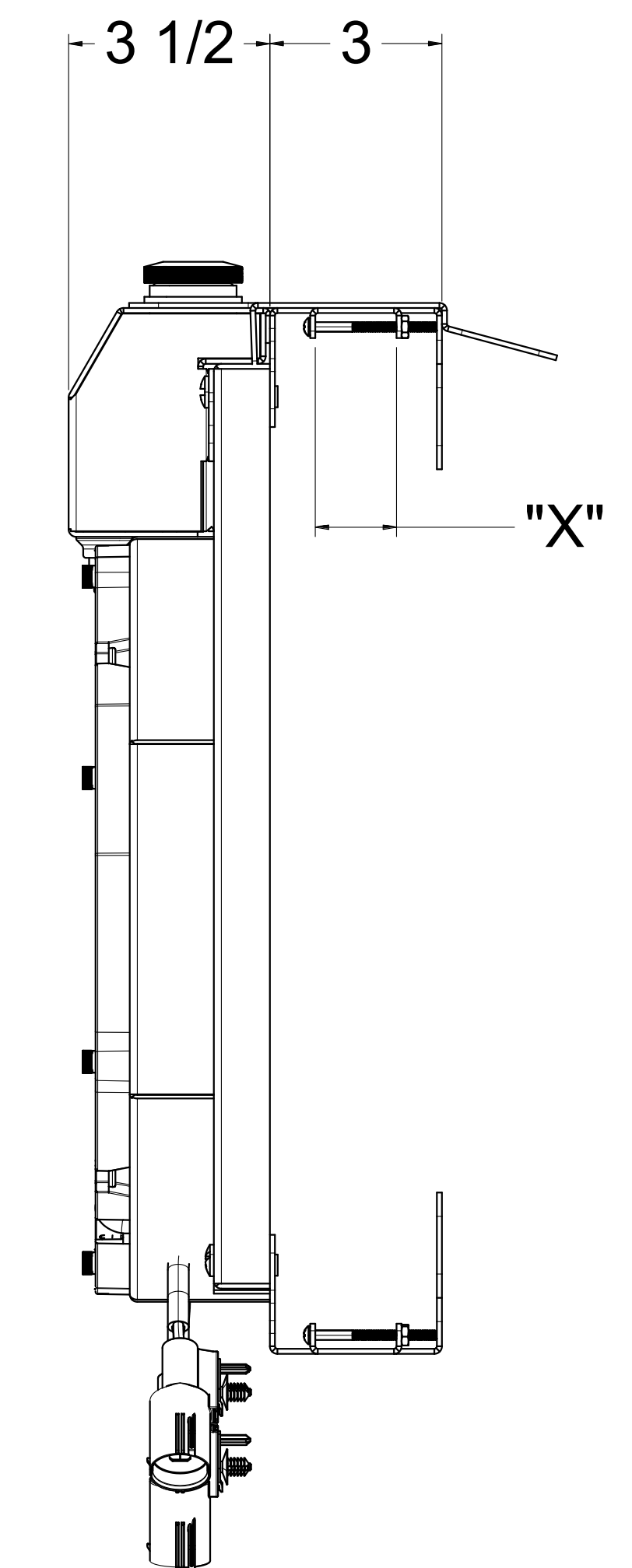
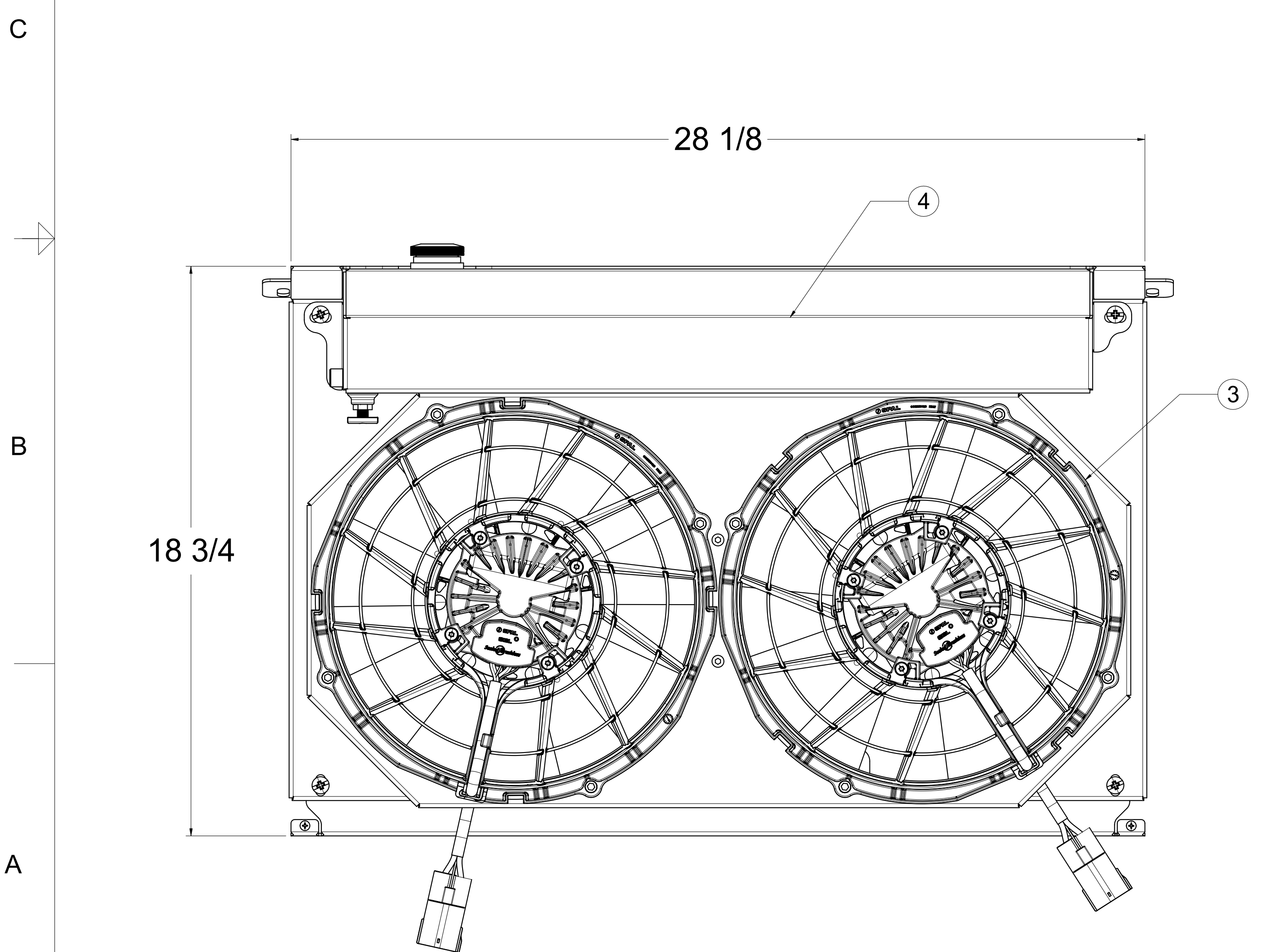
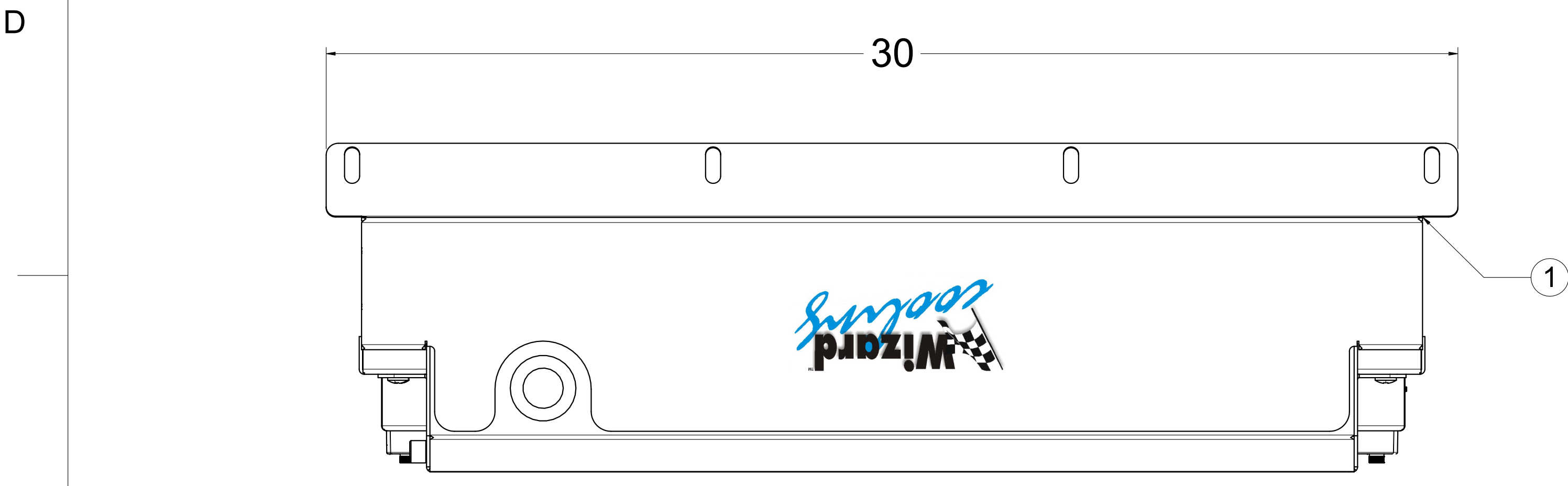


REVISIONS				
ZONE	REV	DESCRIPTION	DATE	APPROVED

SKU #	Shroud & Fan Dwg #	Shroud & Fan #	Dimension "X"	Core Mount Series	Expansion Tank #
1-361-002BL300225XL	1-361-002BL (12")	1-361-002BL225	1 7/16"	-100 (Standard)	1-361-000XL
1-361-002BL300275XL		1-361-002BL275	1 7/8"	-200 (Upgraded)	



Item Number	Quantity	Part Number	Part Name	Revision	Comment
1	1	4-06170	Top Plate (LH)		
2	2	1-361-Channels	Top & Bottom Channel Assembly		
3	1	1-361-002BL	Dual 12" Brushless Fan Shroud		
4	1	1-361-000XL	Expansion Tank (Left Drain)		

	DRAWN	SH	DATE	7-28-25	Dual 12" Brushless Shroud & Single Tank (Left Drain)		
	CHECKED				Title: 1-361-002BLXL (12") & 1-361-Channels		
	QA				SIZE	FSCM NO.	DWG NO.
	MFG				D		
APPROVED				SCALE	1:1		SHEET