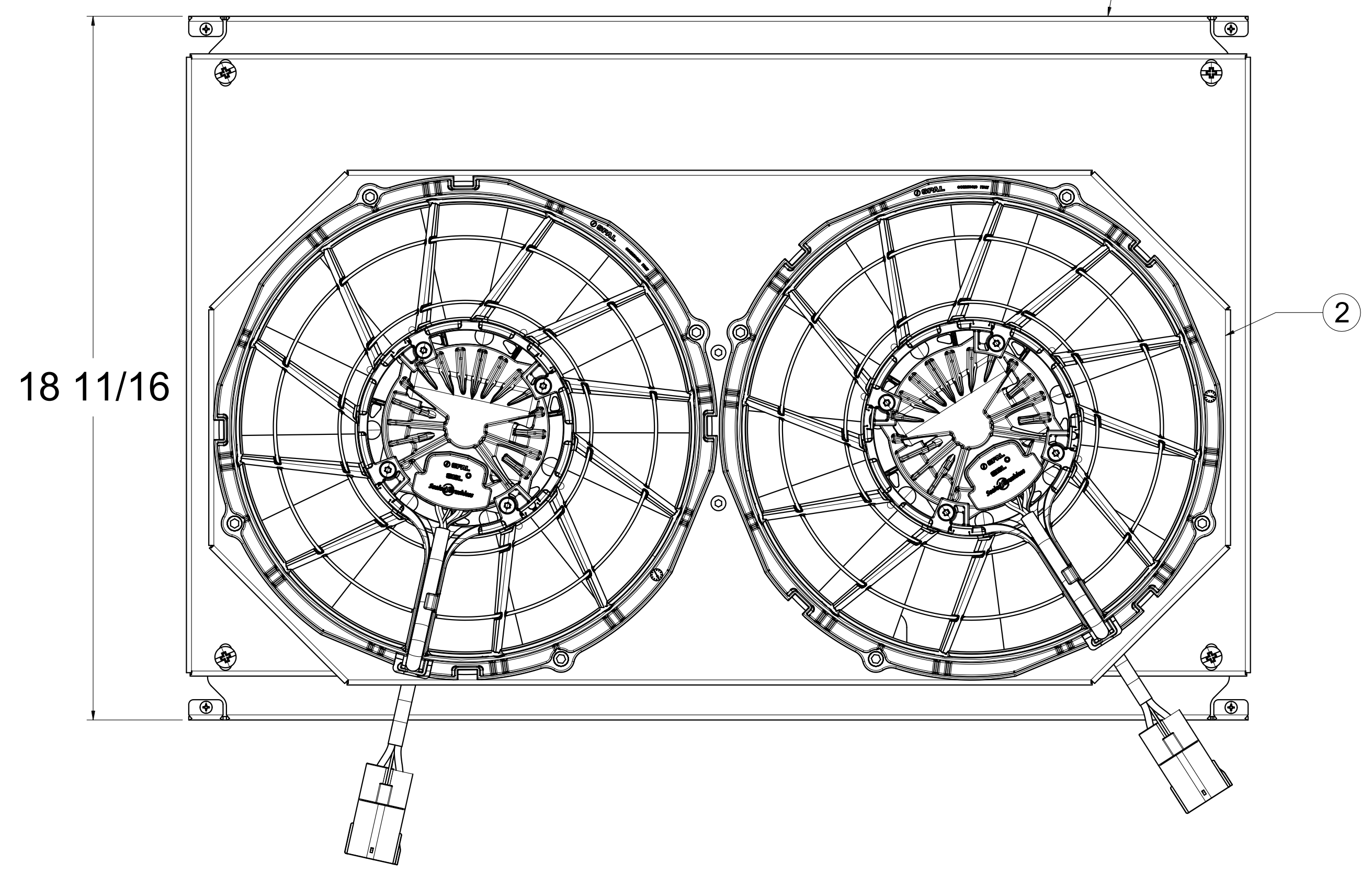
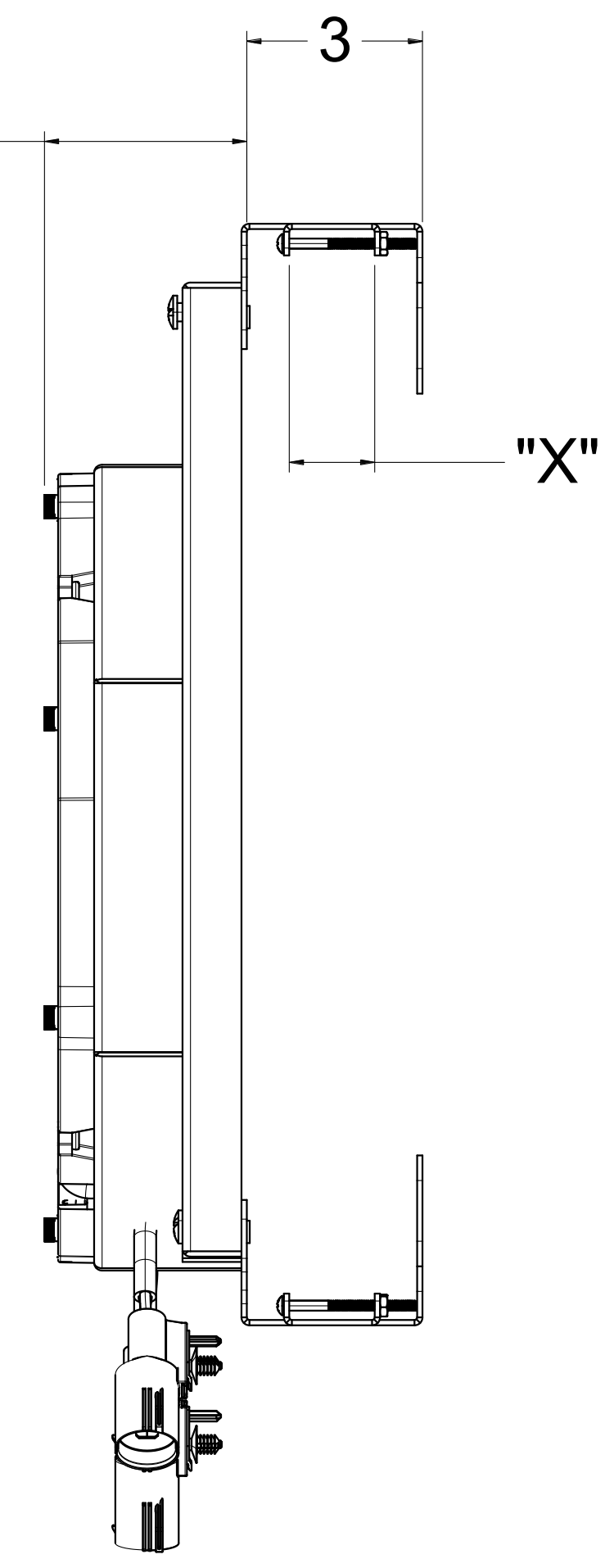
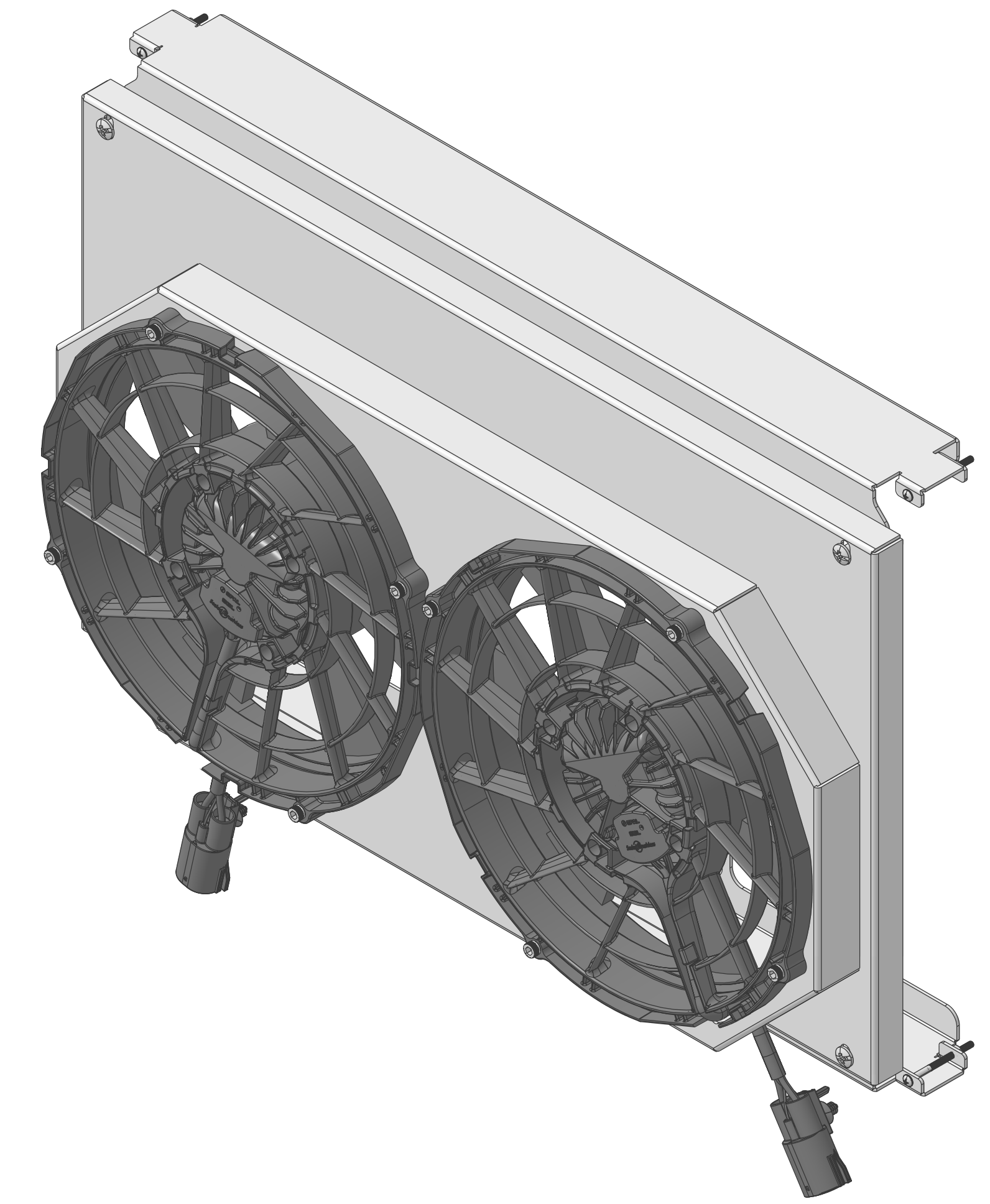
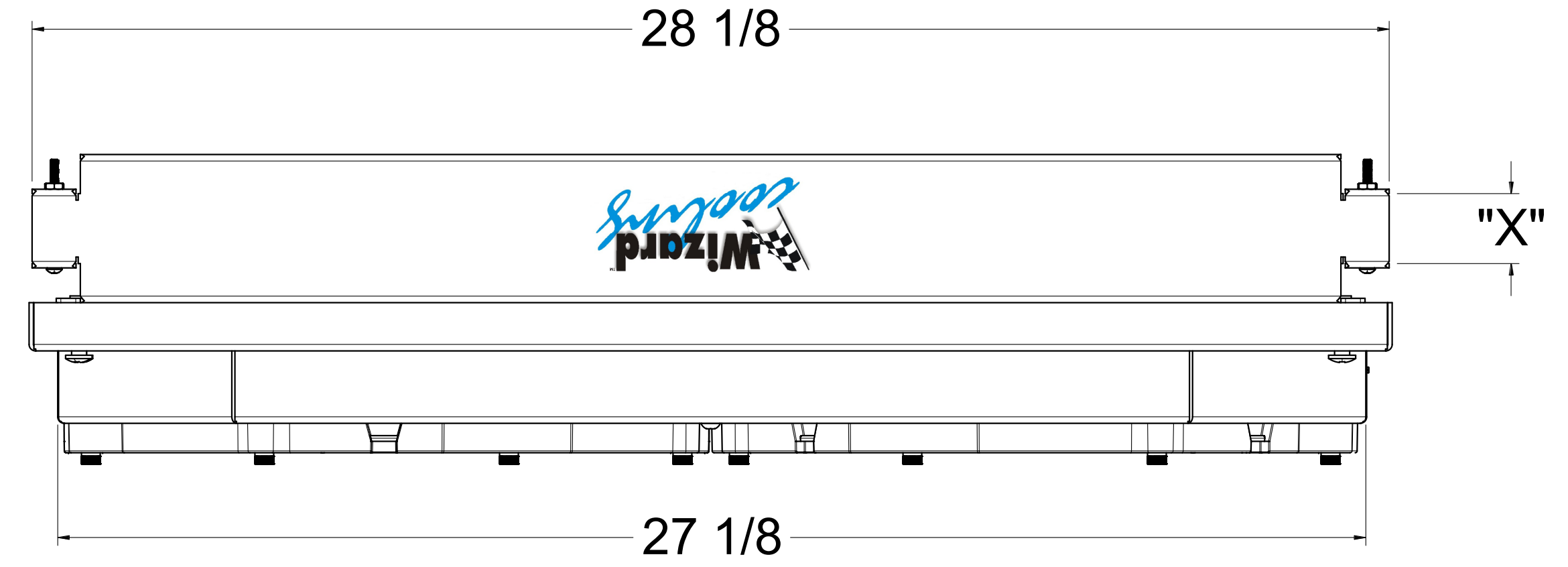


ZONE		REV	DESCRIPTION	DATE	APPROVED

Shroud & Fan P/N	Channel Dwg #	Dimension "X"	Channel P/N
1-361-002BL300225	1-361-Channels	1 7/16"	1-361-Channel-100 (Standard)
1-361-002BL300275		1 7/8"	1-361-Channel-200 (Upgraded)



Item Number	Quantity	Part Number	Part Name	Revision	Comment
1	2	1-361-Channels	Top & Bottom Channel		See Table
2	1	1-361-002BL	Dual 12 Inch Fan Station		

	DRAWN	SH	DATE	7-28-25	Shroud - Dual 12" Brushless Title: 1-361-002BL (12") & 1-361-Channels		
	CHECKED						
	QA				SIZE	D	
	MFG				FSCM NO.		
APPROVED				DWG NO.		REV	-
				SCALE	1:1	SHEET	