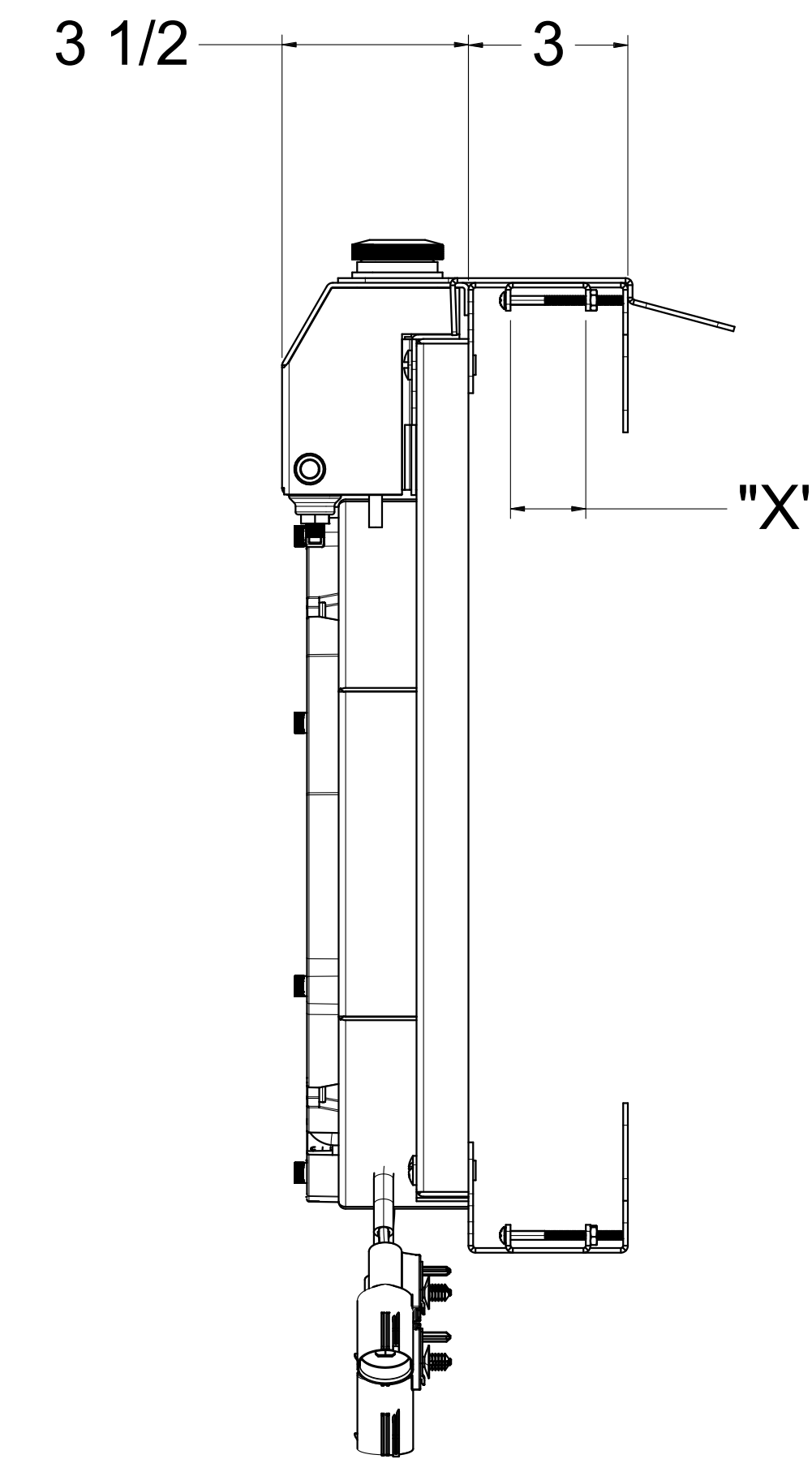
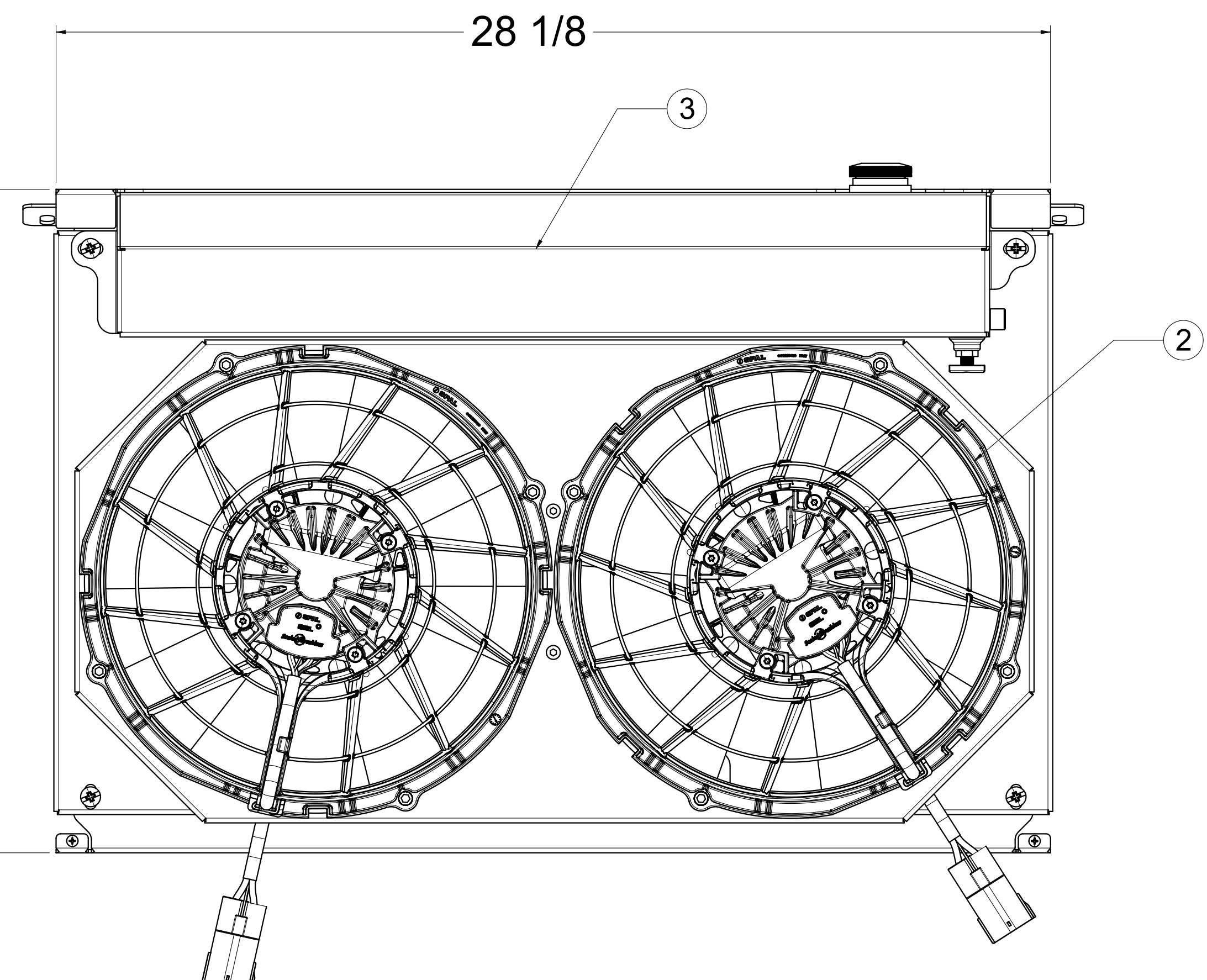
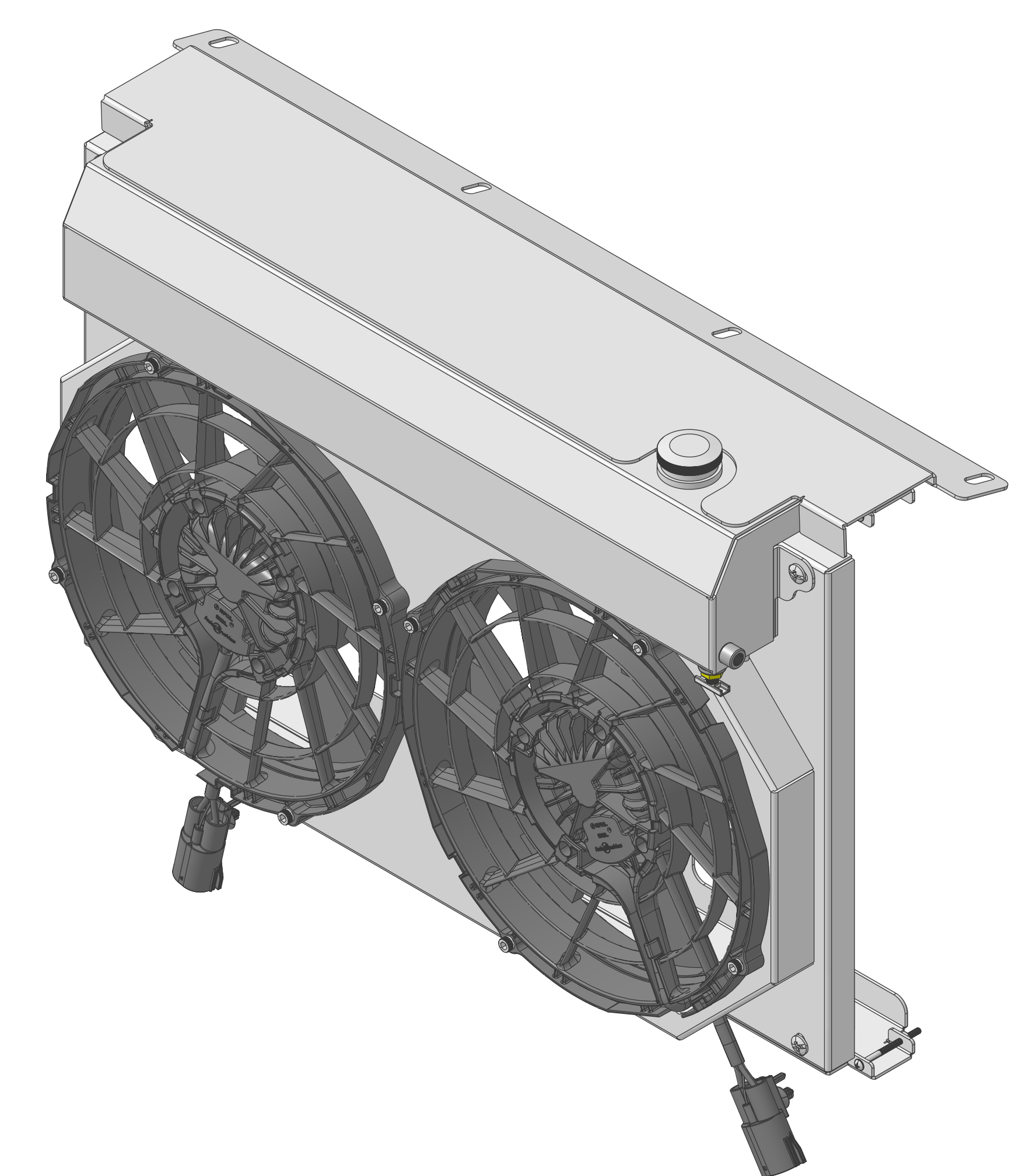
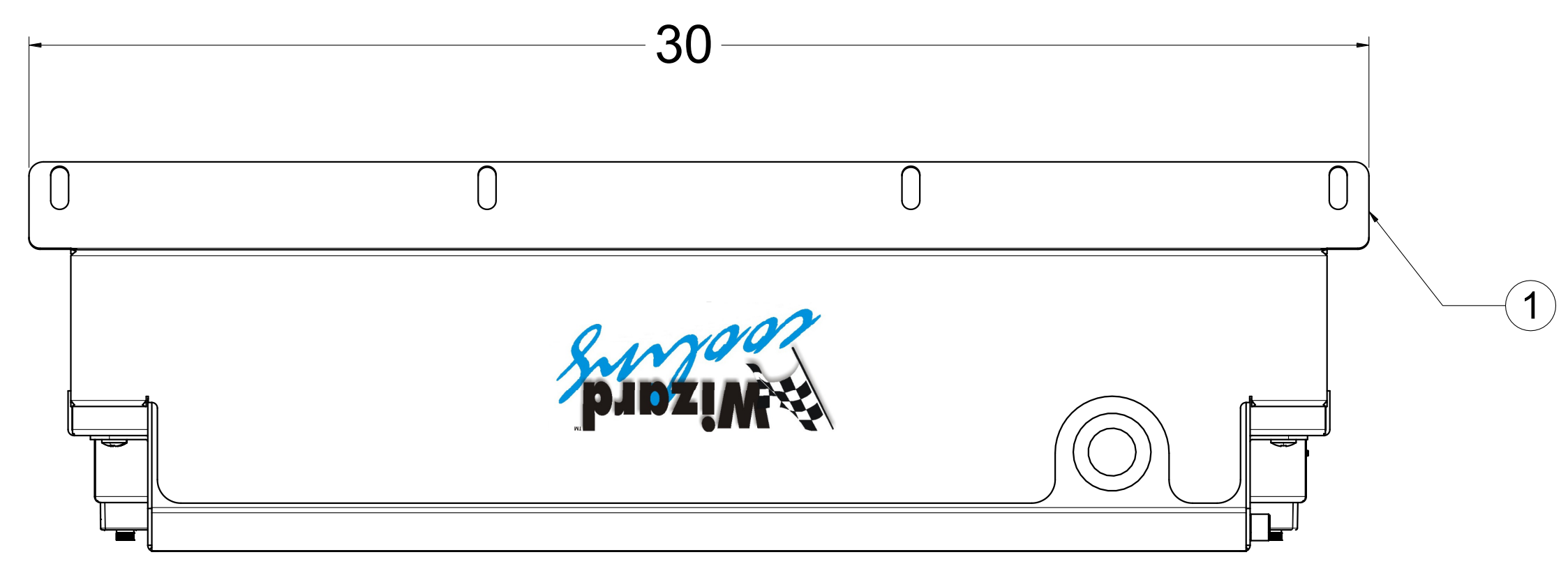


REVISIONS				
ZONE	REV	DESCRIPTION	DATE	APPROVED

SKU #	Shroud & Fan Dwg #	Shroud & Fan #	Dimension "X"	Core Mount Series	Expansion Tank #
1-361-002BL300225XR	1-361-002BL (12")	1-361-002BL225	1 7/16"	-100 (Standard)	1-361-000XL
1-361-002BL300275XR		1-361-002BL275	1 7/8"	-200 (Upgraded)	



Item Number	Quantity	Part Number	Part Name	Revision	Comment
1	1	4-06171	Top Plate (RH)		
2	2	1-361-002BL	Dual 12" Brushless Fan Shroud		
3	1	1-361-000XR	Expansion Tank (Right Drain)		
4	2	1-361-Channels	Top & Bottom Channel Assembly		

	DRAWN SH	DATE	Dual 12" Brushless Shroud & Single Tank (Right Drain)		
	CHECKED	7-28-25	Title: 1-361-002BLXR (12") & 1-361-Channels		
	QA		SIZE	FSCM NO.	DWG NO.
	MFG		D		
APPROVED		SCALE	1:1	SHEET	