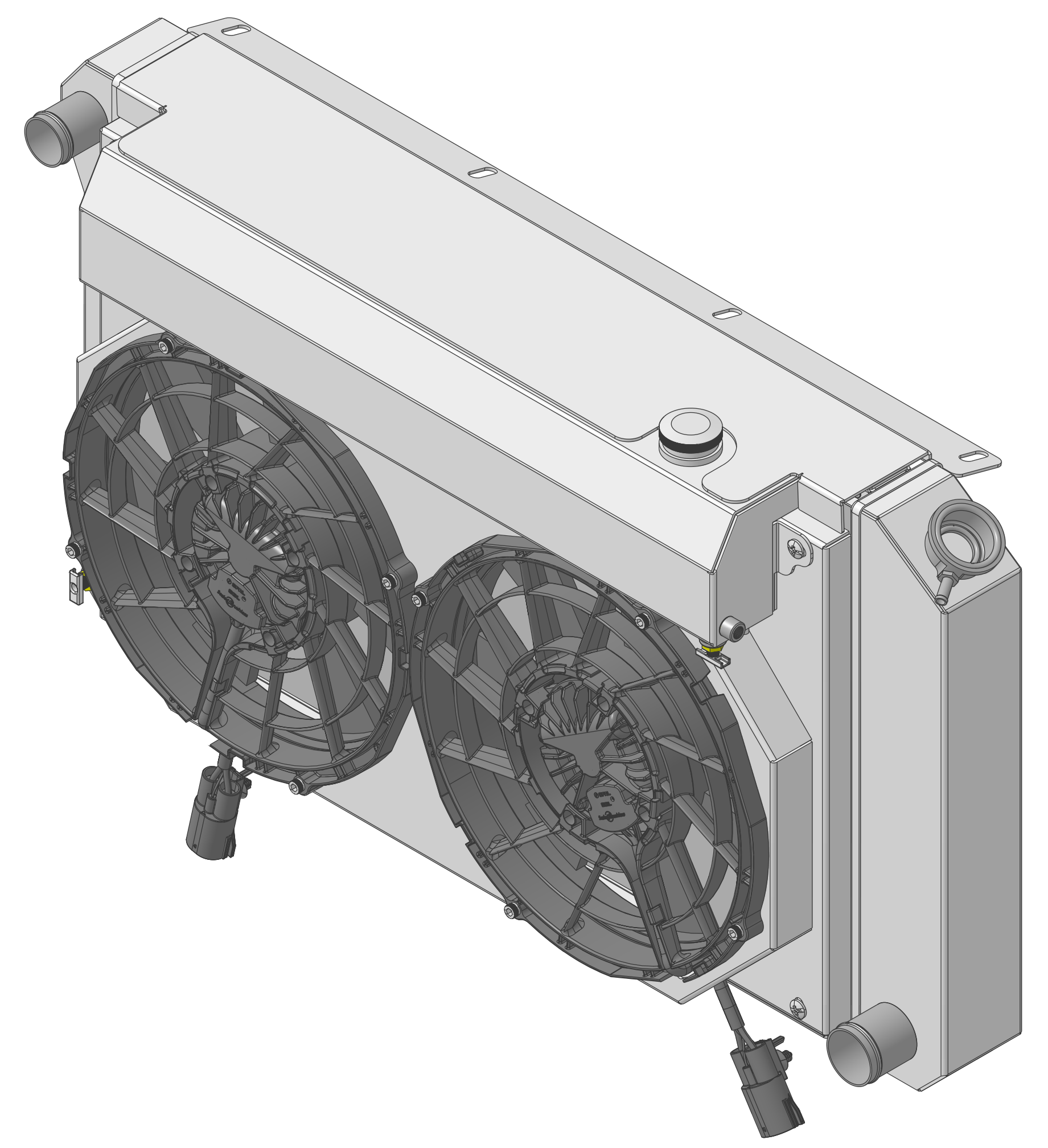
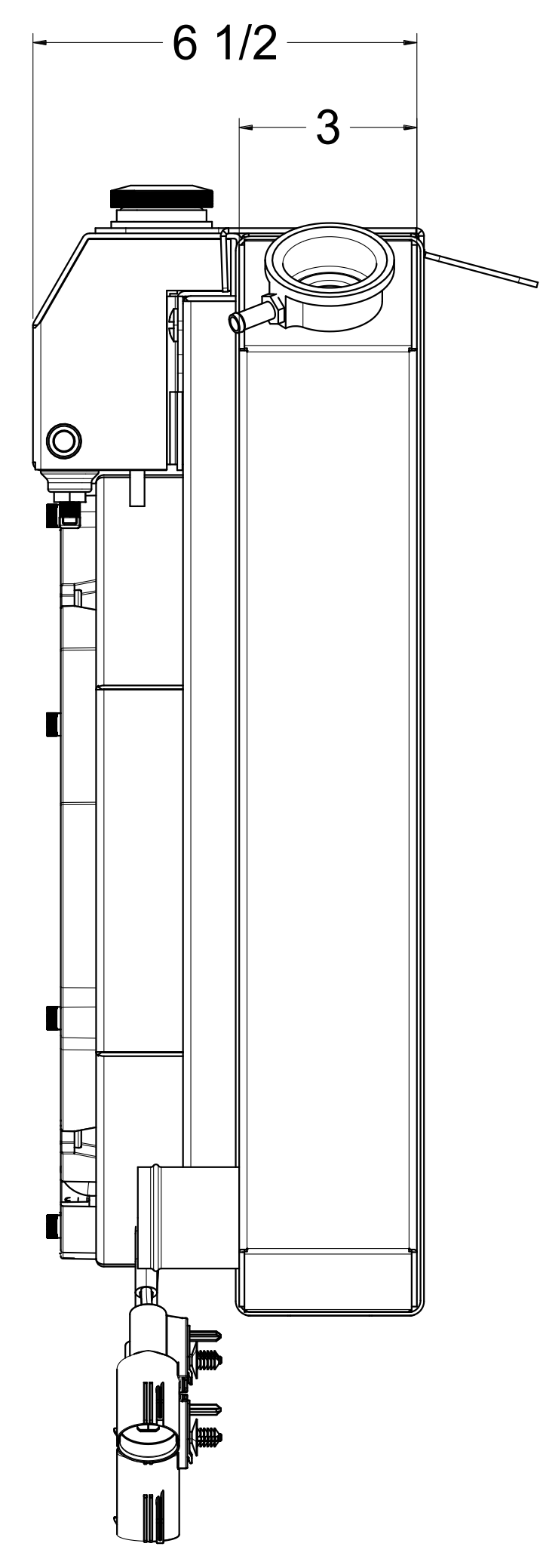
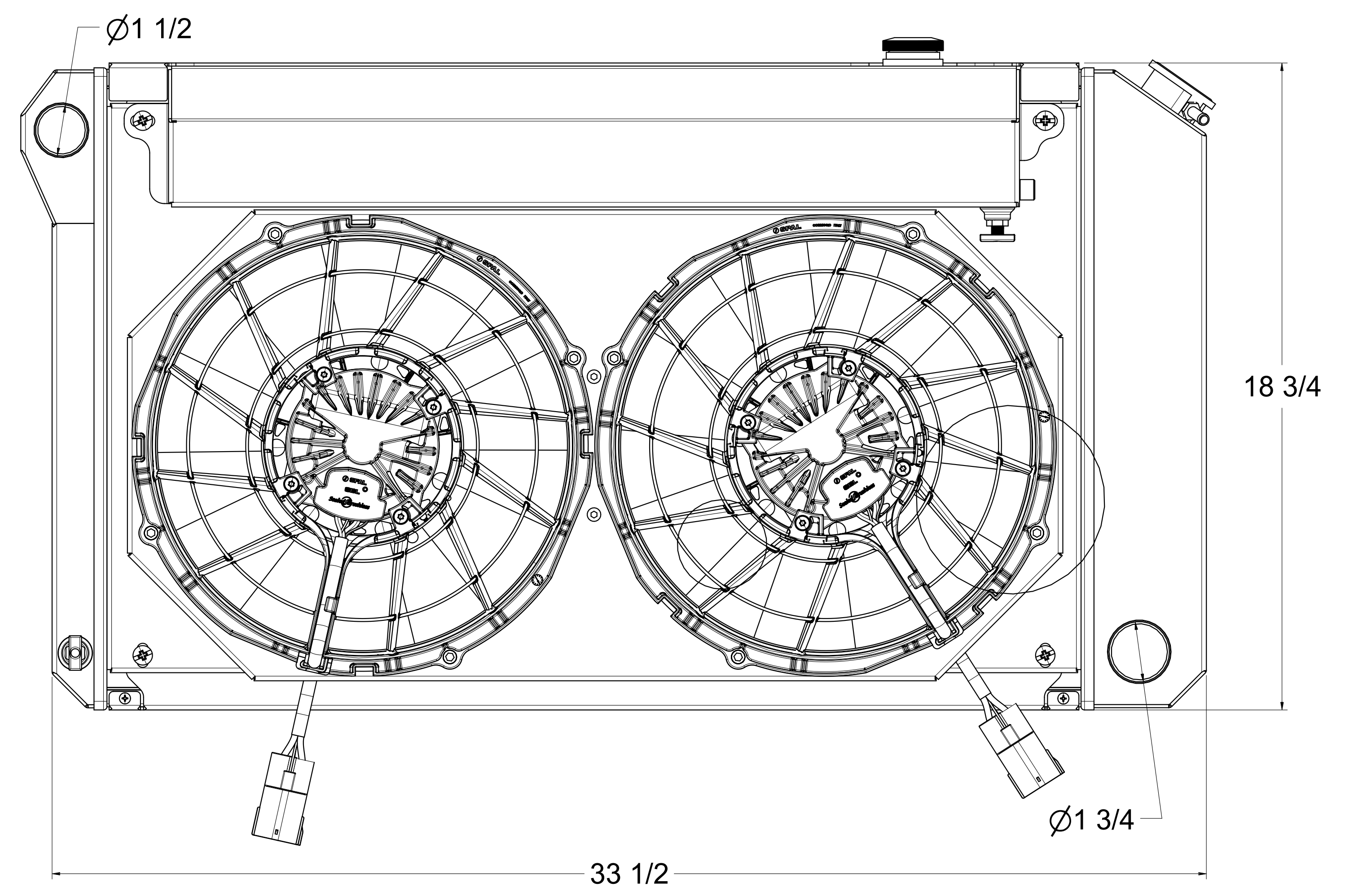
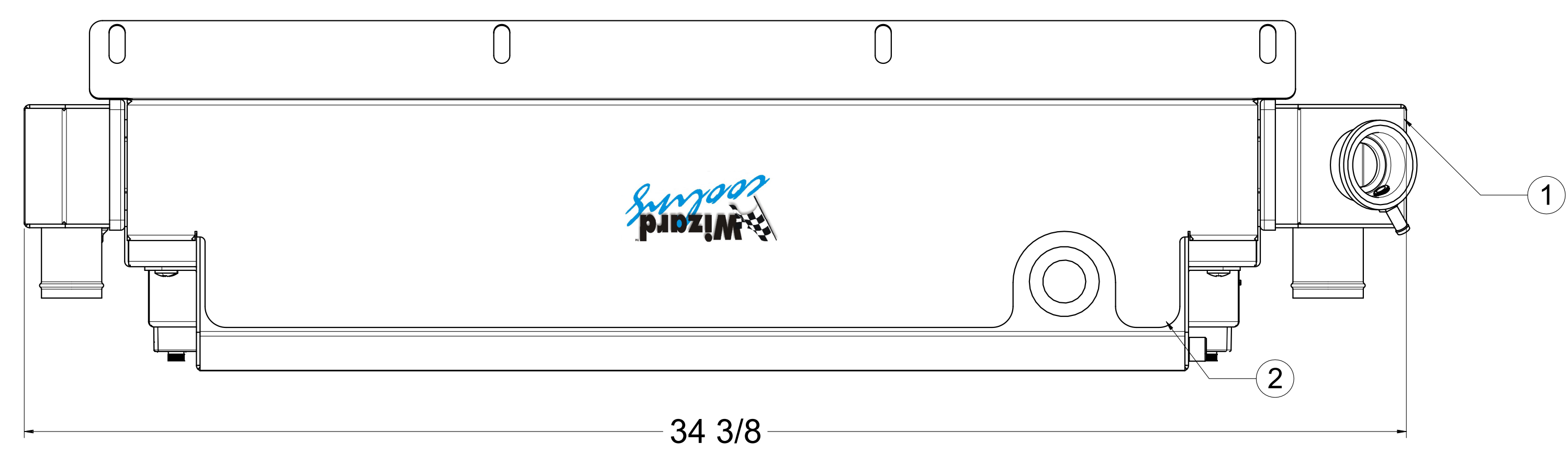


REVISIONS				
ZONE	REV	DESCRIPTION	DATE	APPROVED

SKU #	Radiator DWG #	Radiator P/N	Transmission	Core Size	Shroud, Fan & X Tank DWG #	Shroud, Fan & X Tank P/N	Fan Type
1-361-102BLXR	1-361-Radiator	1-361-100	Manual	Standard (2 Rows Of 1" Tubes)	1-361-002BLXR & 1-361-Channels	1-361-002BL300225XR	12" 300 Watt Brushless
1-361-202BLXR		1-361-200		Upgraded (2 Rows Of 1.25" Tubes)		1-361-002BL300275XR	



Item Number	Quantity	Part Number	Part Name	Revision	Comment
1	1	See Table "Radiator P/N"	361 Radiator MT Assembly		
2	1	See Table "Shroud, Fan & X Tank P/N"	361 BL Fan Shroud w/ Expansion Tank (XR)		

	DRAWN	RM	DATE	09/12/25
	CHECKED			
	QA			
	MFG			
APPROVED				

Title:		1-361-Radiator Manual Transmission & 1-361-002BLXR	
SIZE	D	FSCM NO.	
SCALE	1:1	DWG NO.	
		REV	-