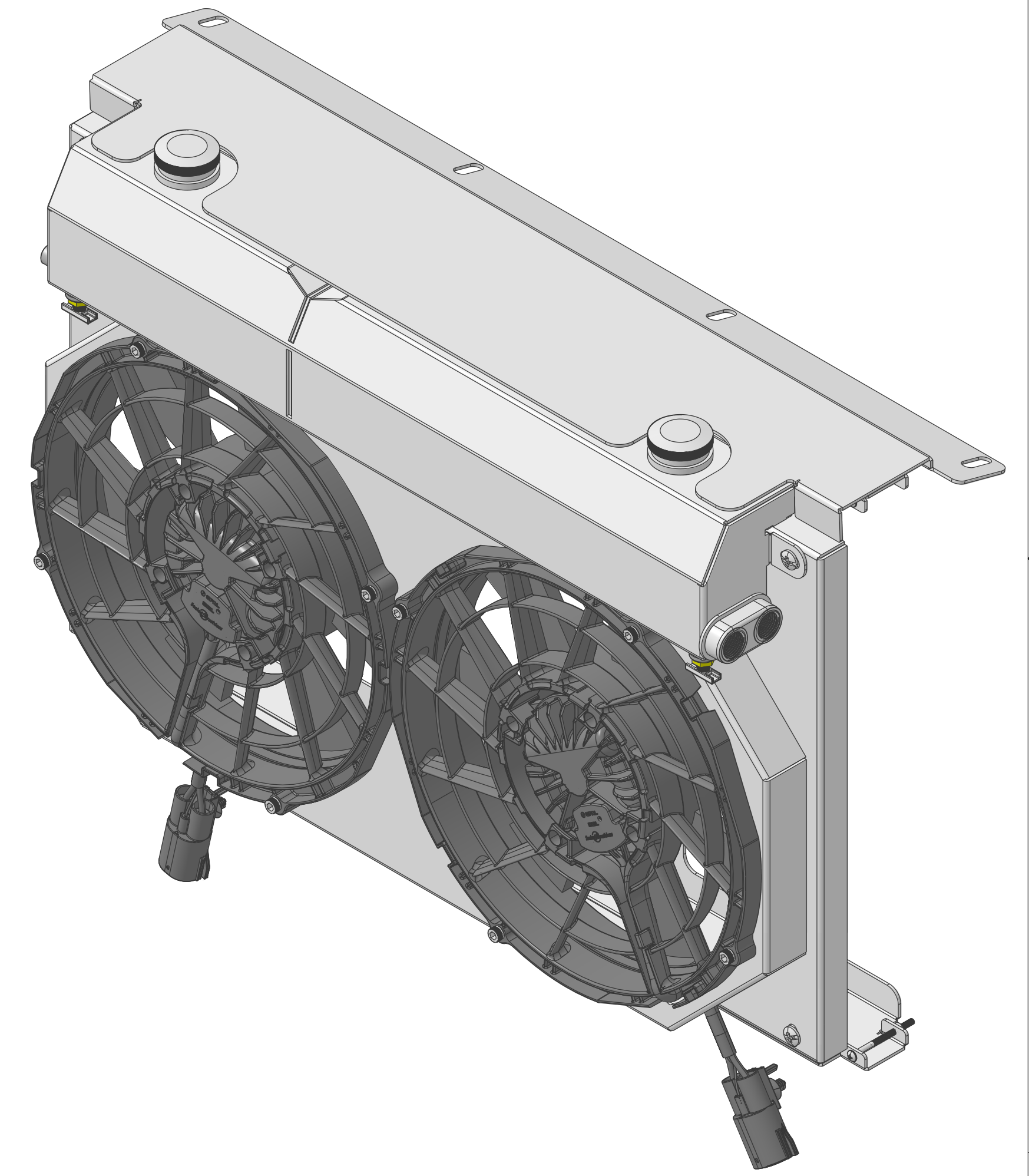
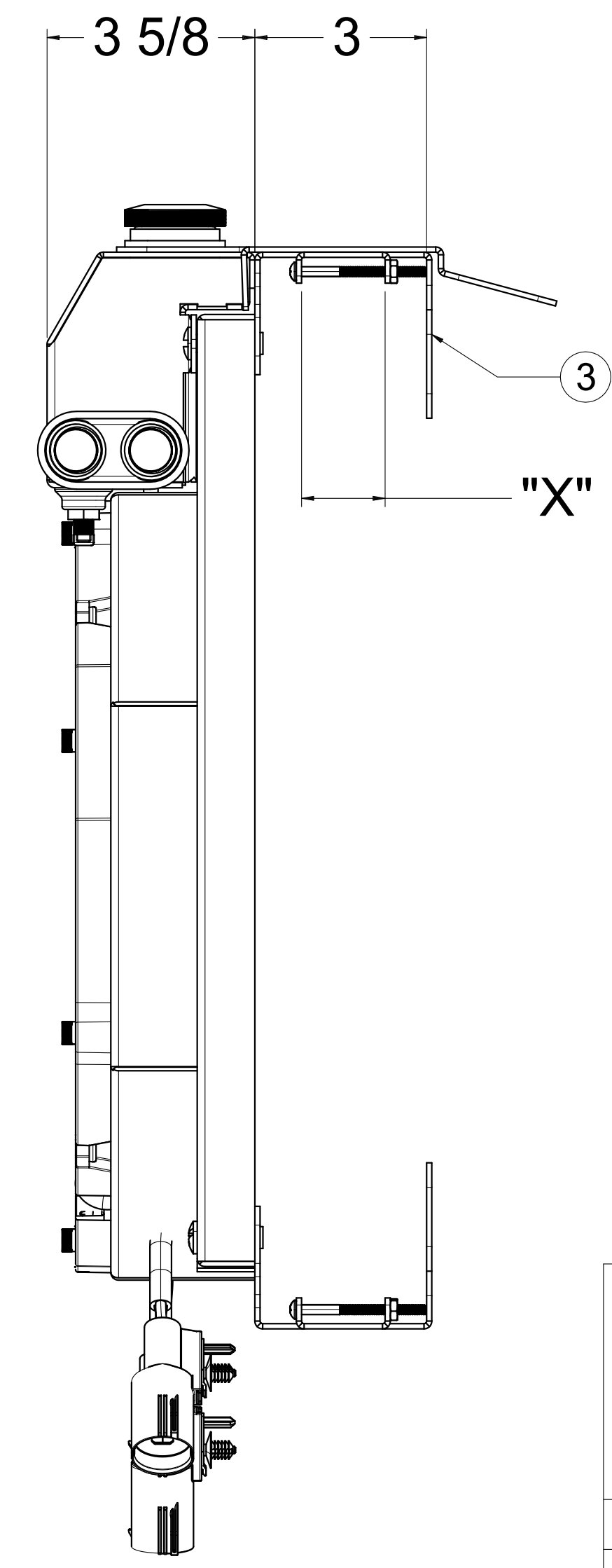
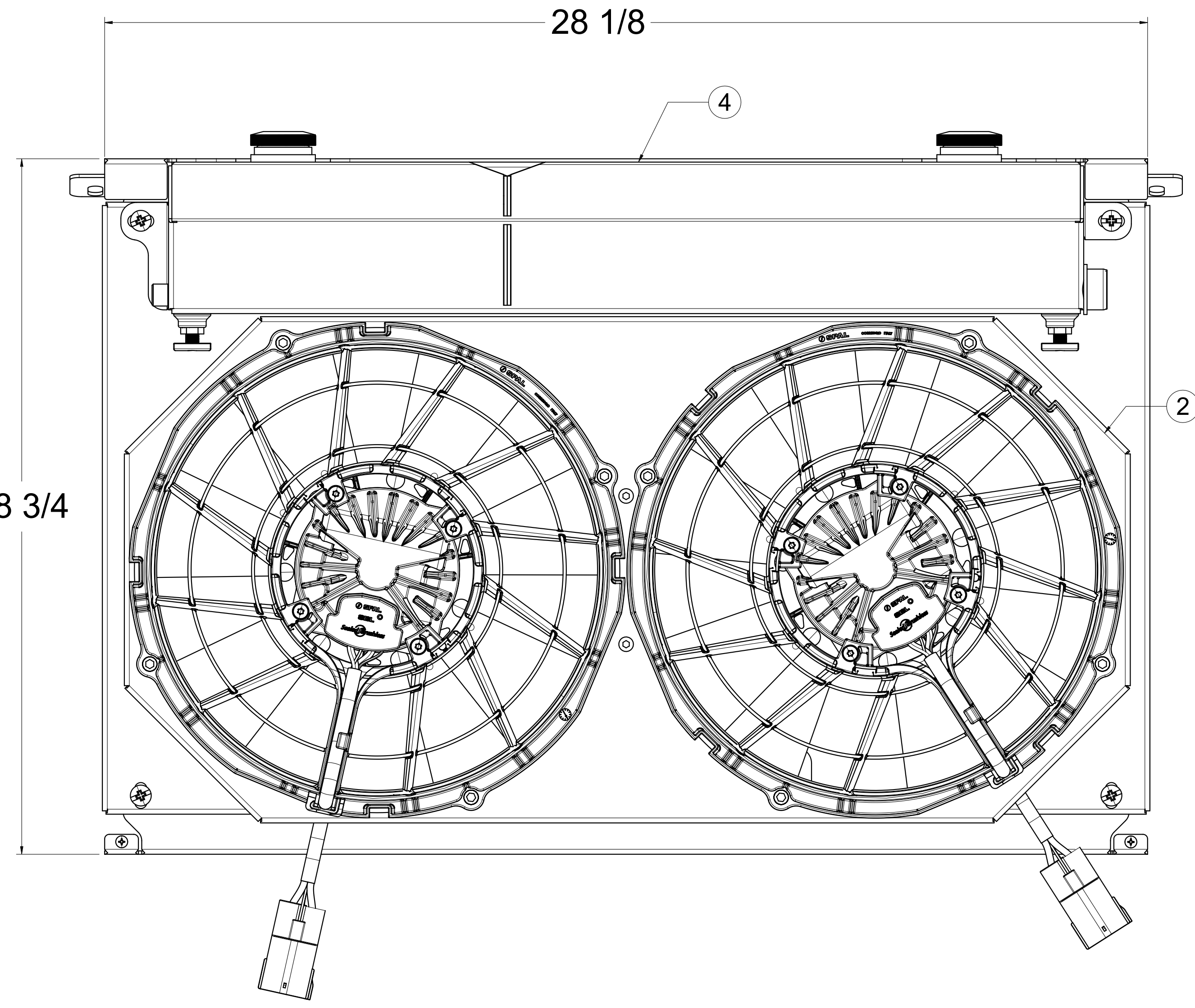
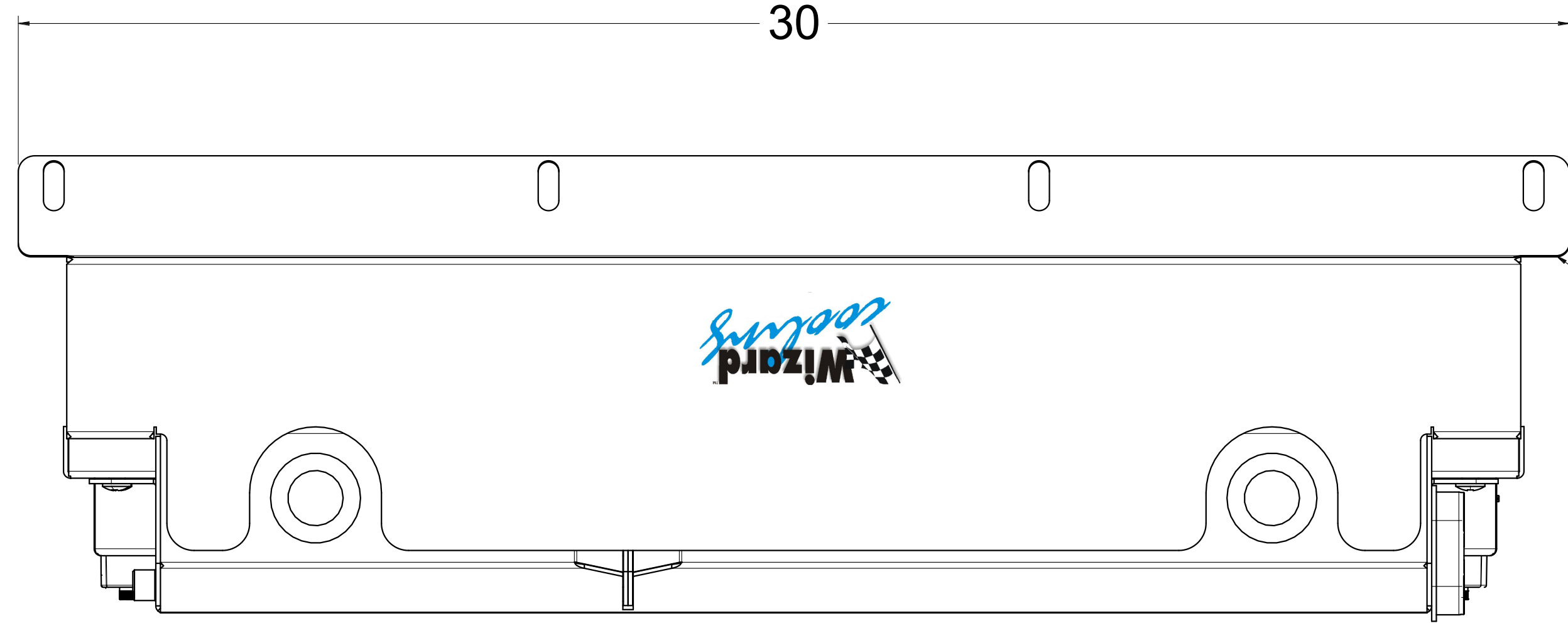


ZONE		REV	DESCRIPTION	DATE	APPROVED

SKU #	Shroud Dwg #	Shroud #	Dimension "X"	Core Mount Series	Expansion Tank #
1-361-002BL300225XX	1-361-002BL (12")	1-361-002BL225	1 7/16"	-100 (Standard)	1-361-000XX
1-361-002BL300275XX		1-361-002BL275	1 7/8"	-200 (Upgraded)	



Item Number	Quantity	Part Number	Part Name	Revision	Comment
1	1	4-06127	Top Plate		
2	1	1-361-002BL	Dual 12" BL Shroud Assembly		
3	2	1-361-Channels	Top & Bottom Channel Assembly		
4	1	1-361-000XX	Expansion Tank & Intercooler Reservoir		

DRAWN	SH	DATE	7-28-25
CHECKED			
QA			
MFG			
APPROVED			

Dual 12" Brushless Shroud & Dual Tanks

Title: 1-361-002BLXX (12" Fans)
&
1-361-Channels

SIZE	FSCM NO.	DWG NO.	REV
D			-
SCALE	1:1		SHEET