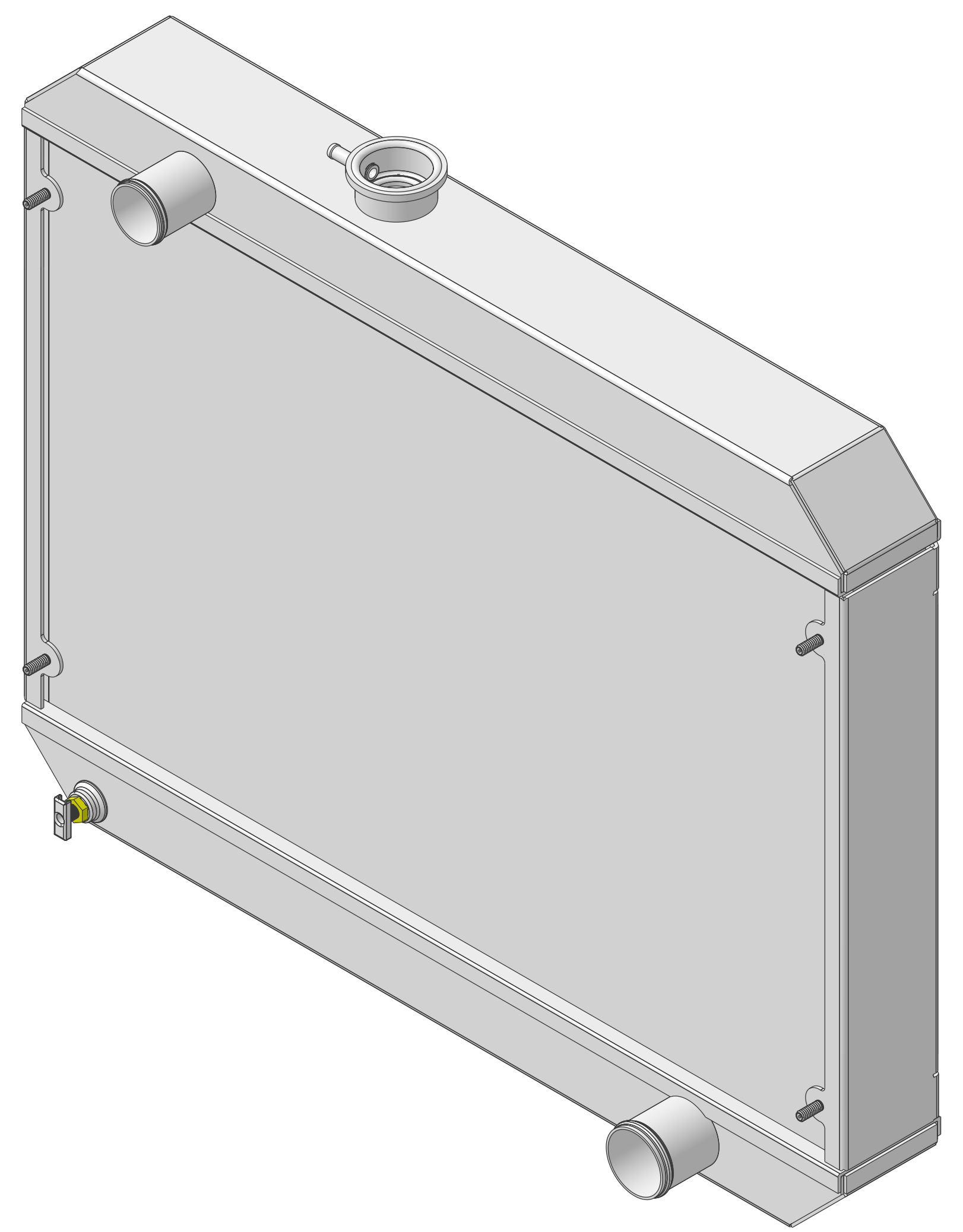
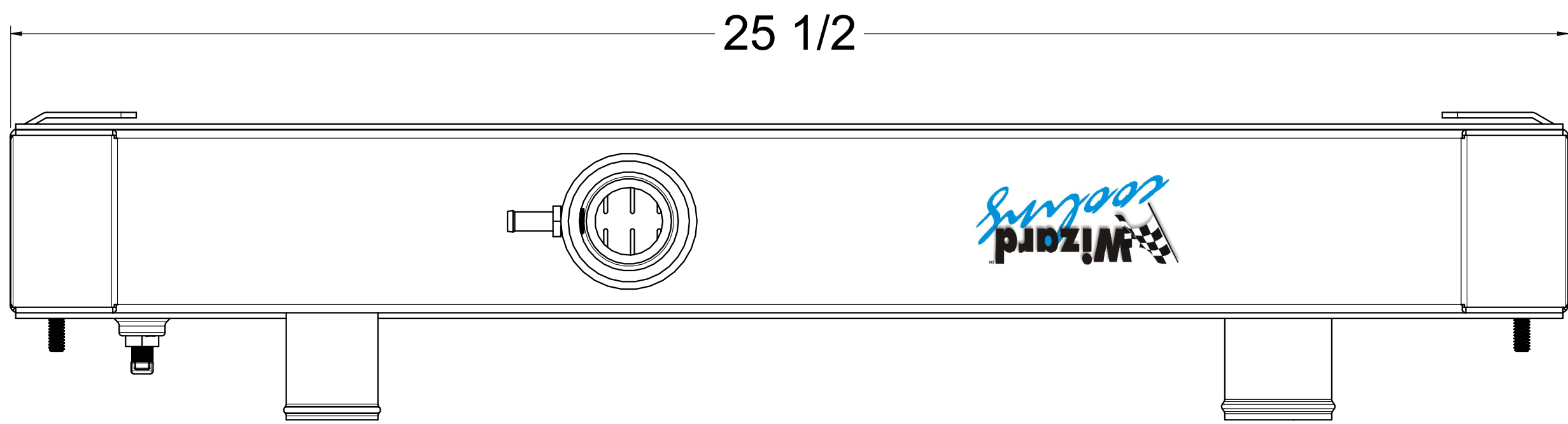


ZONE		REV	DESCRIPTION	DATE	APPROVED



D

D

C

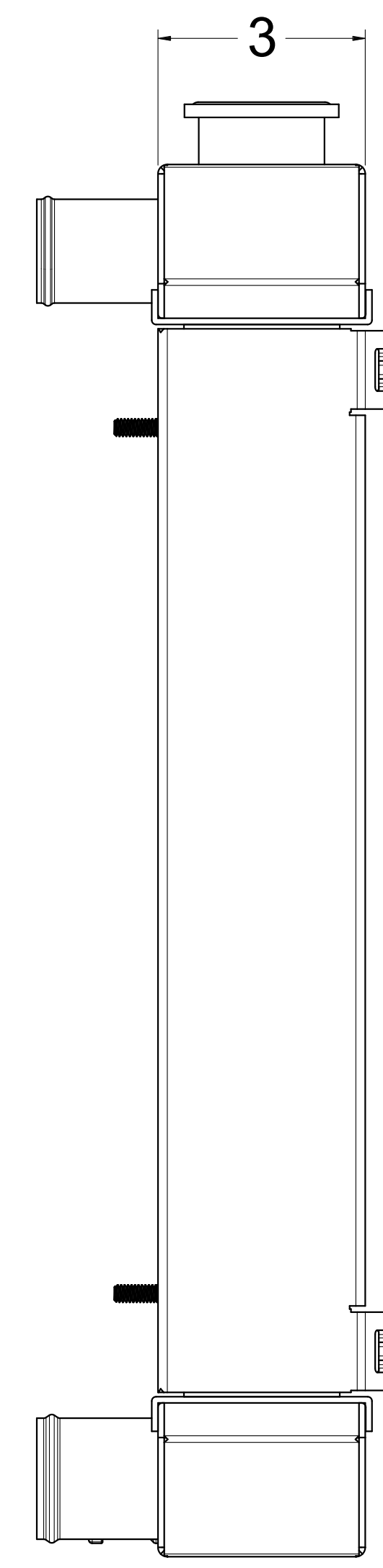
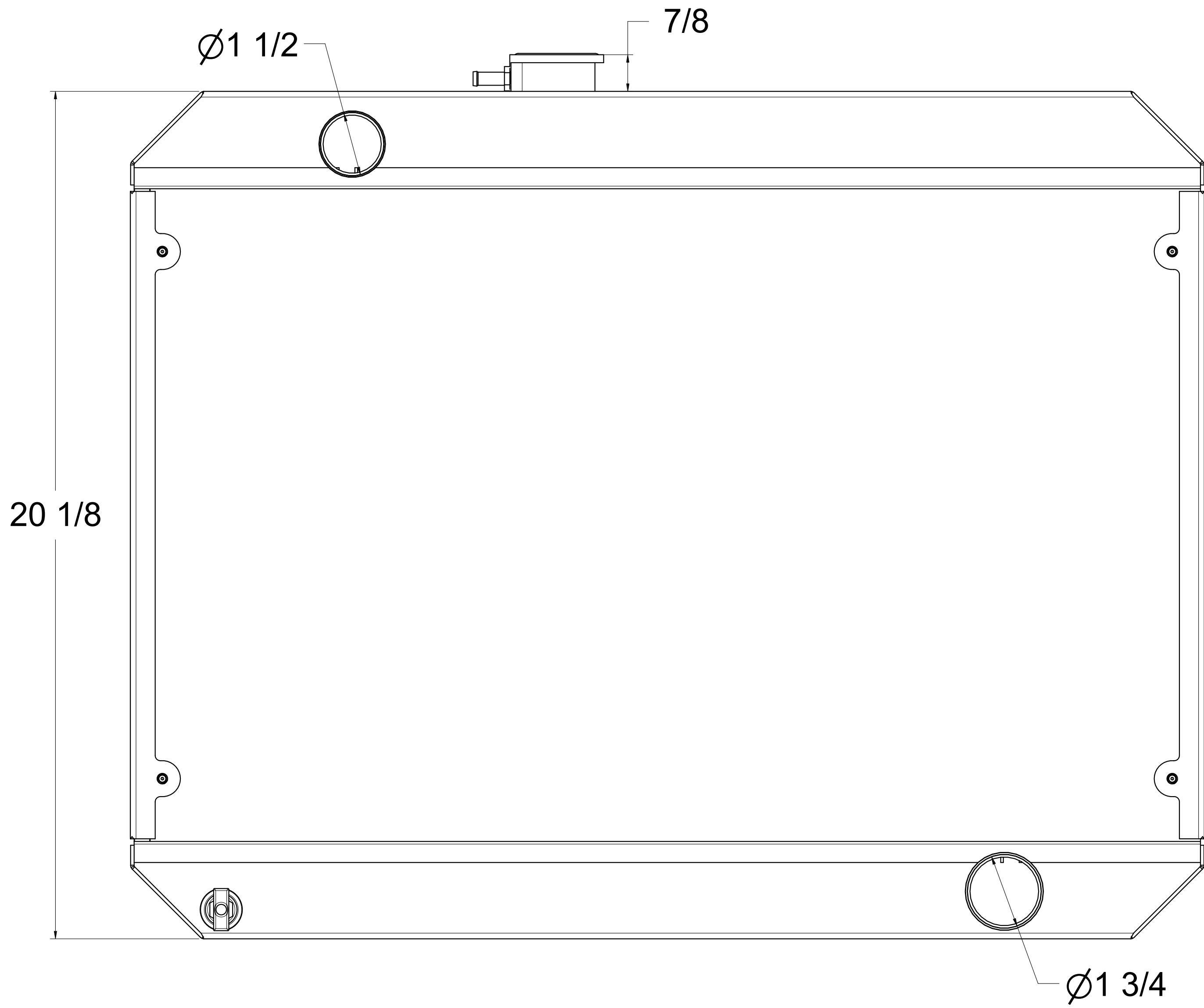
C

B


B

A

A



SKU #	Transmission	Core Size
1-27310-100	Manual	Standard (2 Rows Of 1" Tubes)
1-27310-200		Upgraded (2 Rows Of 1.25" Tubes)

 <p>Custom Aluminum Radiators</p>	DRAWN SH	DATE 6-10-26	<p>Title:</p> <p>1-27310-Radiator Manual Transmission</p>								
	CHECKED										
	QA										
	MFG										
APPROVED			<table border="1"> <tr> <td>SIZE D</td> <td>FSCM NO.</td> <td>DWG NO.</td> <td>REV -</td> </tr> <tr> <td>SCALE 1:1</td> <td colspan="2">SHEET</td> <td></td> </tr> </table>	SIZE D	FSCM NO.	DWG NO.	REV -	SCALE 1:1	SHEET		
SIZE D	FSCM NO.	DWG NO.	REV -								
SCALE 1:1	SHEET										

8 7 6 5 4 3 2 1