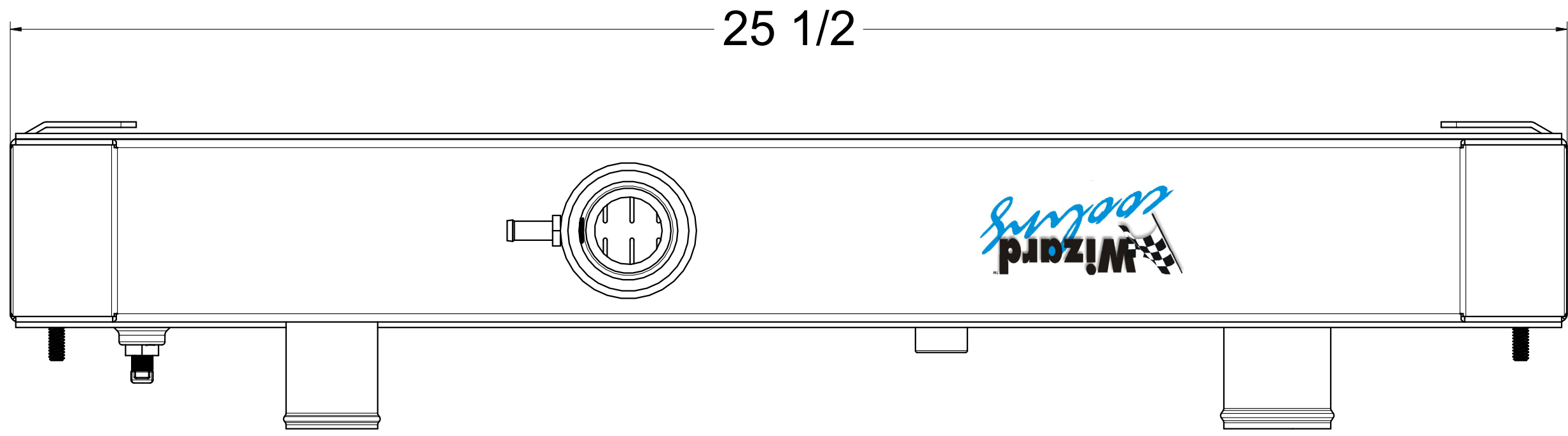


| ZONE |  | REV | DESCRIPTION | DATE | APPROVED |
|------|--|-----|-------------|------|----------|
|      |  |     |             |      |          |

D

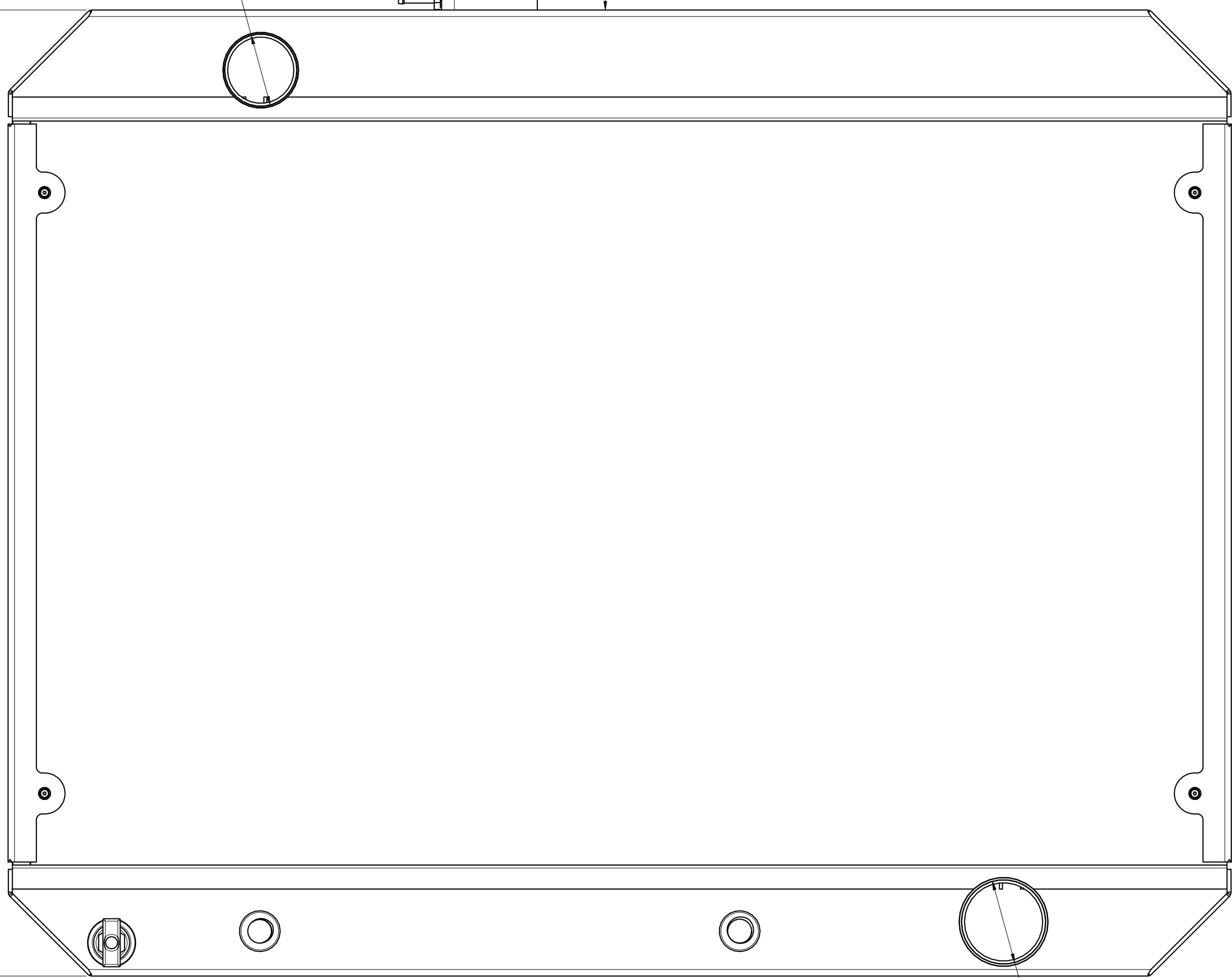
D



C

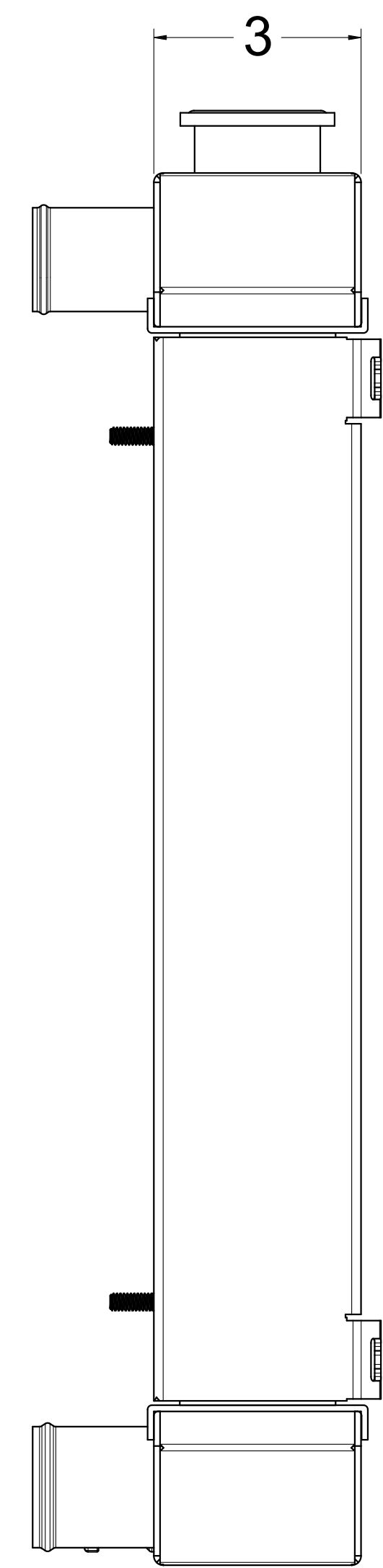
C

$\text{Ø}1\ 1/2$       7/8

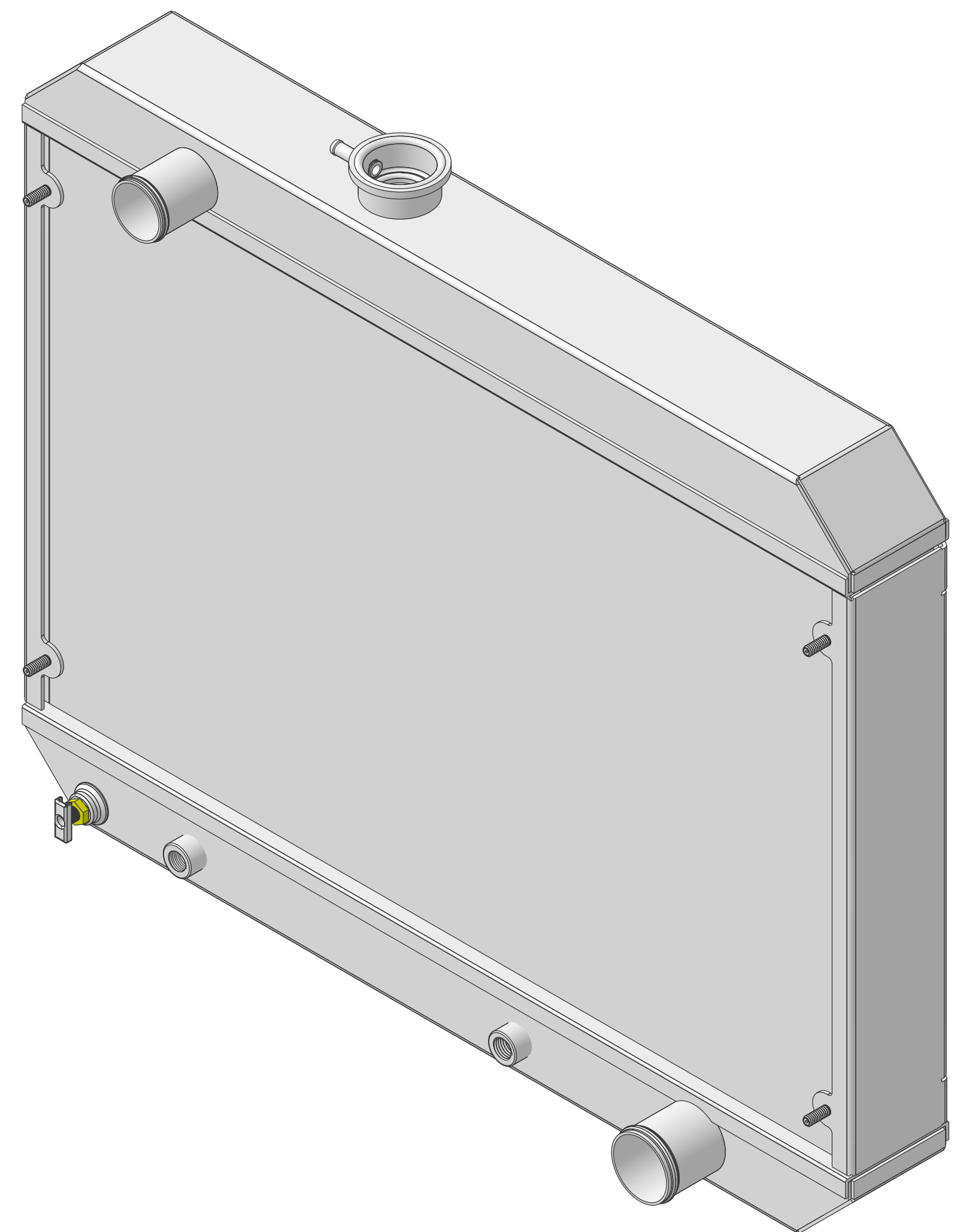


20 1/8

$\text{Ø}1\ 3/4$




3



| SKU #       | Transmission | Core Size                           |
|-------------|--------------|-------------------------------------|
| 1-27310-110 | Automatic    | Standard<br>(2 Rows Of 1" Tubes)    |
| 1-27310-210 | Automatic    | Upgraded<br>(2 Rows Of 1.25" Tubes) |

A

A

|                                                                                       |             |                 |                                                              |          |         |
|---------------------------------------------------------------------------------------|-------------|-----------------|--------------------------------------------------------------|----------|---------|
|  | DRAWN<br>SH | DATE<br>6-10-26 | Title:<br><b>1-27310-Radiator<br/>Automatic Transmission</b> |          |         |
|                                                                                       | CHECKED     |                 |                                                              |          |         |
|                                                                                       | QA          |                 | SIZE                                                         | FSCM NO. | DWG NO. |
|                                                                                       | MFG         |                 | D                                                            |          |         |
|                                                                                       | APPROVED    |                 | SCALE                                                        | 1:1      | SHEET   |

8

7

6

5

4

3

2

1