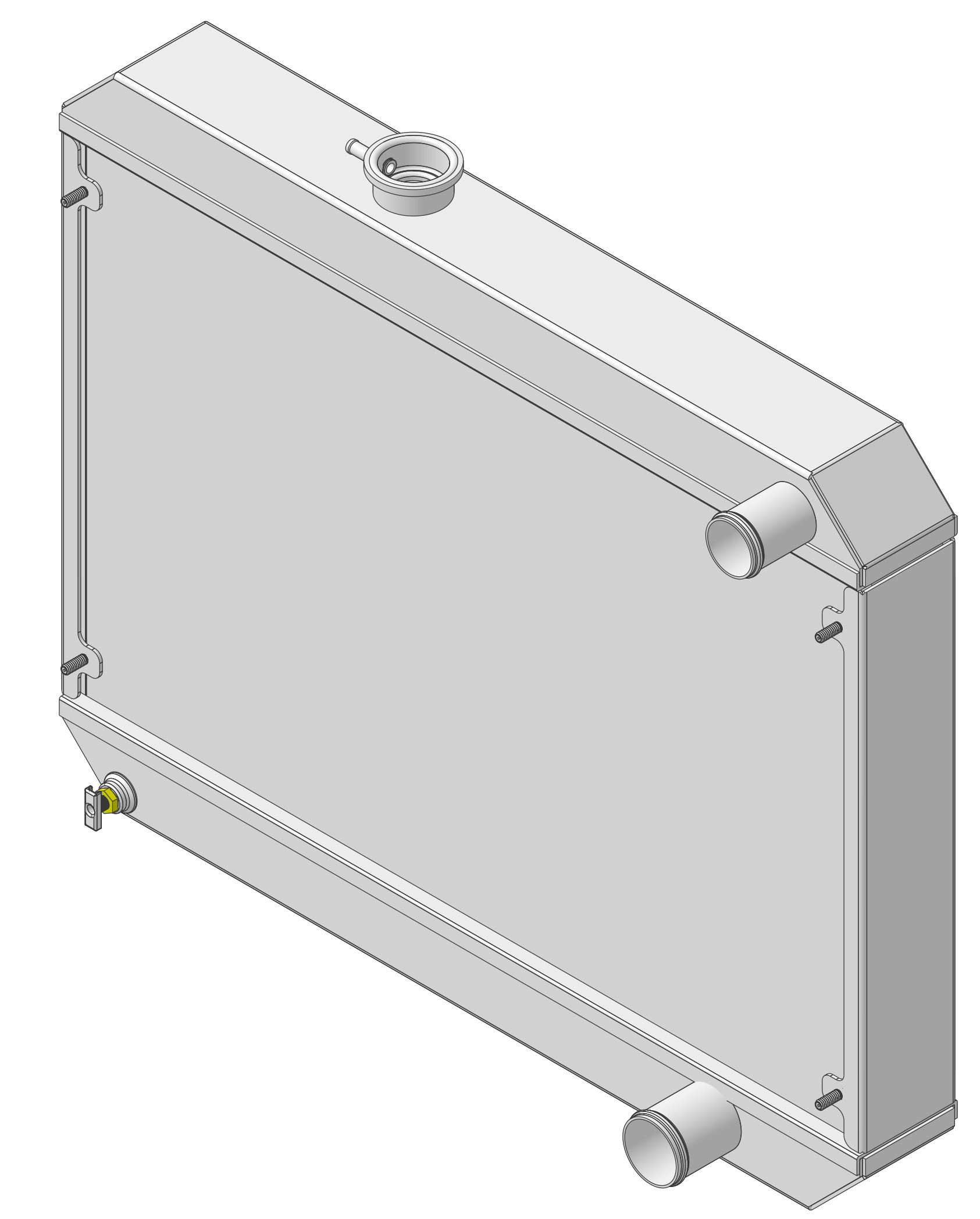
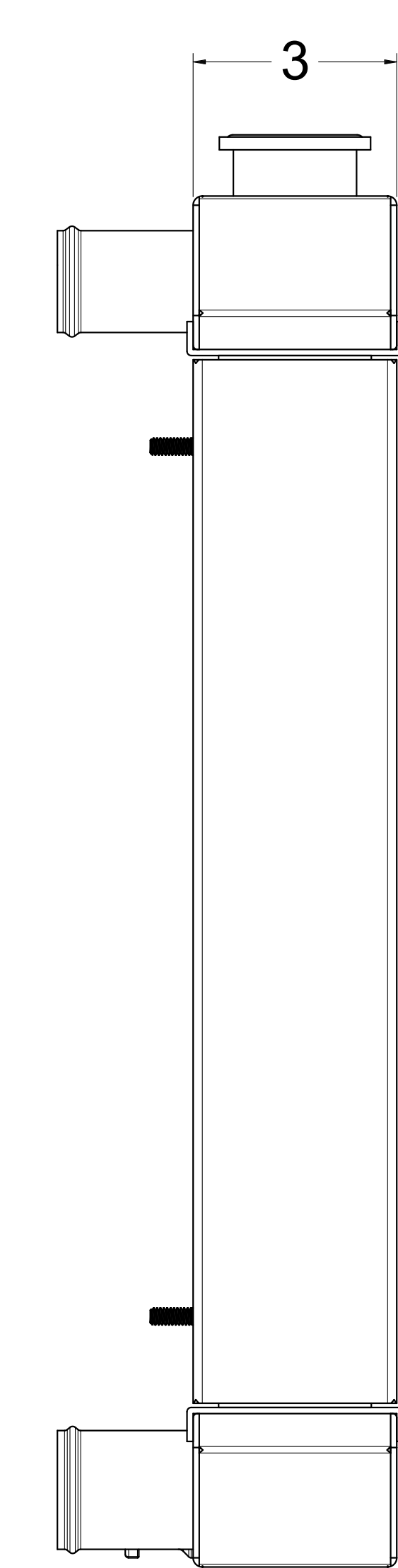
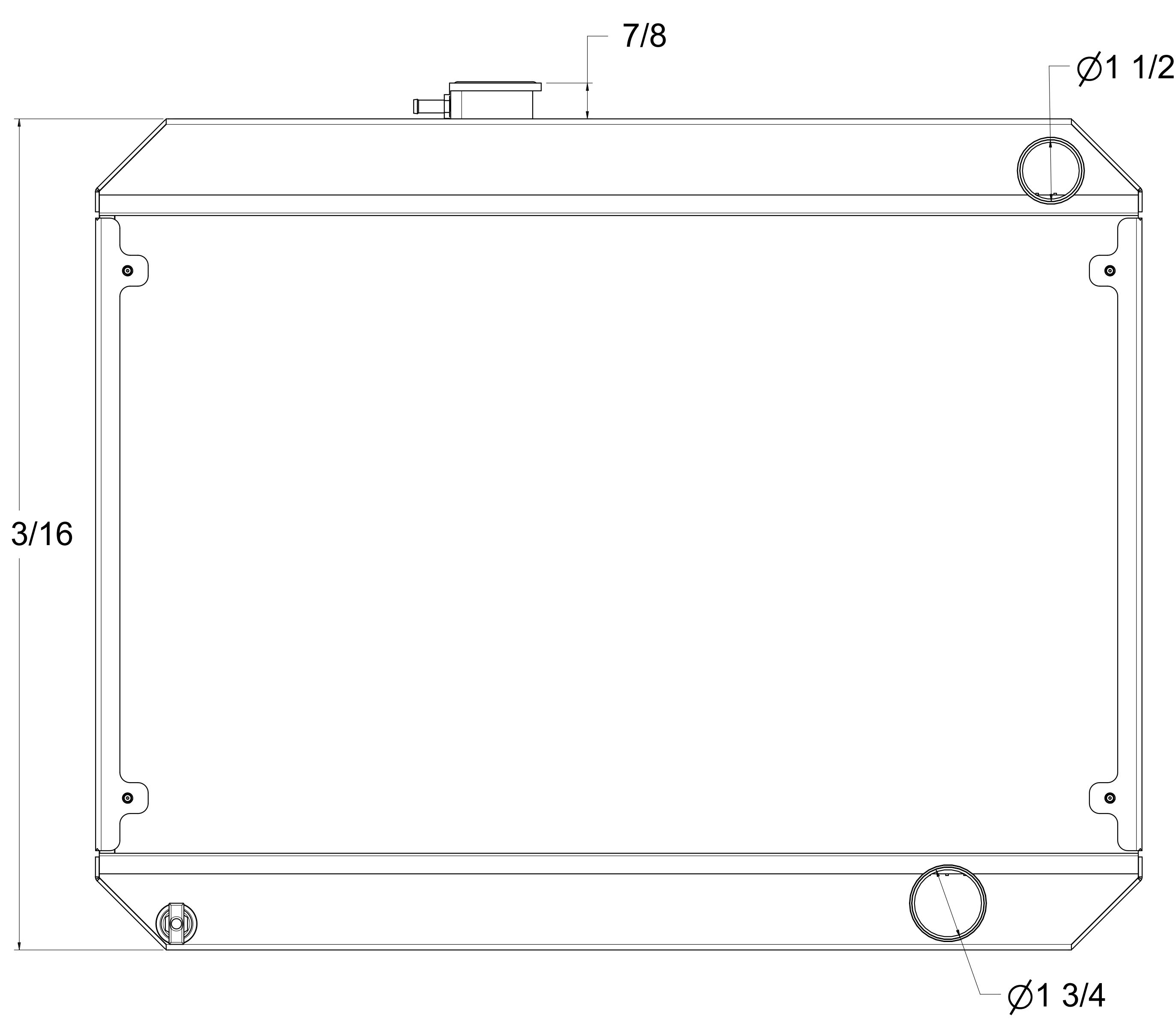
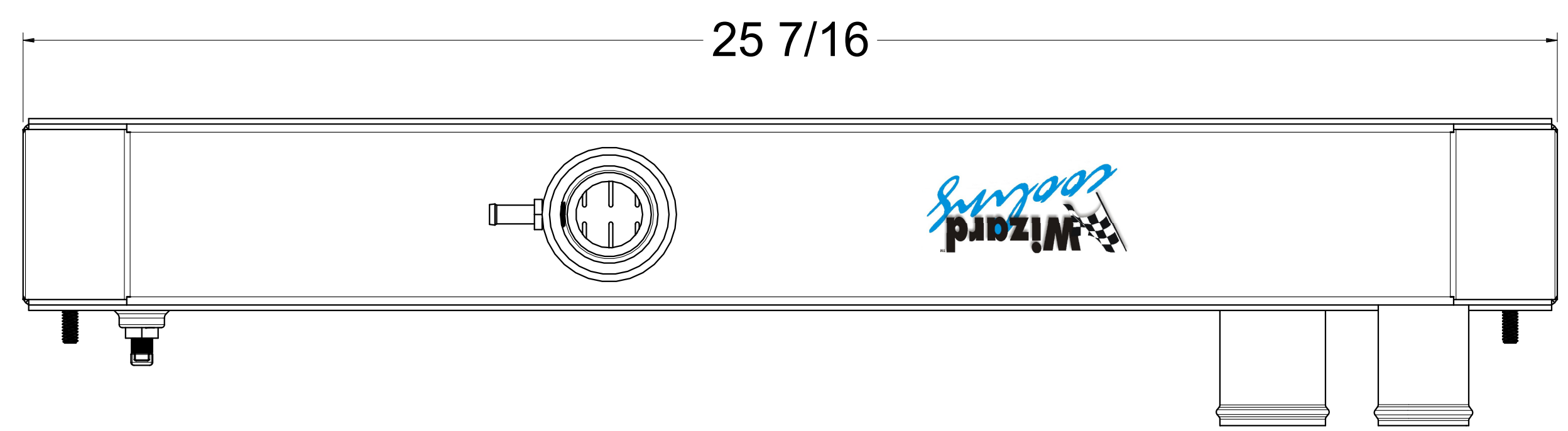



ZONE		REV	DESCRIPTION	DATE	APPROVED



SKU #	Transmission	Core Size
1-27100-100	Manual	Standard (2 Rows Of 1" Tubes)
1-27100-200		Upgraded (2 Rows Of 1.25" Tubes)

 <p>Wizard <i>cooling</i> Custom Aluminum Radiators</p>	DRAWN SH	DATE 6-10-26	Title: 1-27100-Radiator Manual Transmission			
	CHECKED					
	QA		SIZE D	FSCM NO.	DWG NO.	REV -
	APPROVED		SCALE 1:1	SHEET		