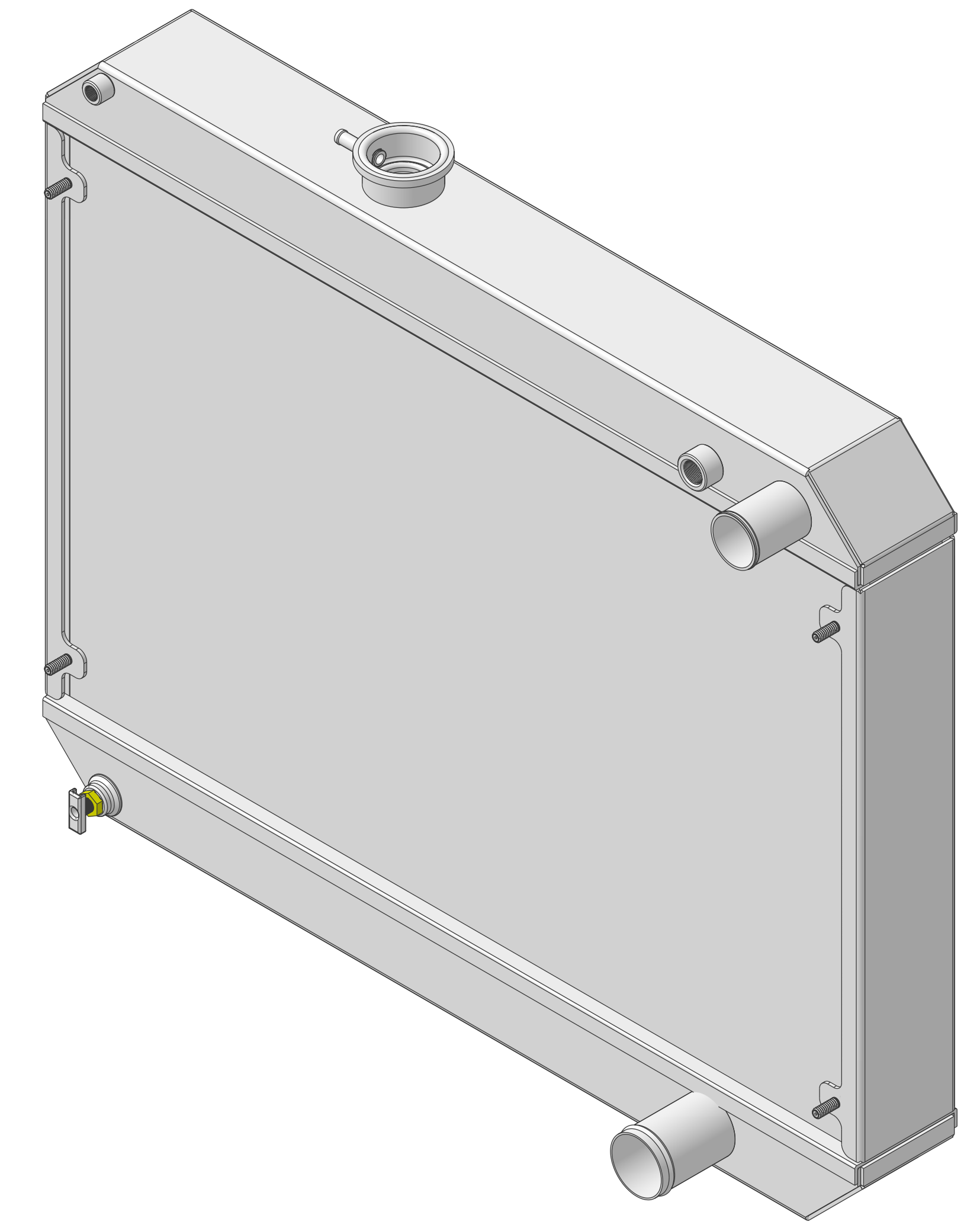
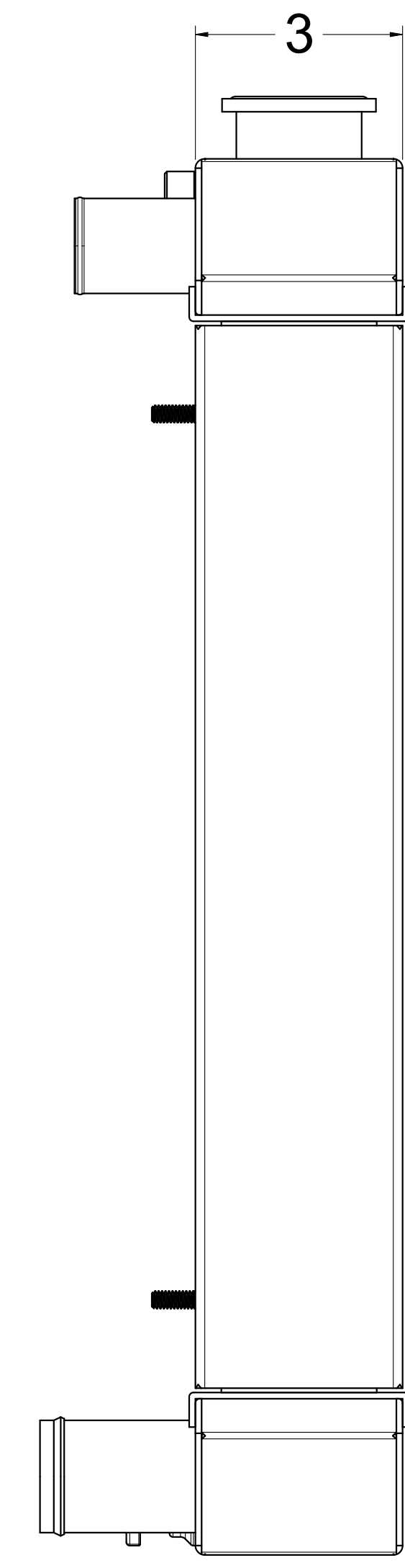
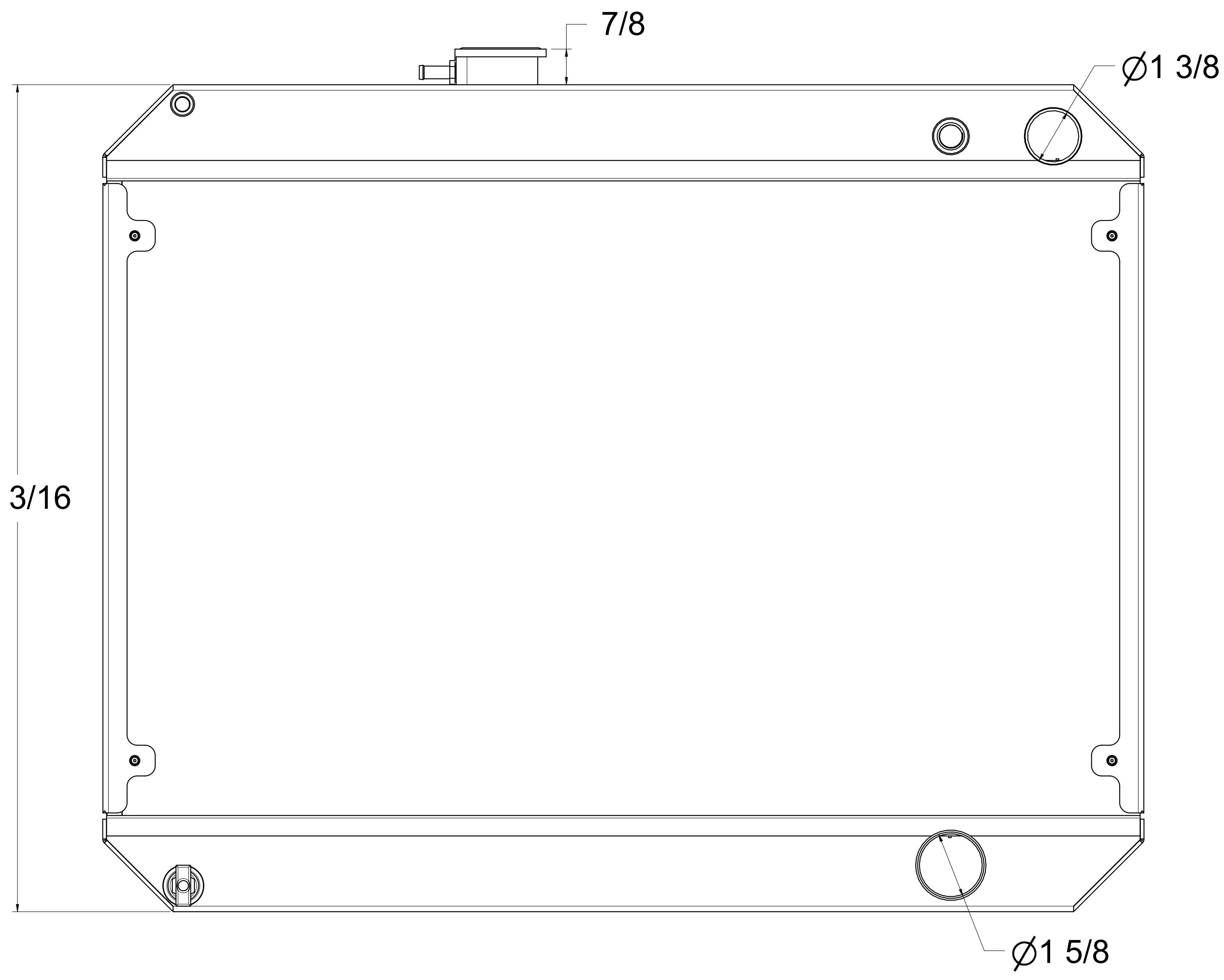
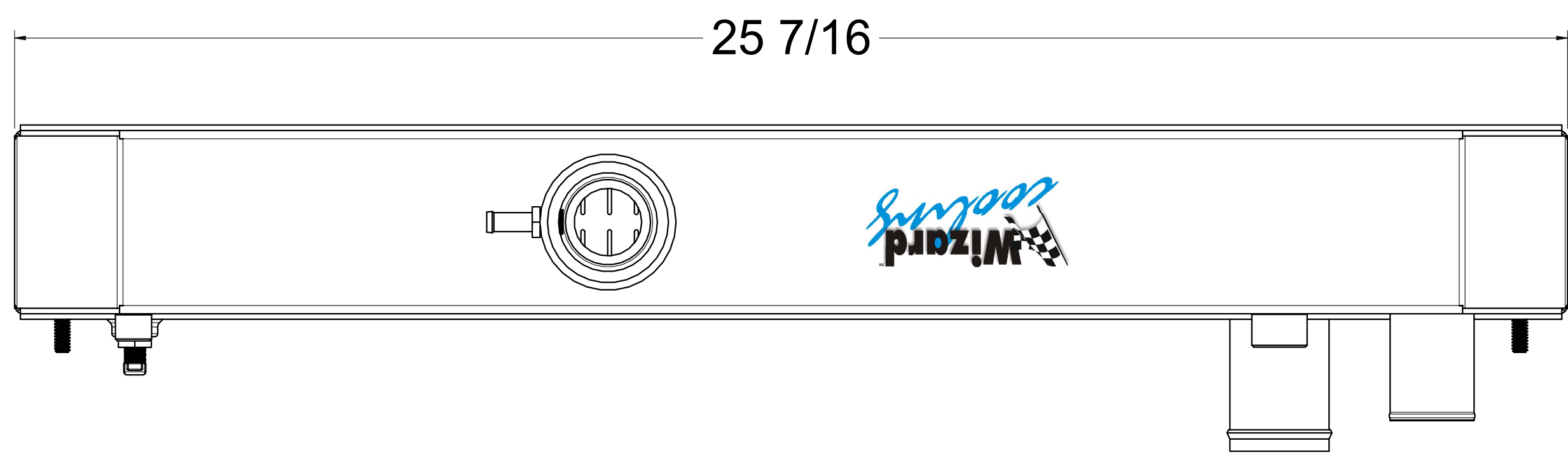



ZONE		REV	DESCRIPTION	DATE	APPROVED



SKU #	Transmission	Core Size
1-27100-100LS	Manual	Standard (2 Rows Of 1" Tubes)
1-27100-200LS		Upgraded (2 Rows Of 1.25" Tubes)

	DRAWN SH	DATE 6-10-26	Title: <b>1-27100-LS Radiator Manual Transmission</b>	
	CHECKED			
	QA		SIZE D	FSCM NO.
	MFG		DWG NO.	REV -
	APPROVED		SCALE 1:1	SHEET