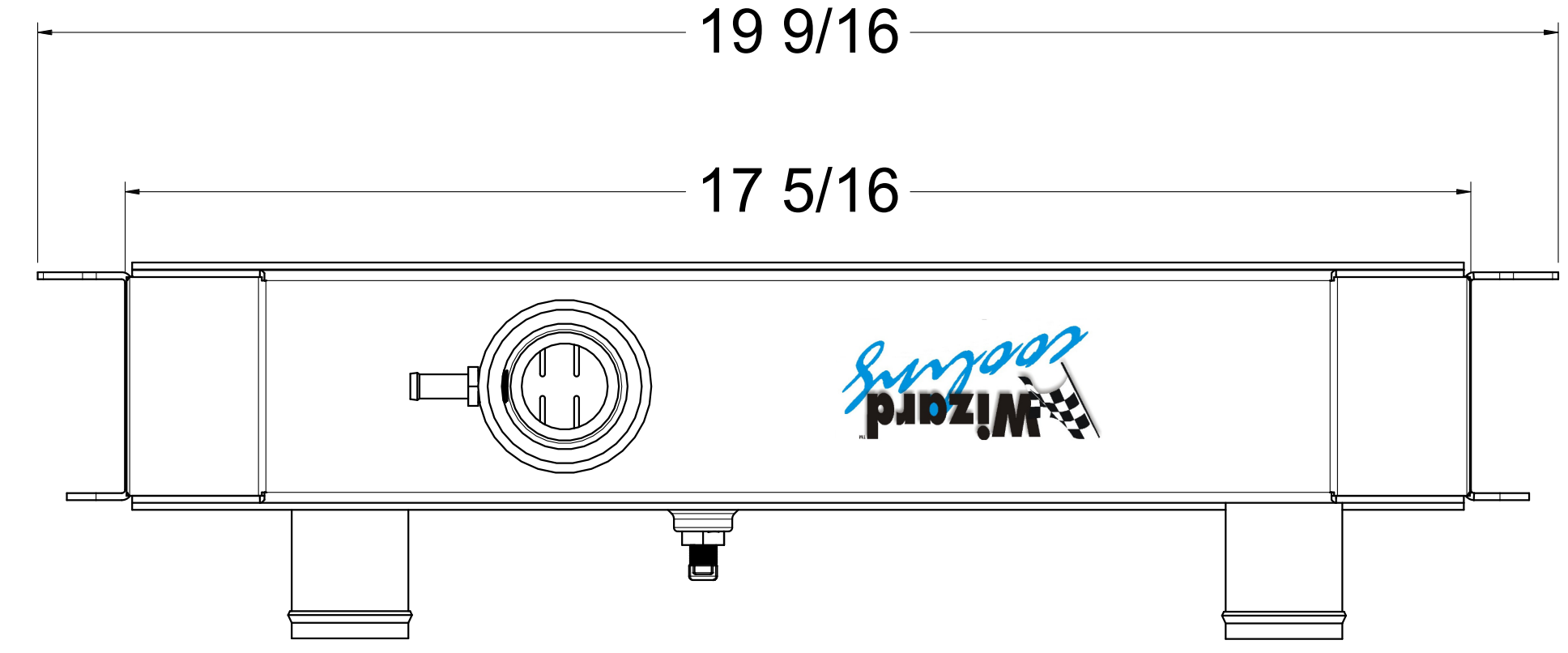


| ZONE | | REV | DESCRIPTION | DATE | APPROVED |
|------|--|-----|-------------|------|----------|
| | | | | | |

D



D

C

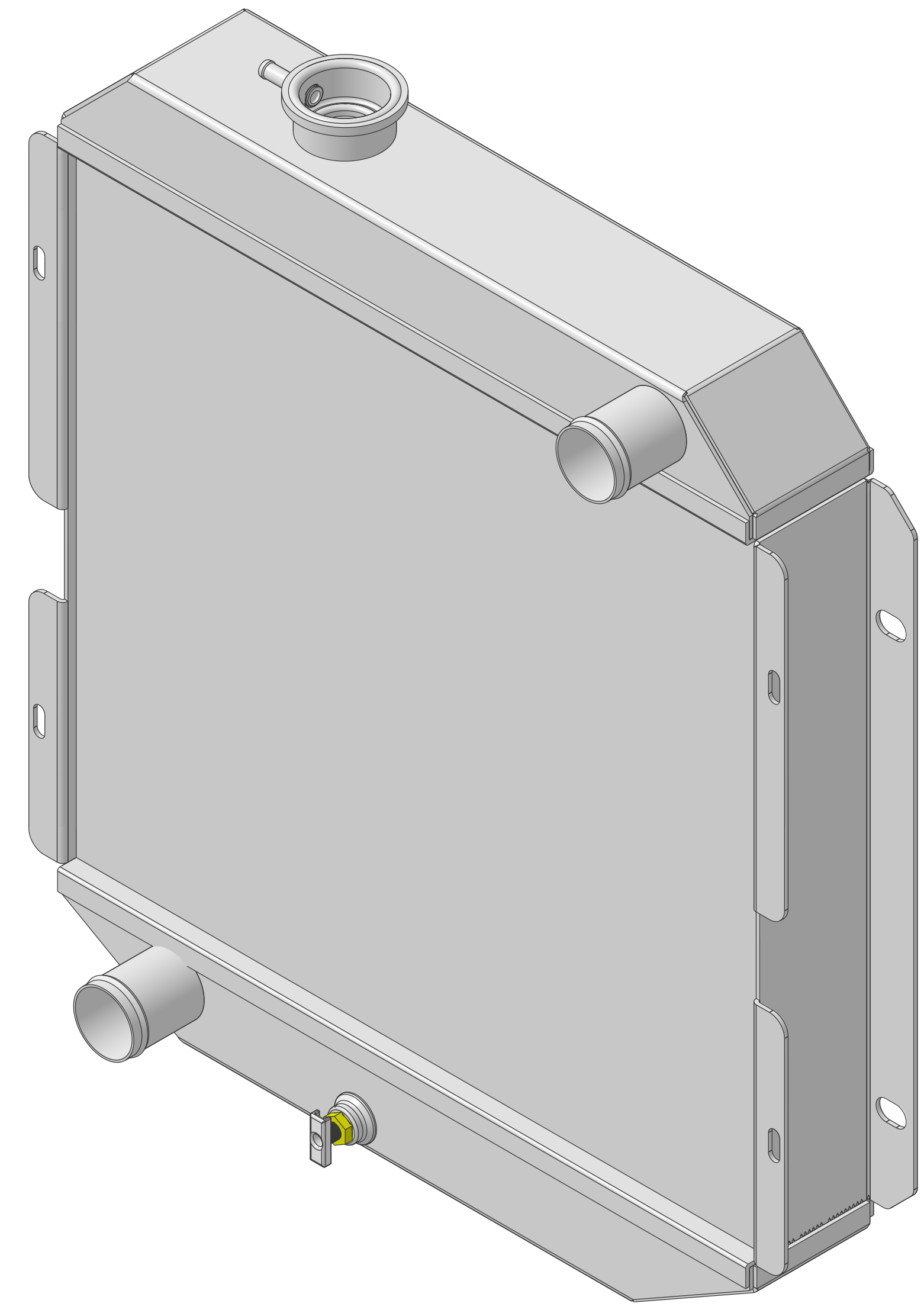
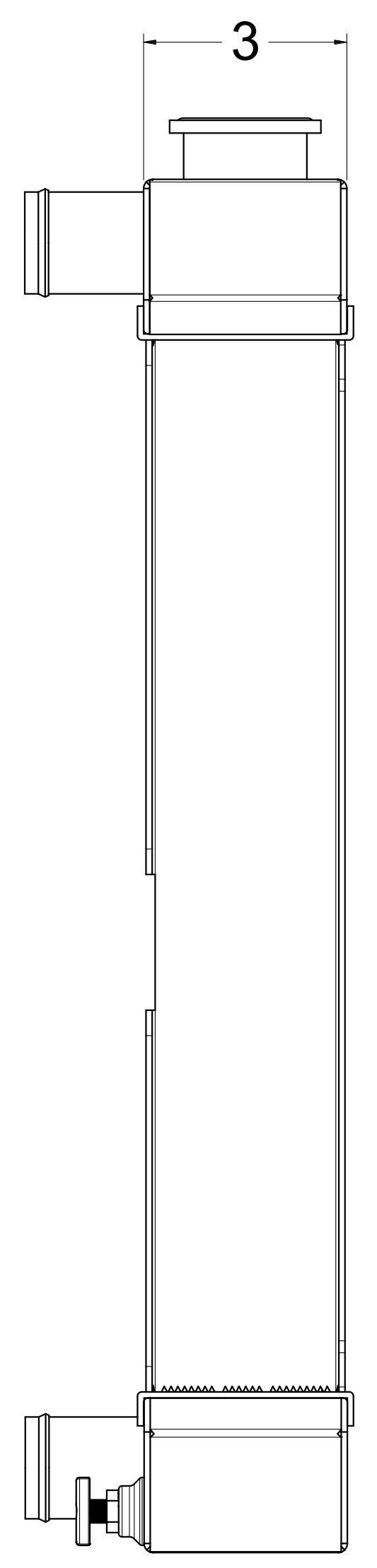
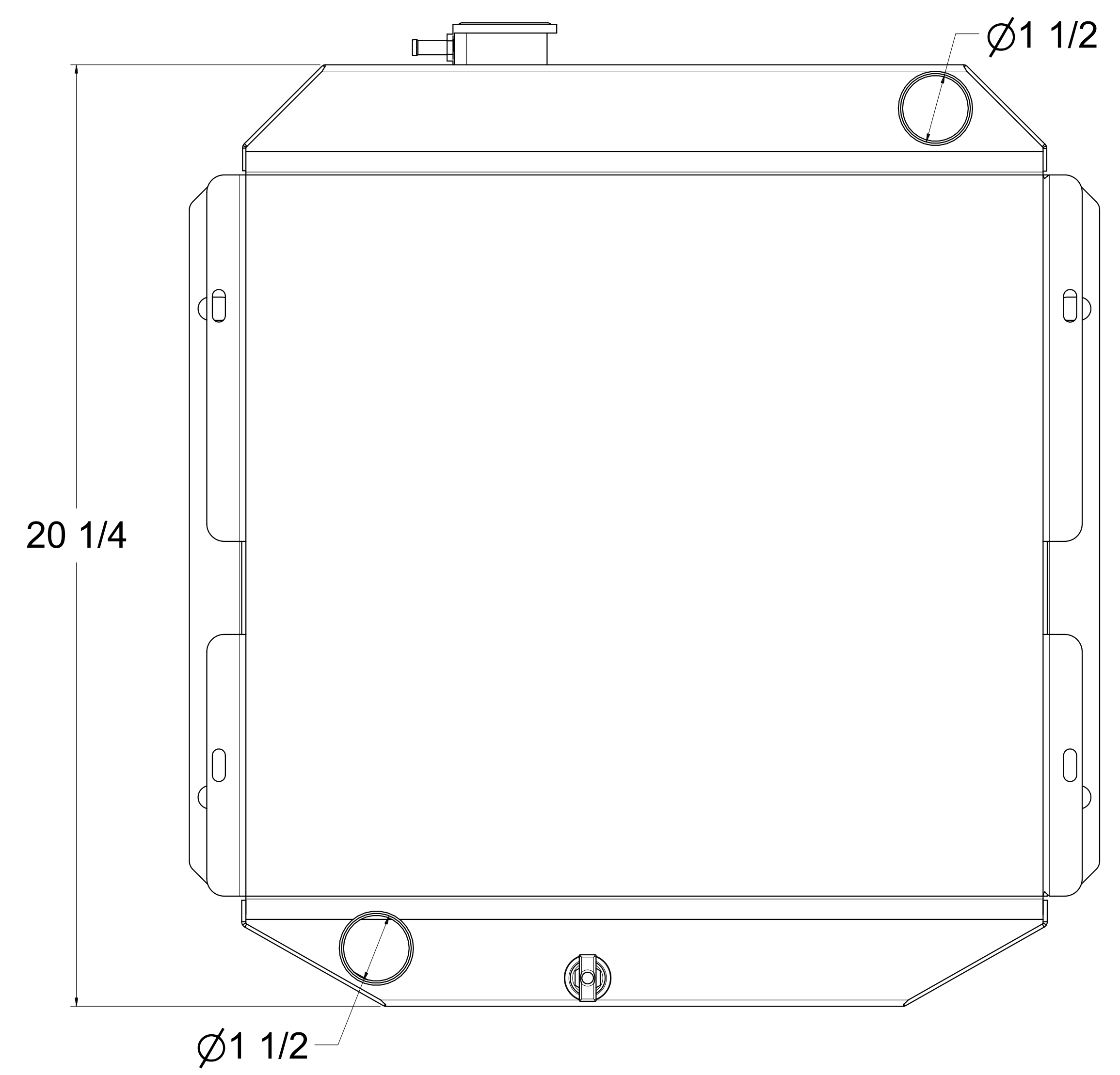
C

B


B

A

A



| SKU # | Transmission | Core Size |
|-------------|--------------|-------------------------------------|
| 1-259-100CS | Manual | Standard (2 Rows Of 1" Tubes) |
| 1-259-200CS | | Upgraded (2 Rows Of 1.25" Tubes) |

| | | | |
|---|--------------|-----------------|--|
|  | DRAWN SH | DATE 6-10-26 | Title: 1-259-CS Radiator Manual Transmission |
| | CHECKED | | |
| | QA | | |
| | MFG | | |
| | APPROVED | | |
| | SCALE 1:1 | | SHEET |

8

7

6

5

4

3

2

1