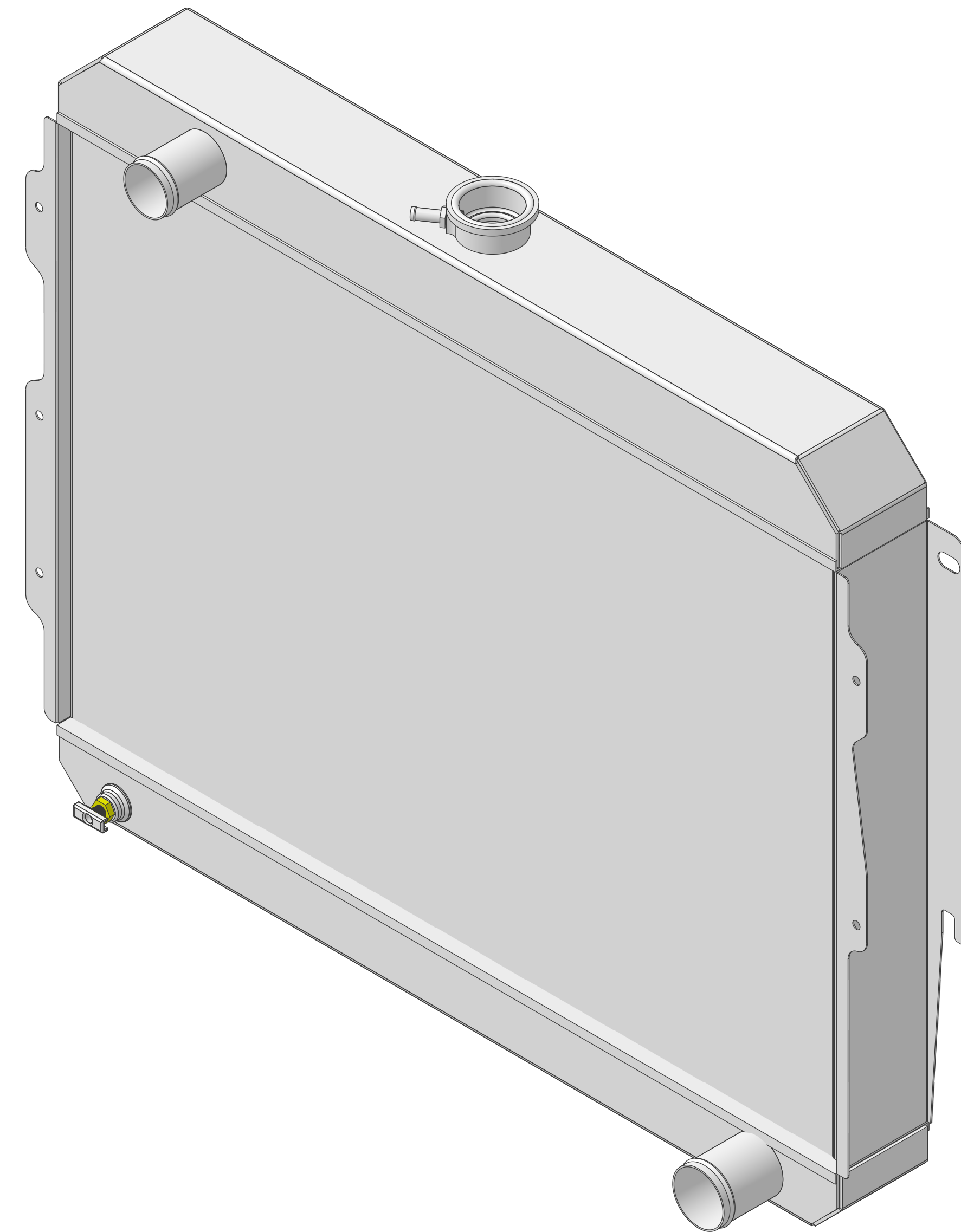
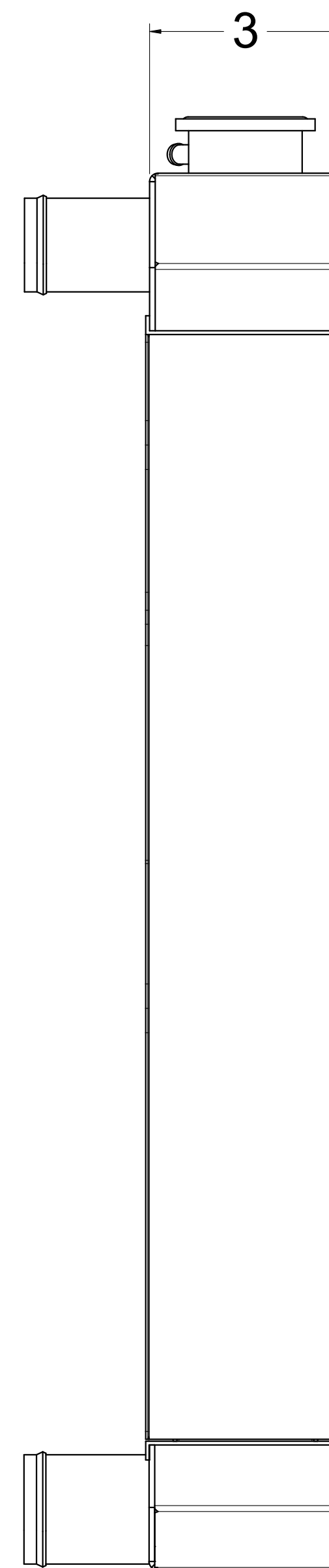
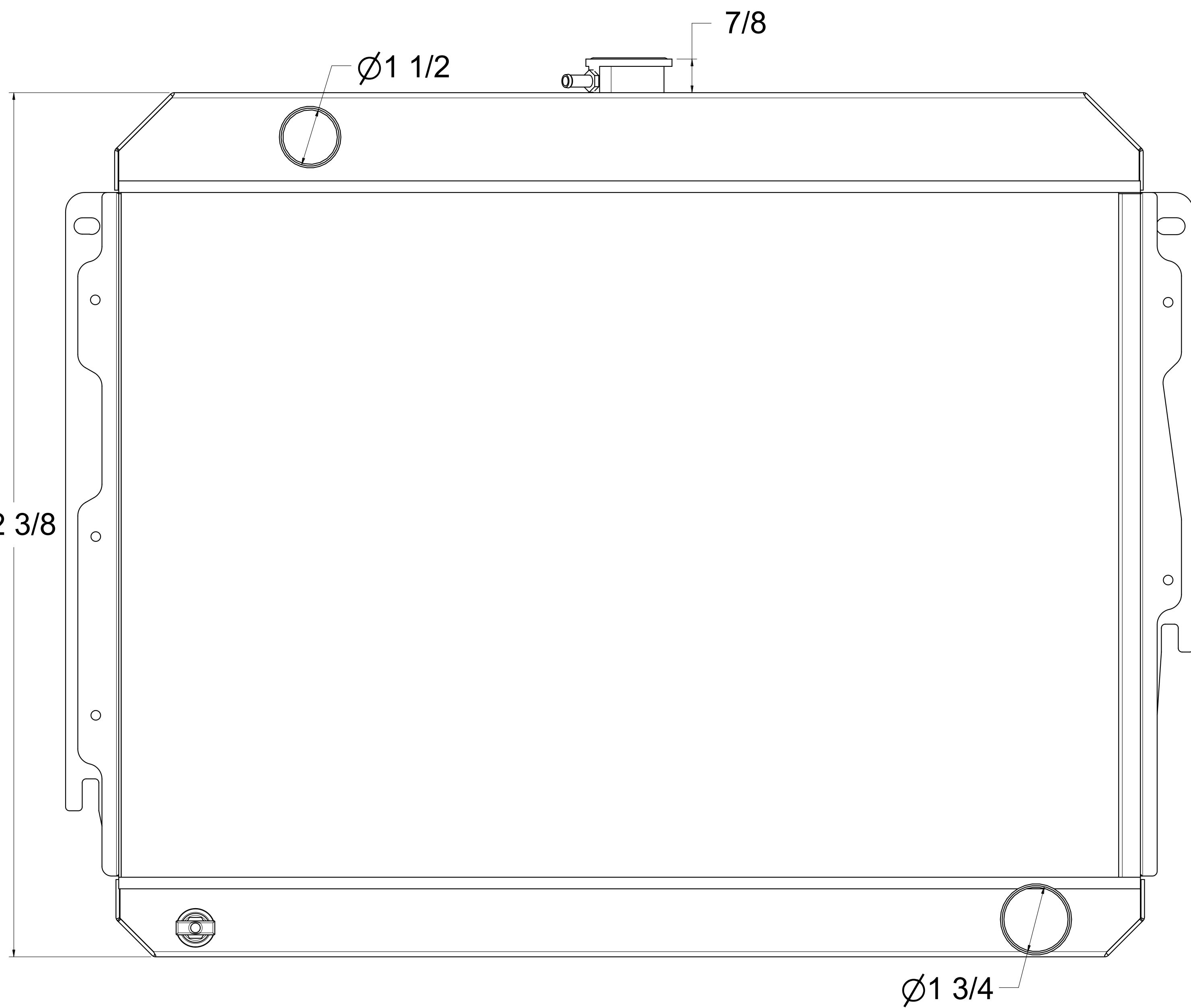
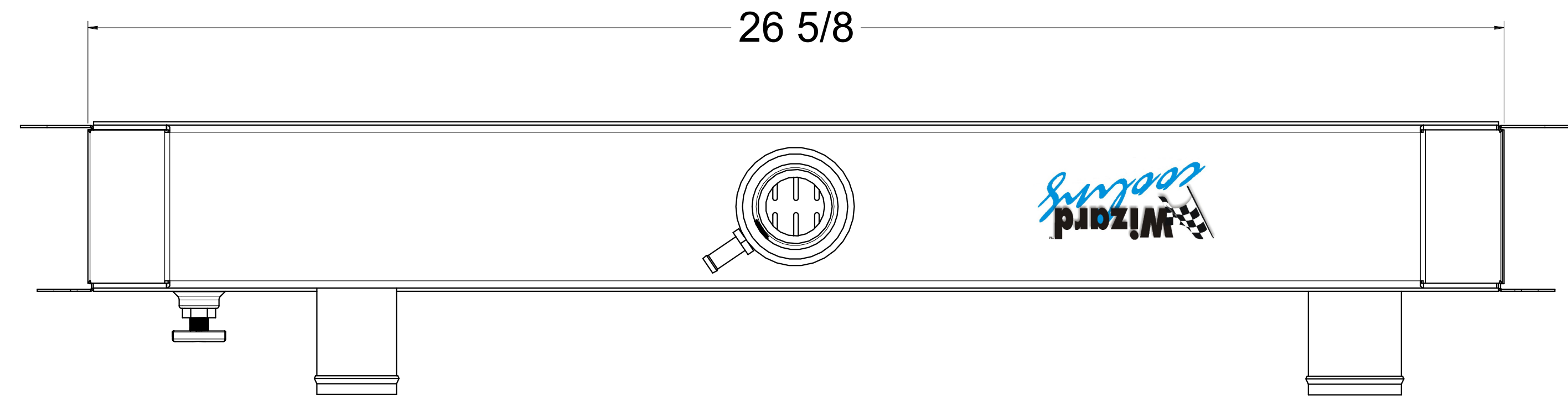



| REV |  | DESCRIPTION | DATE | APPROVED |
|-----|--|-------------|------|----------|
|     |  |             |      |          |



| SKU #      | Transmission | Core Size                           |
|------------|--------------|-------------------------------------|
| 1-1638-100 | Manual       | Standard<br>(2 Rows Of 1" Tubes)    |
| 1-1638-200 | Manual       | Upgraded<br>(2 Rows Of 1.25" Tubes) |

|  |             |                 |  |
|--|-------------|-----------------|--|
| <br>Custom Aluminum Radiators | DRAWN<br>SH | DATE<br>6-11-26 | Title:<br><b>1-1638-Radiator<br/>Manual Transmission</b> |
|  | CHECKED     |                 |  |
|  | QA          |                 |  |
|  | MFG         |                 |  |
|  | APPROVED    |                 |  |
| SIZE<br>D  | FSCM NO.    | DWG NO.         | REV<br>-   |
| SCALE<br>1:1   | SHEET       |                 |  |