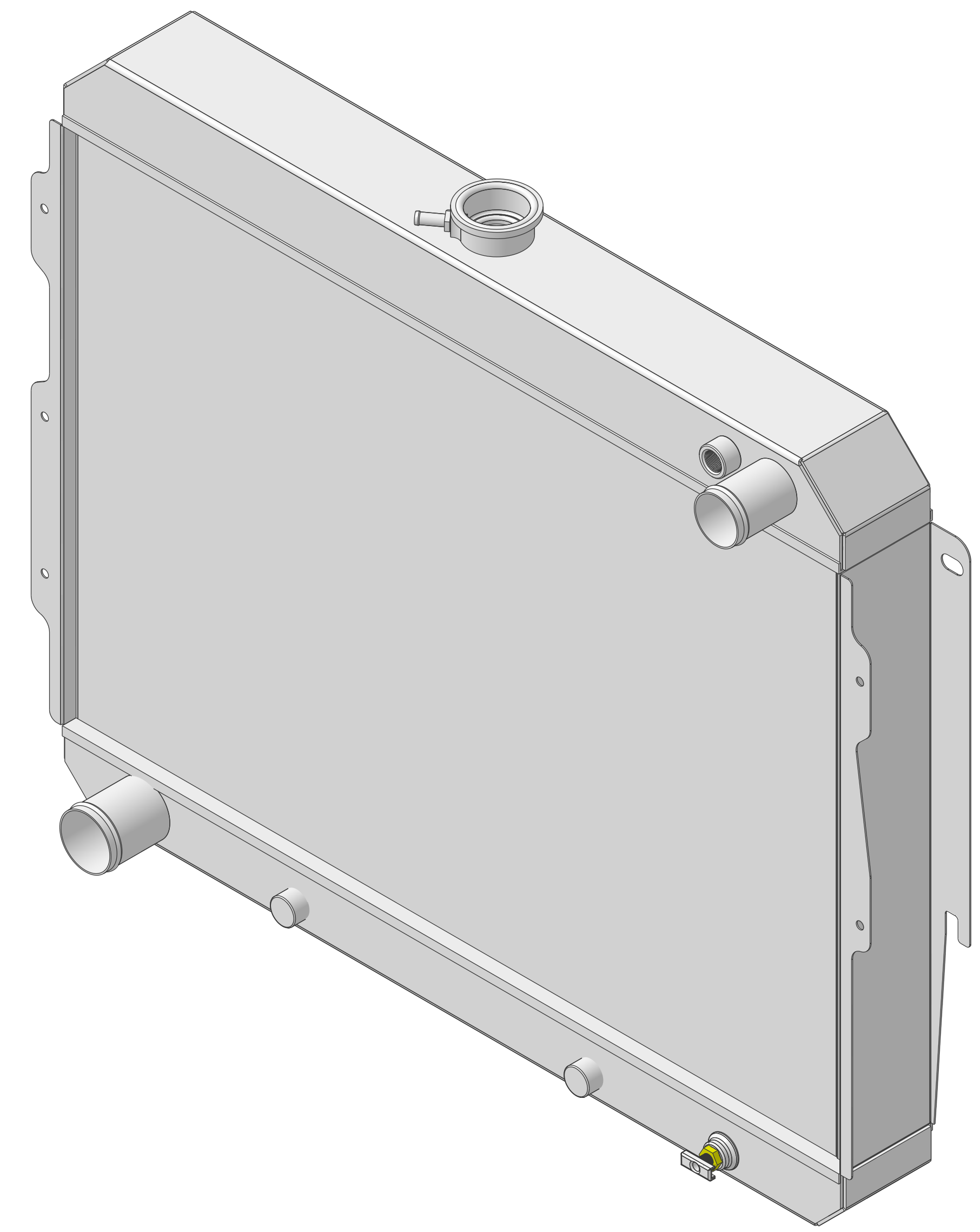
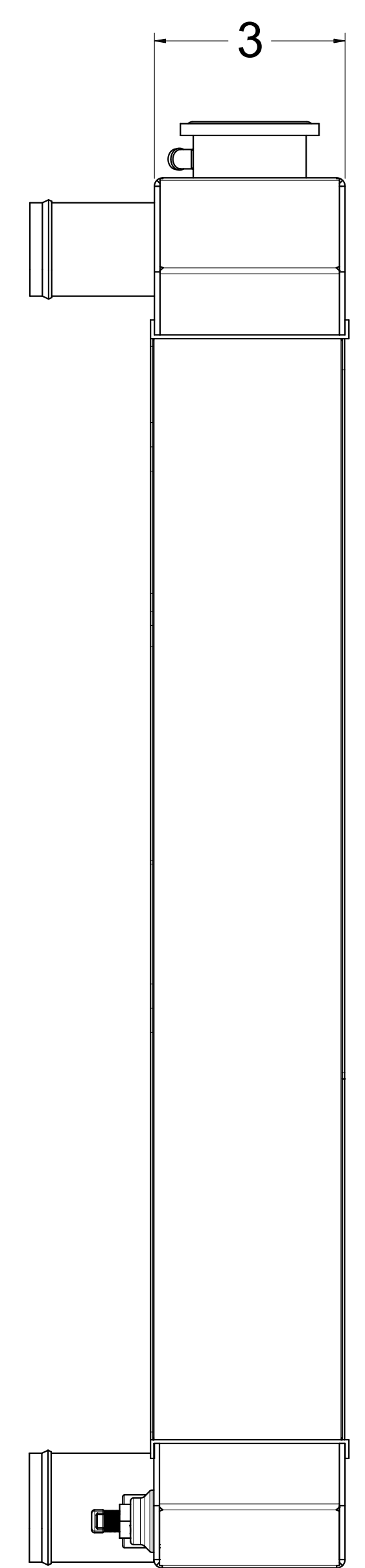
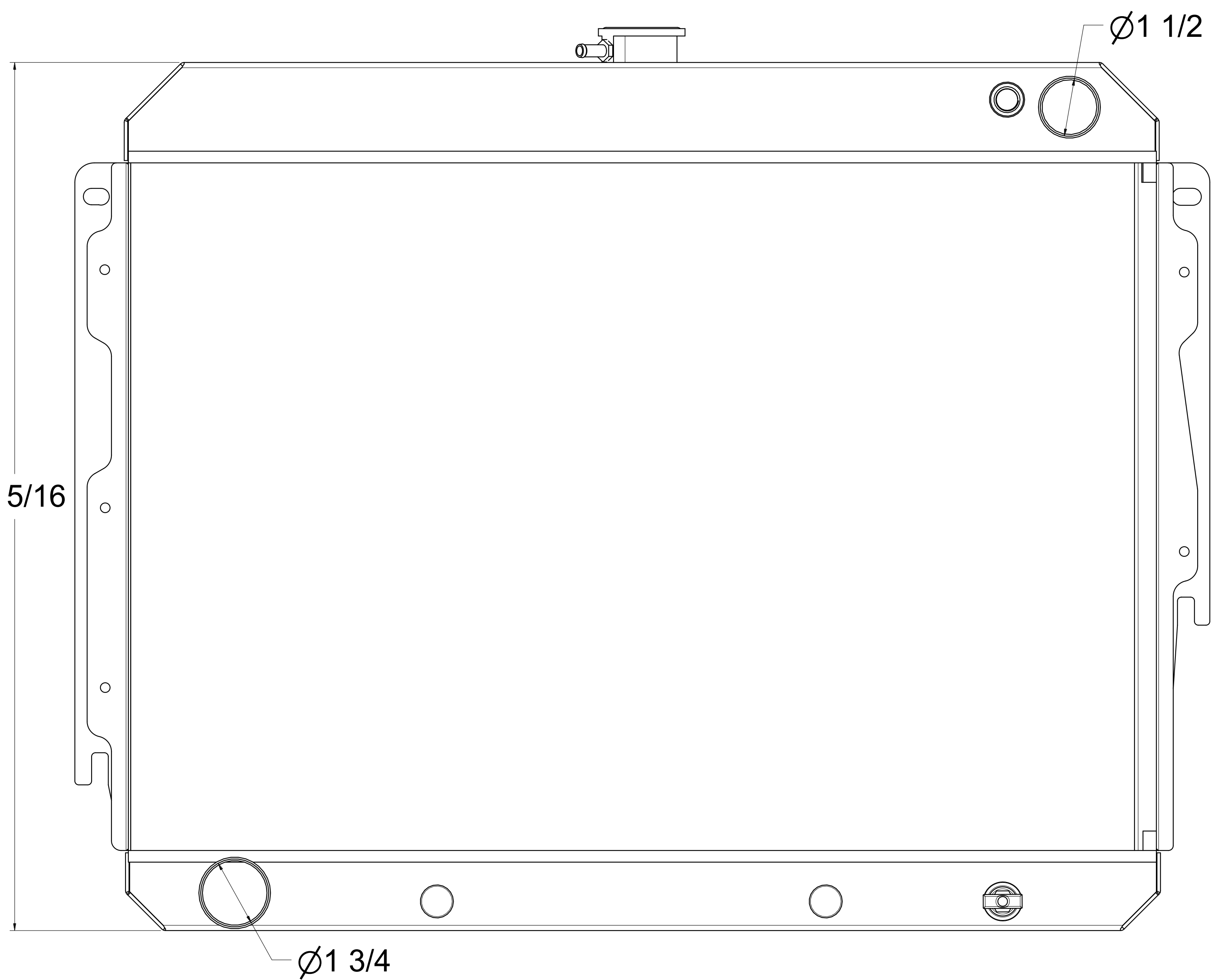
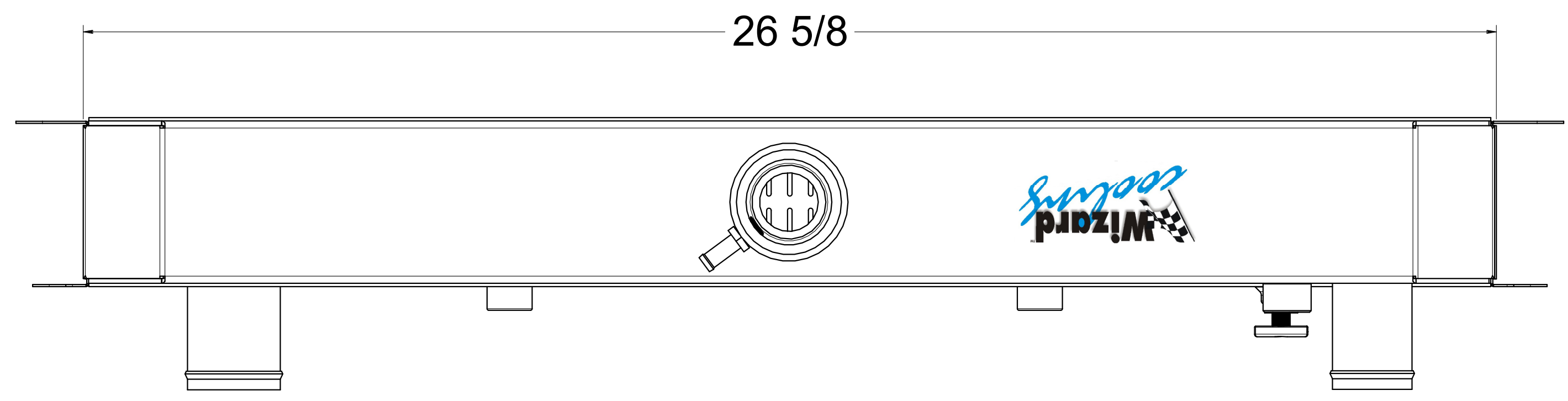



ZONE		REV	DESCRIPTION	DATE	APPROVED



	DRAWN SH	DATE 6-11-26	Title: 1-1640-210HC Automatic Transmission			
	CHECKED					
	QA		SIZE D	FSCM NO.	DWG NO.	REV -
	MFG		SCALE 1:1	SHEET		
APPROVED						