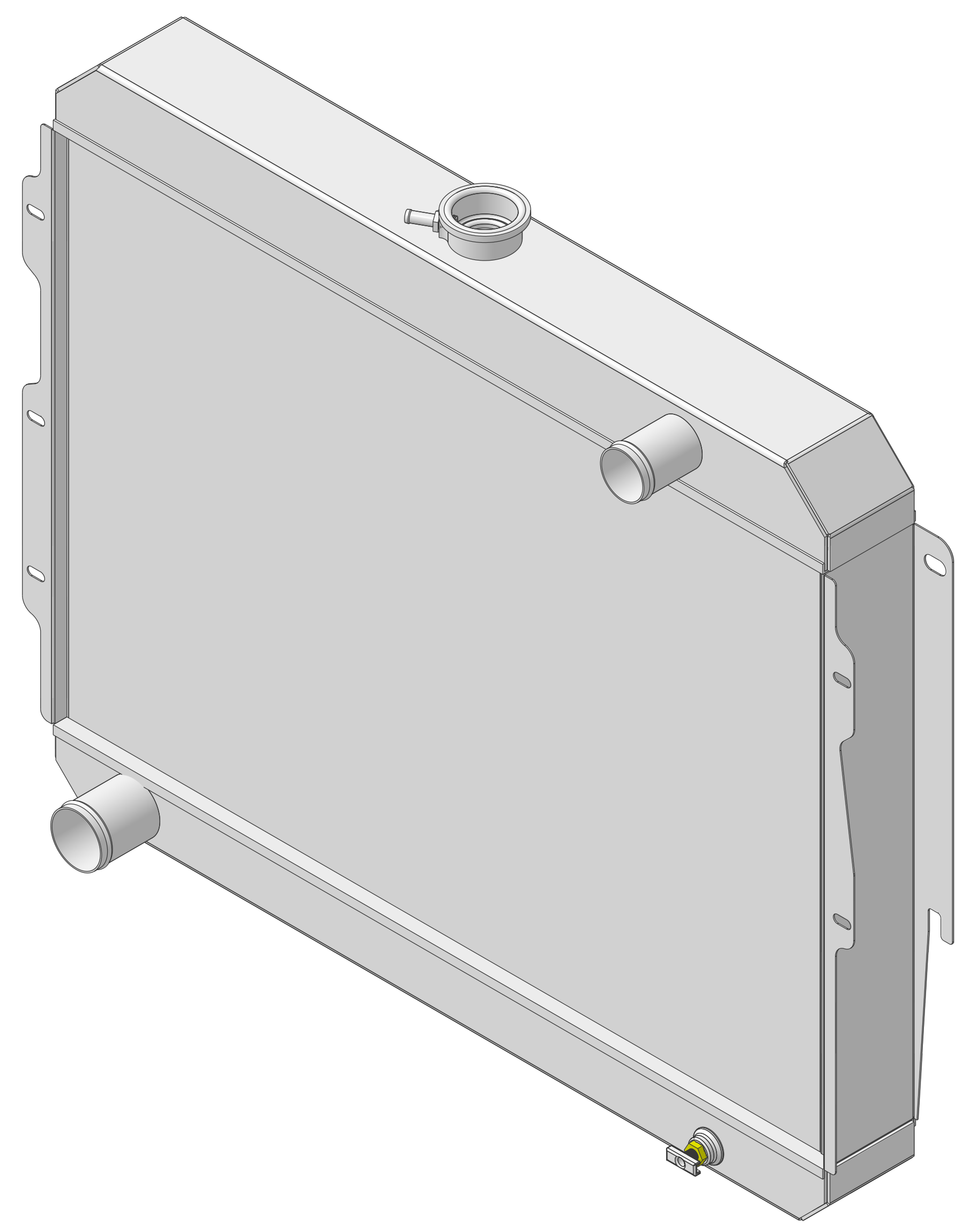
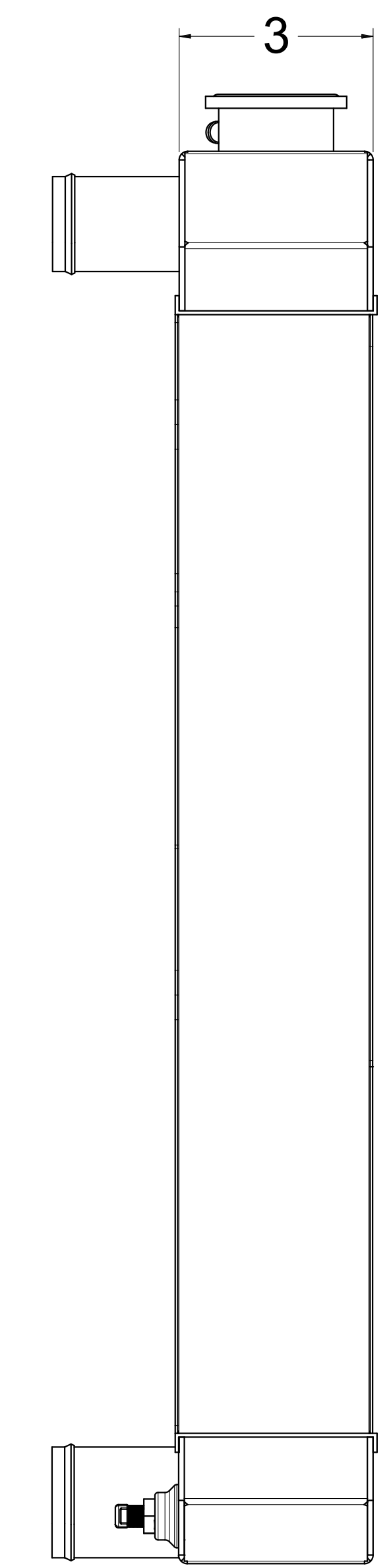
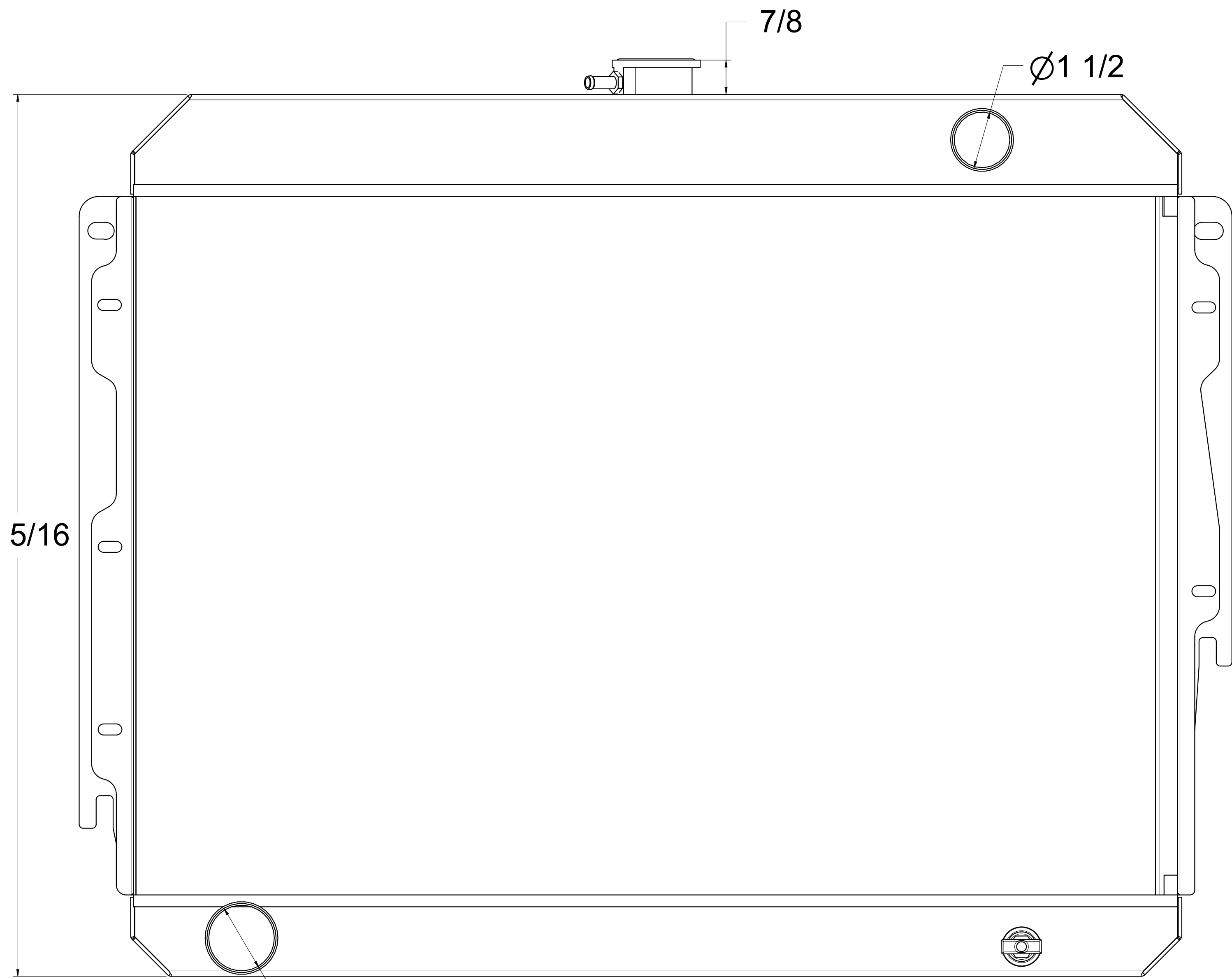
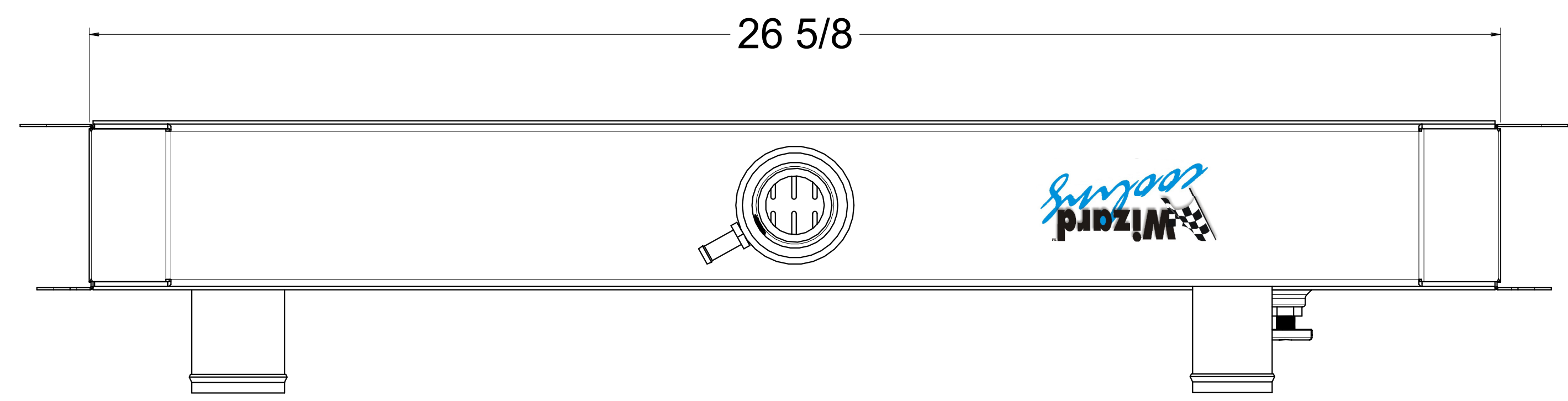



| REV | | DESCRIPTION | DATE | APPROVED |
|-----|--|-------------|------|----------|
| | | | | |



| SKU # | Transmission | Core Size |
|------------|--------------|-------------------------------------|
| 1-1640-100 | Manual | Standard (2 Rows Of 1" Tubes) |
| 1-1640-200 | Manual | Upgraded (2 Rows Of 1.25" Tubes) |

| | | | | |
|---|-------------|-----------------|--|----------|
|  | DRAWN SH | DATE 6-11-26 | Title: 1-1640-Radiator Manual Transmission | |
| | CHECKED | | | |
| | QA | | SIZE D | FSCM NO. |
| | MFG | | DWG NO. | REV - |
| | APPROVED | | SCALE 1:1 | SHEET |