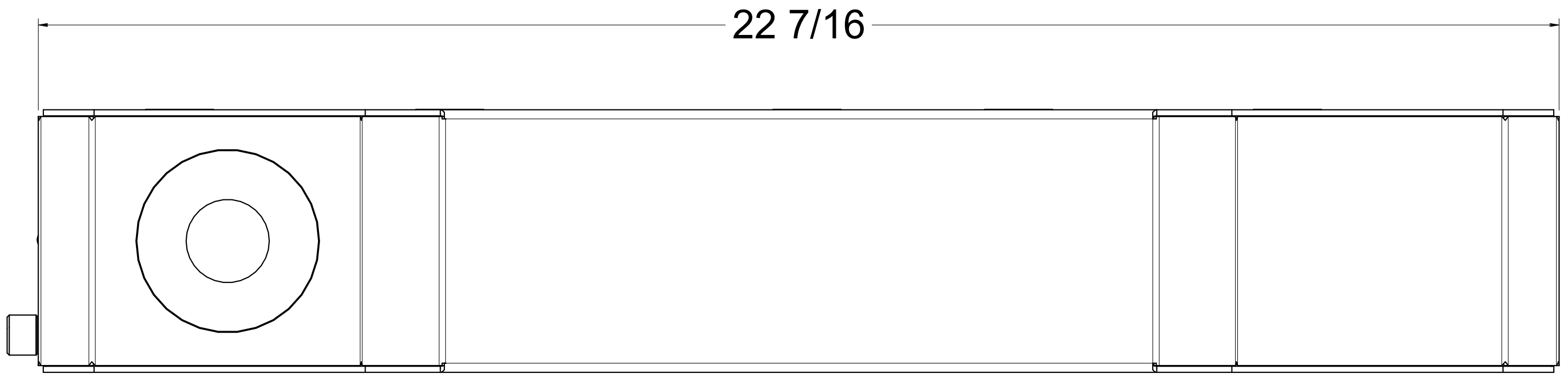


8 7 6 5 4 3 2 1

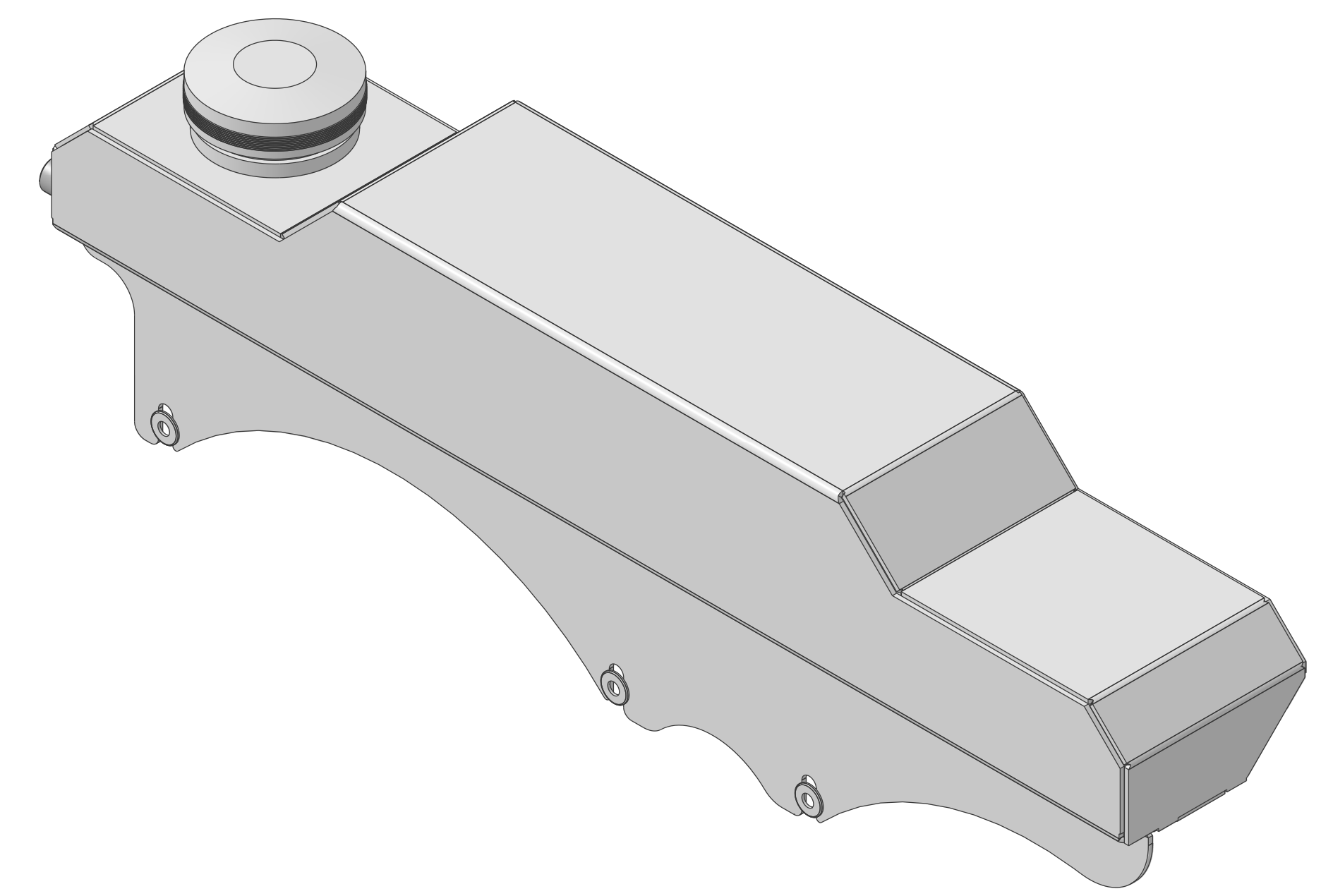
REVISIONS				
ZONE	REV	DESCRIPTION	DATE	APPROVED

D



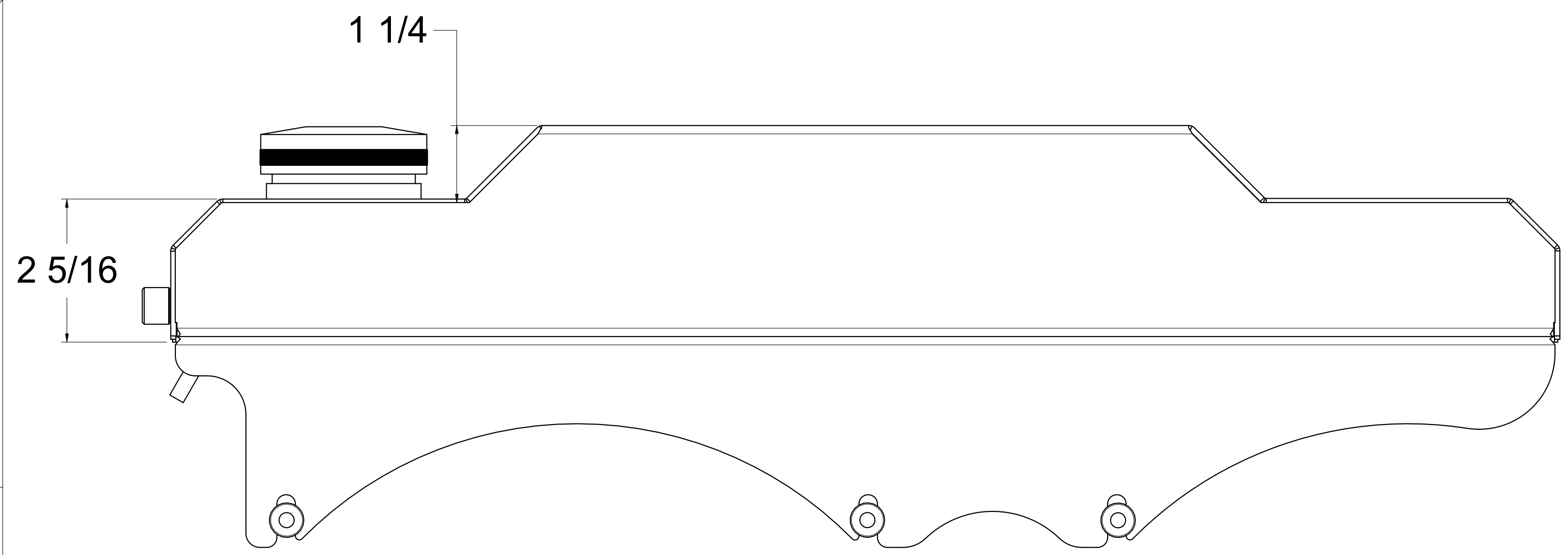
D

C

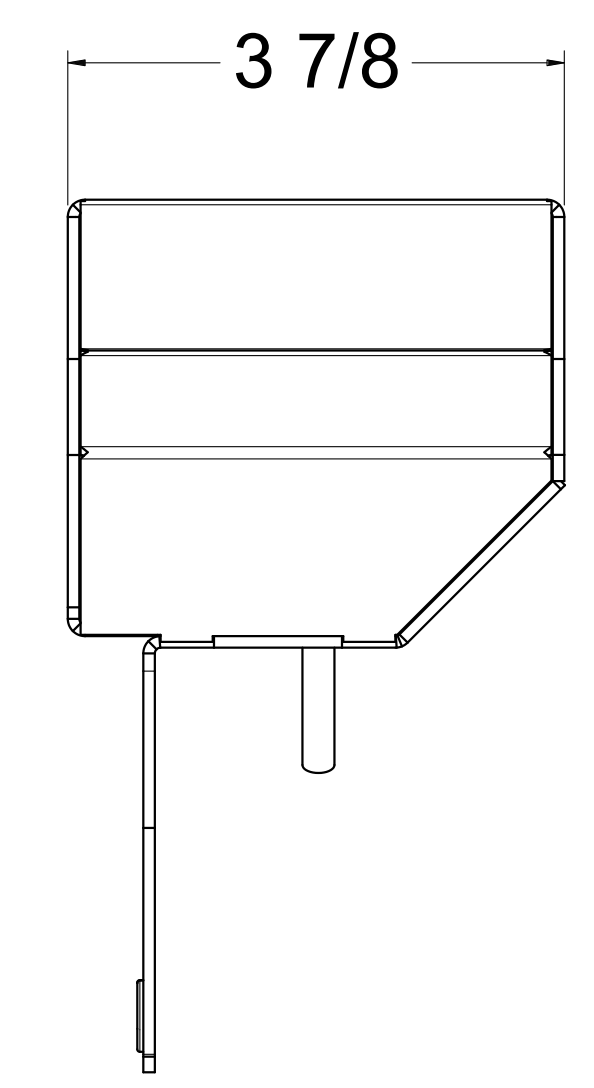


C

B



B



B

A

	DRAWN SH	DATE 6-12-26	Title: <b>1-1640-000X</b>		
	CHECKED				
	QA				
	MFG				
APPROVED		SIZE D	FSCM NO.	DWG NO.	REV -
SCALE 1:1		SHEET			

A

8 7 6 5 4 3 2 1