

ZONE		REV	DESCRIPTION	DATE	APPROVED

D

D

C

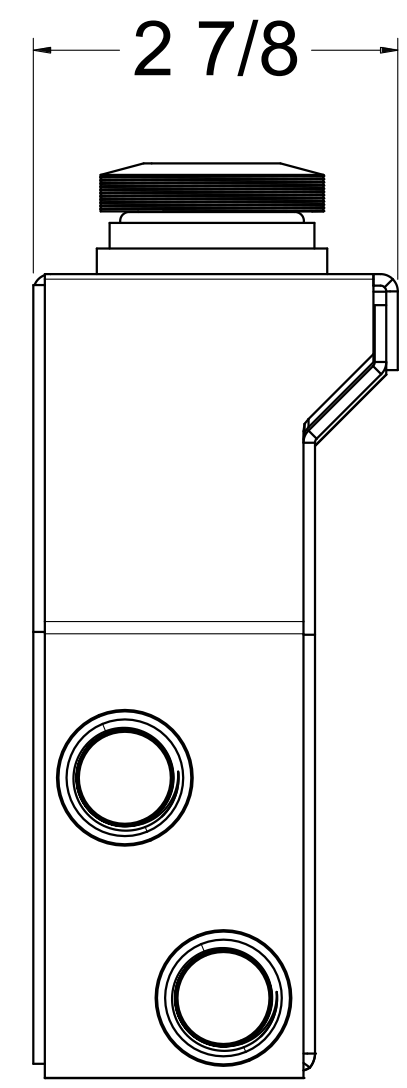
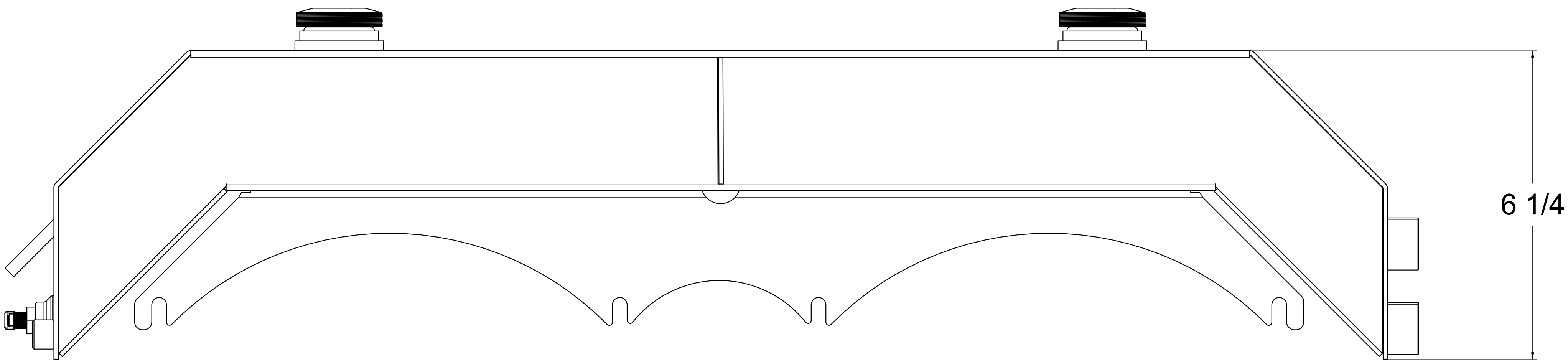
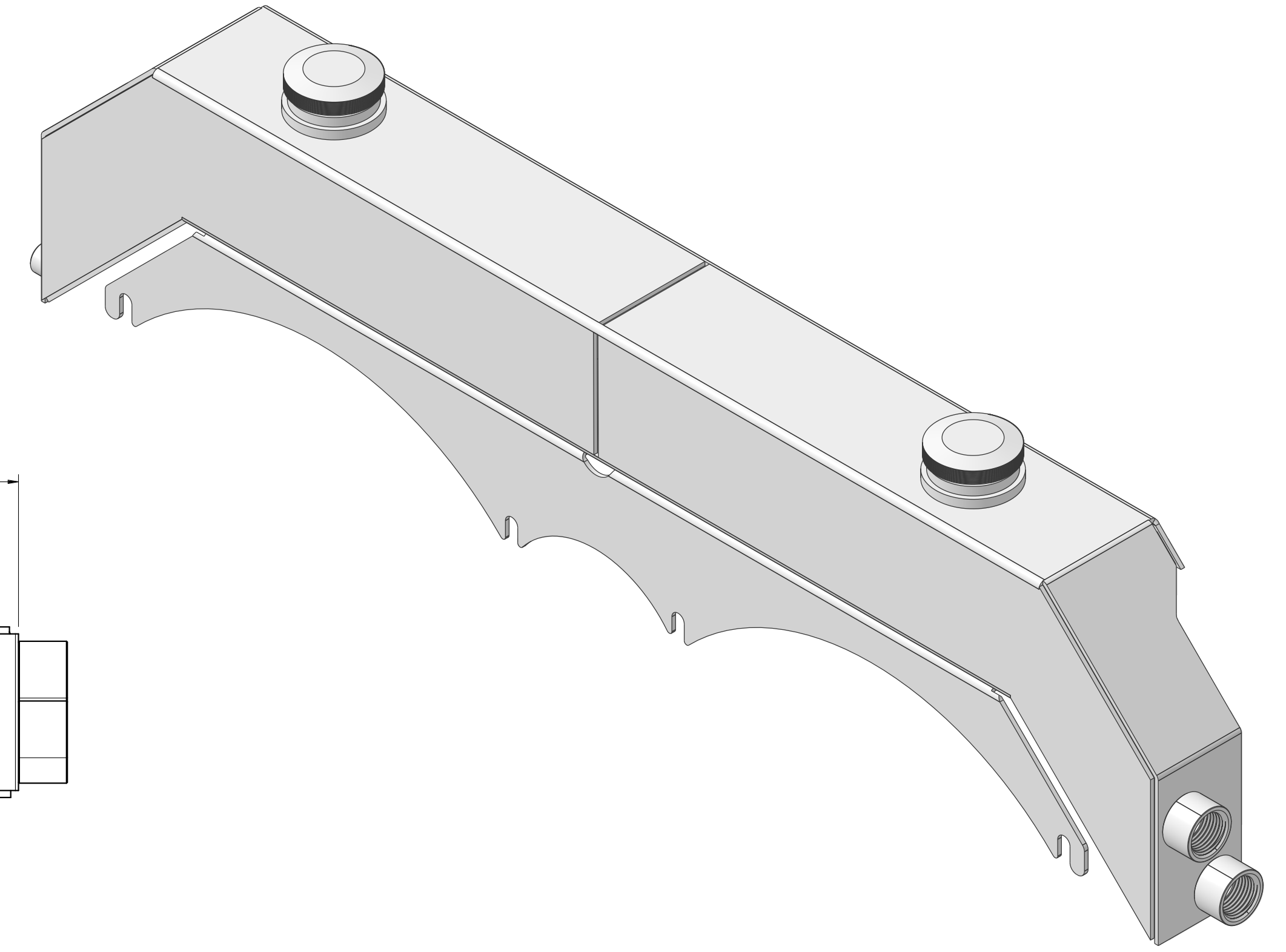
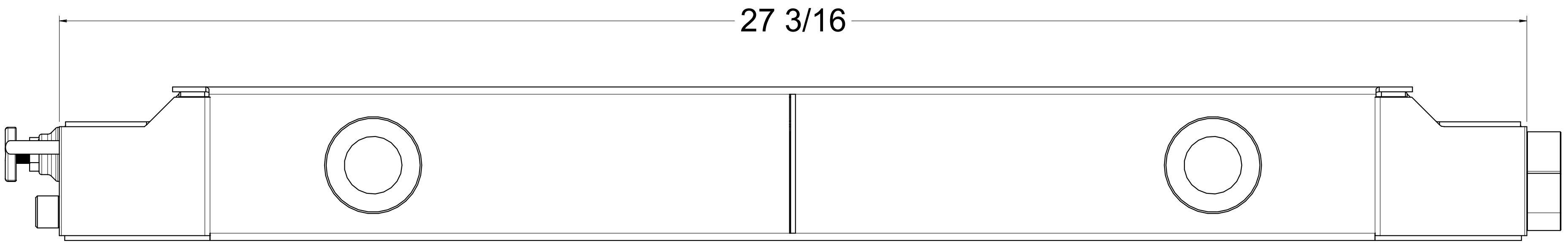
C


B

B

A

A



 <p>Wizard cooling Custom Aluminum Radiators</p>	DRAWN SH	DATE 6-23-26	Title: 1-1451-000XX			
	CHECKED					
	QA		SIZE D	FSCM NO.	DWG NO.	REV -
	MFG		SCALE 1:1	SHEET		
	APPROVED					

8

7

6

5

4

3

2

1