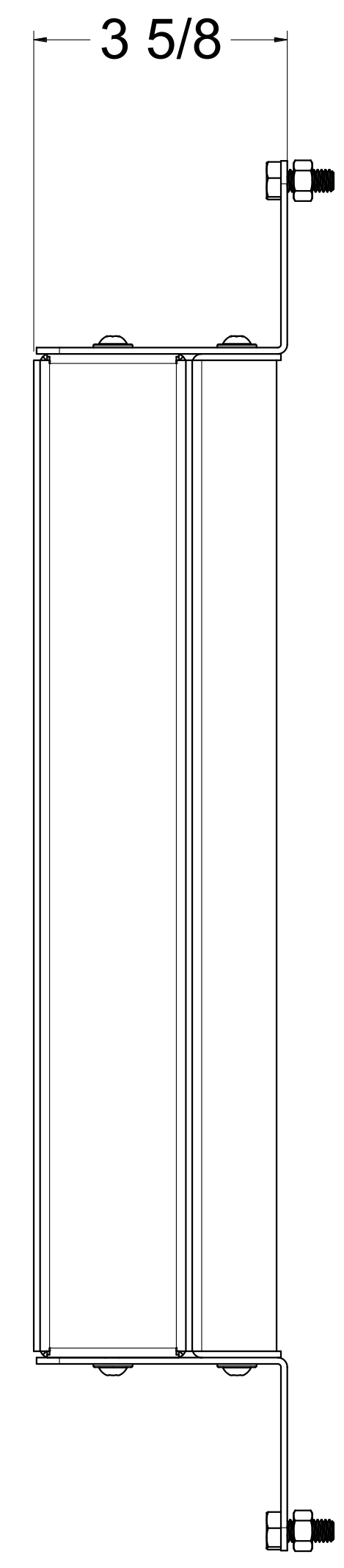
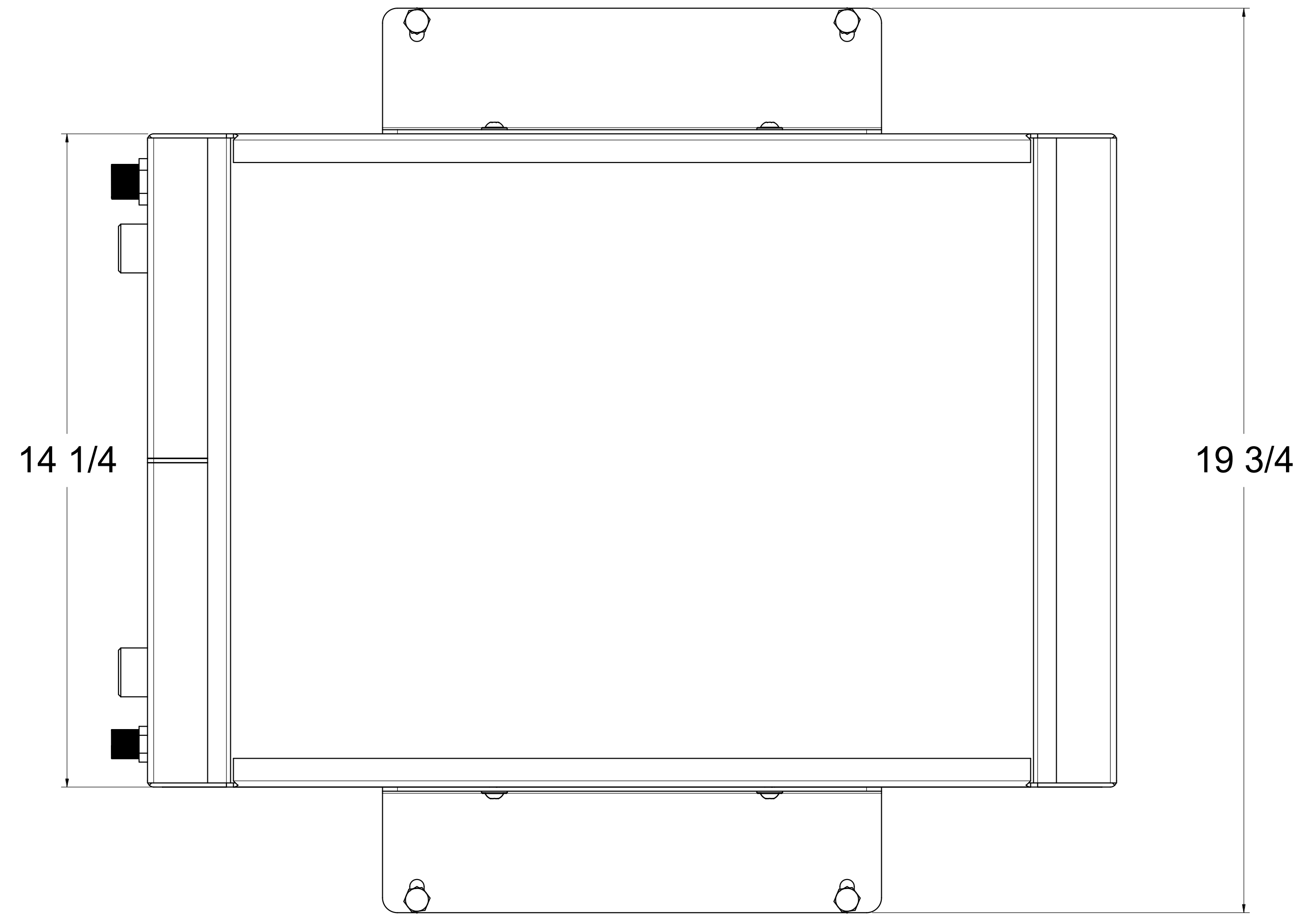
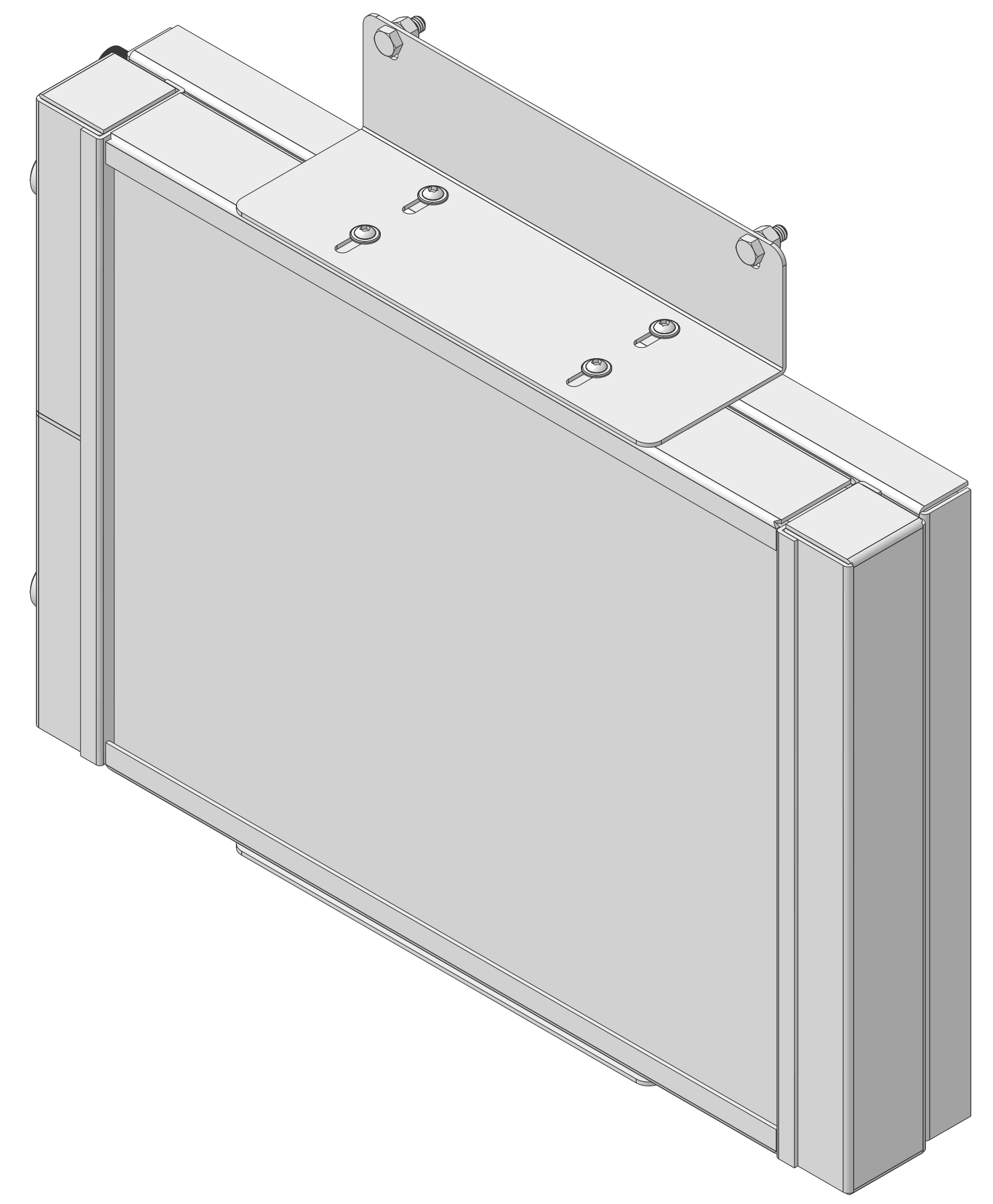
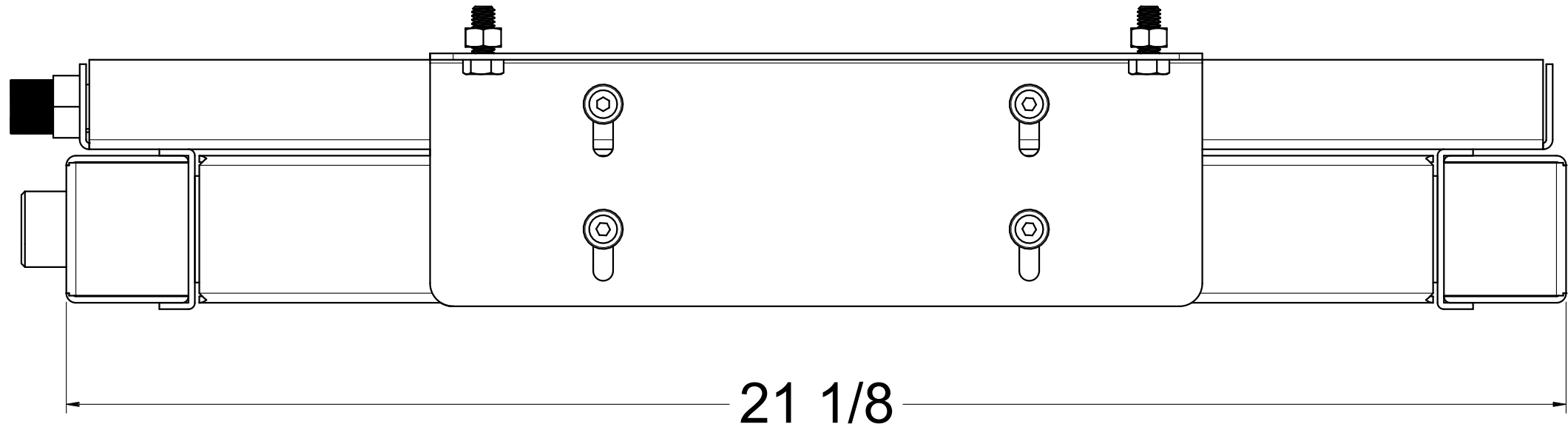



REVISIONS				
ZONE	REV	DESCRIPTION	DATE	APPROVED



 <p><b>Wizard</b> <i>cooling</i> Custom Aluminum Radiators</p>	DRAWN SH	DATE 6-23-26	Title: <b>1-1451-000ACIN</b>			
	CHECKED					
	QA		SIZE D	FSCM NO.	DWG NO.	REV -
	MFG		SCALE 1:1	SHEET		
APPROVED						