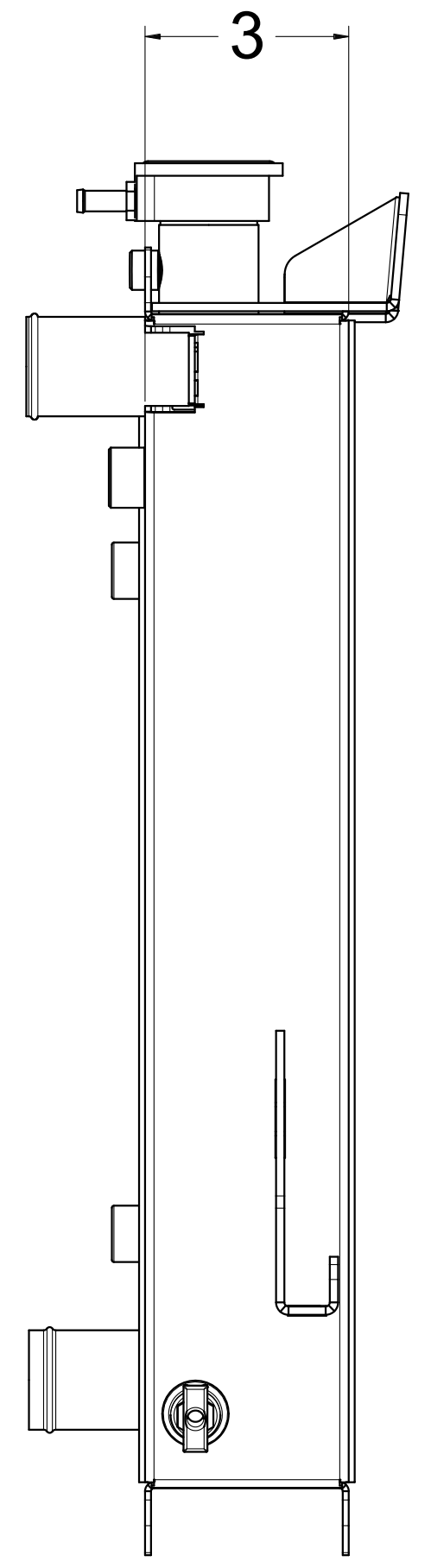
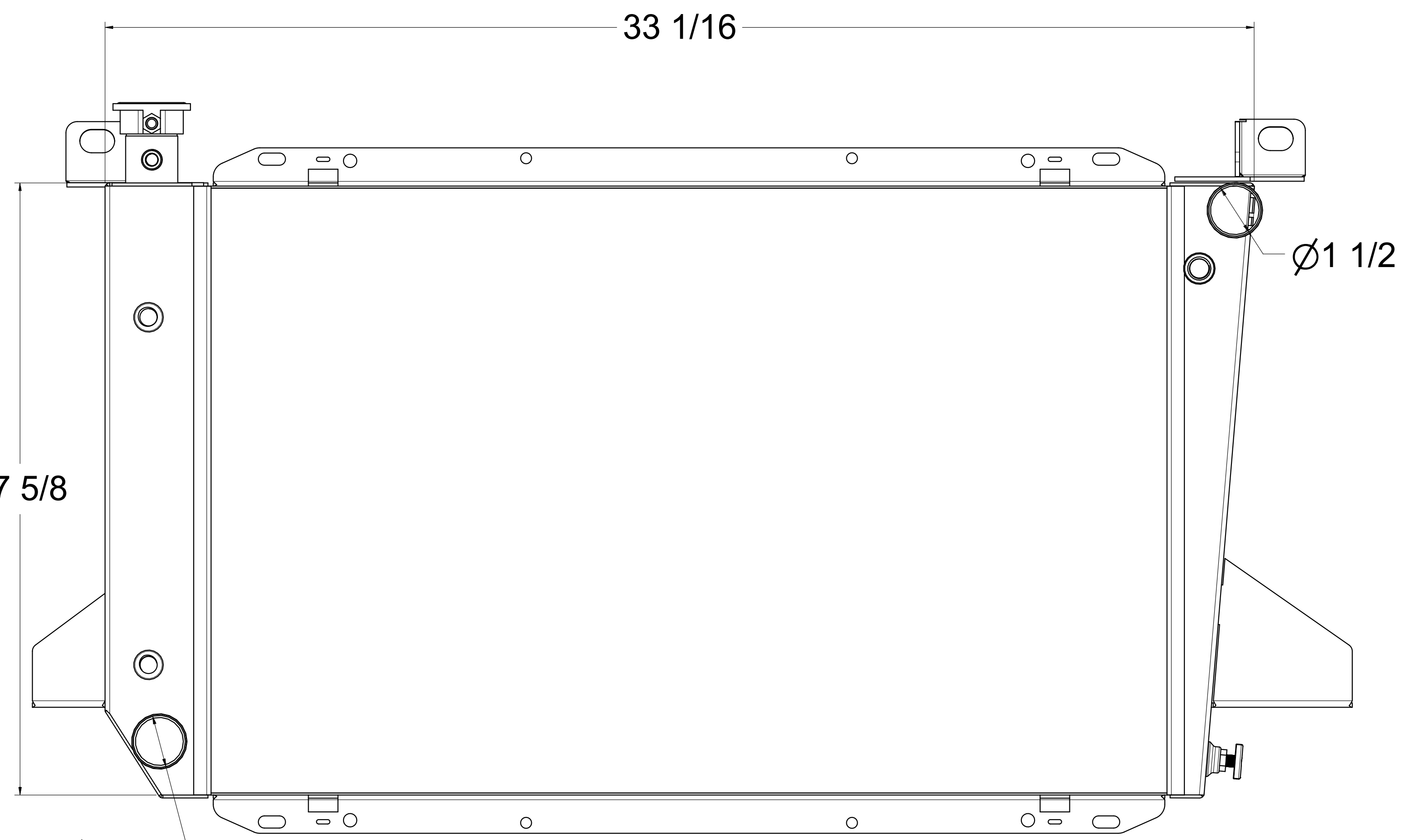
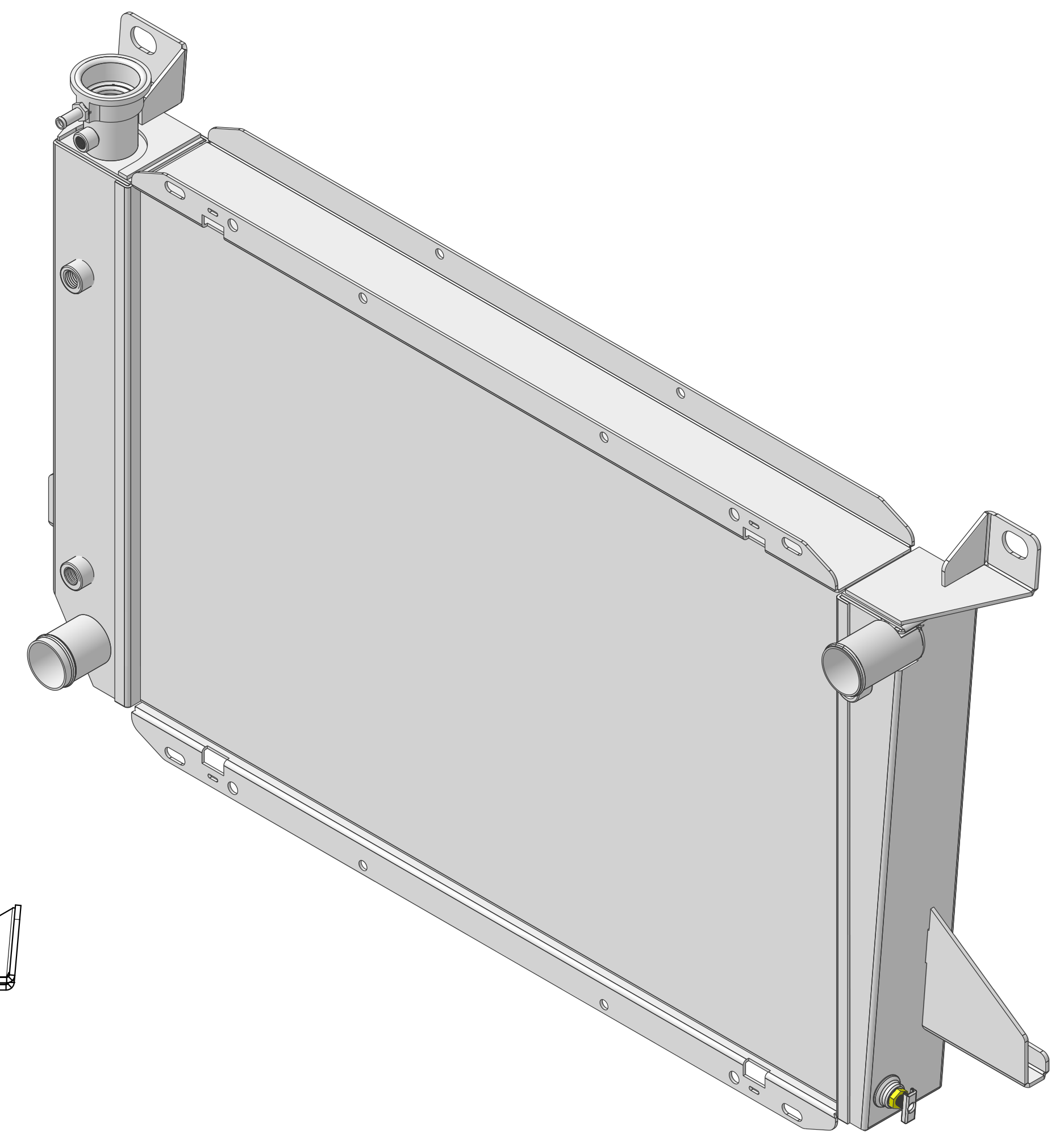
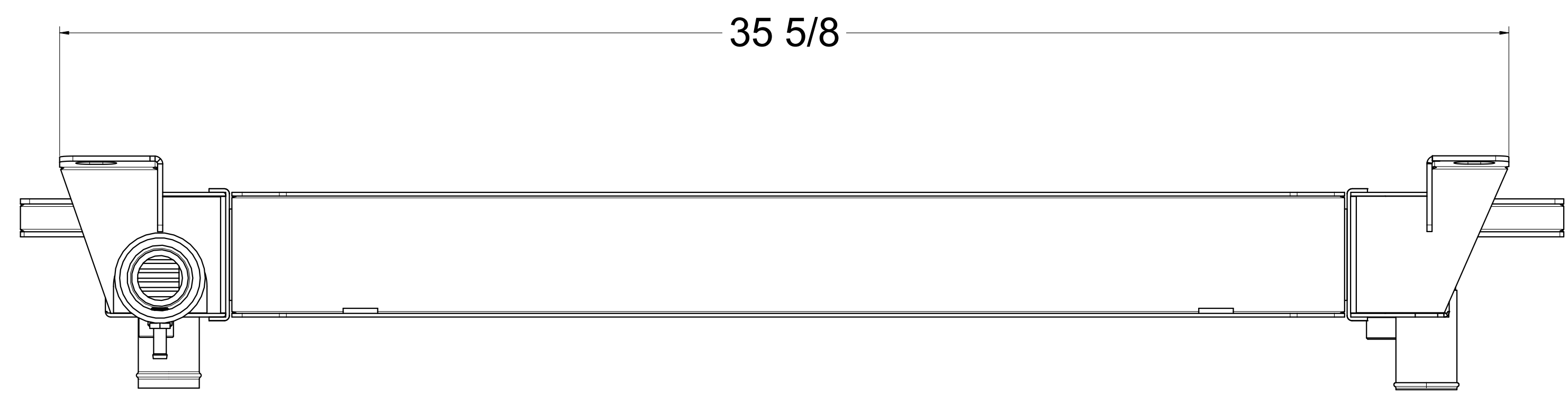


ZONE		REV	DESCRIPTION	DATE	APPROVED



DRAWN	SH	DATE	6-23-26
CHECKED			
QA			
MFG			
APPROVED			

Title:			
1-1451-210CS			
SIZE	FSCM NO.	DWG NO.	REV
D			-
SCALE	1:1	SHEET	

D
C
B
A

D
C
B
A

8 7 6 5 4 3 2 1

8 7 6 5 4 3 2 1