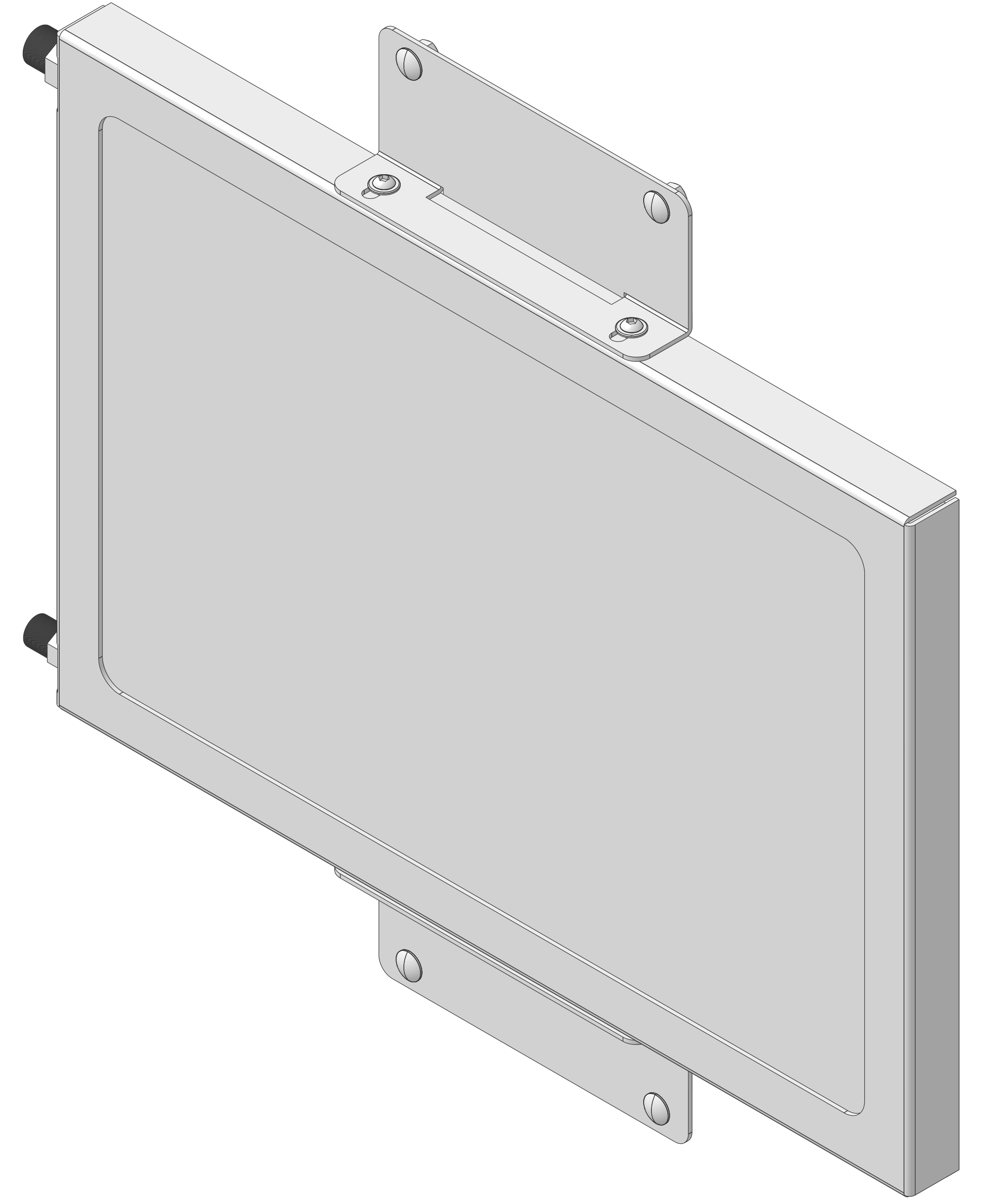
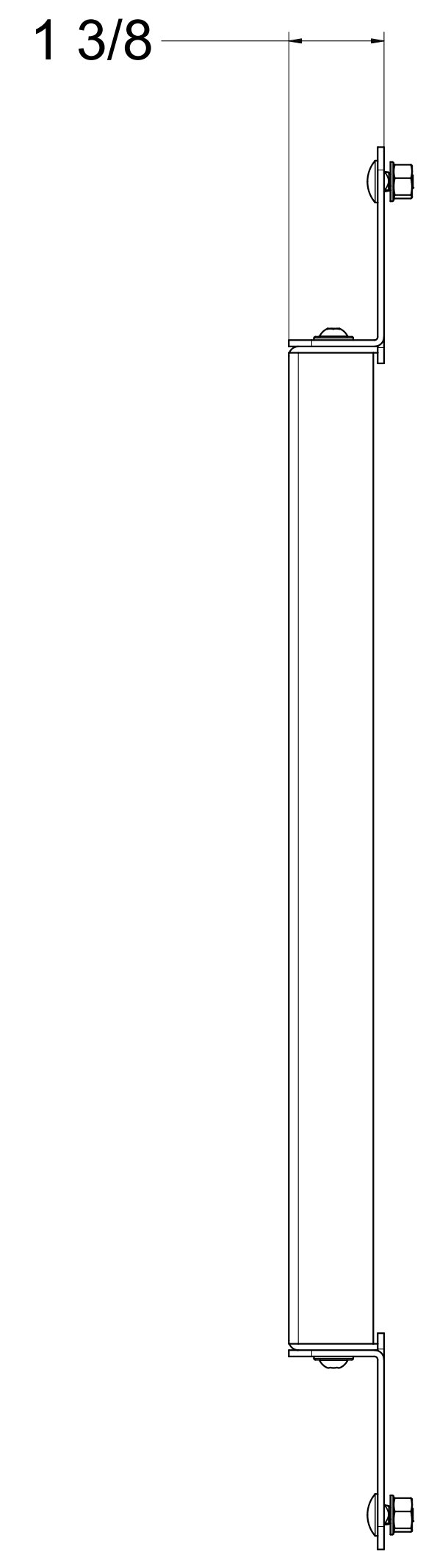
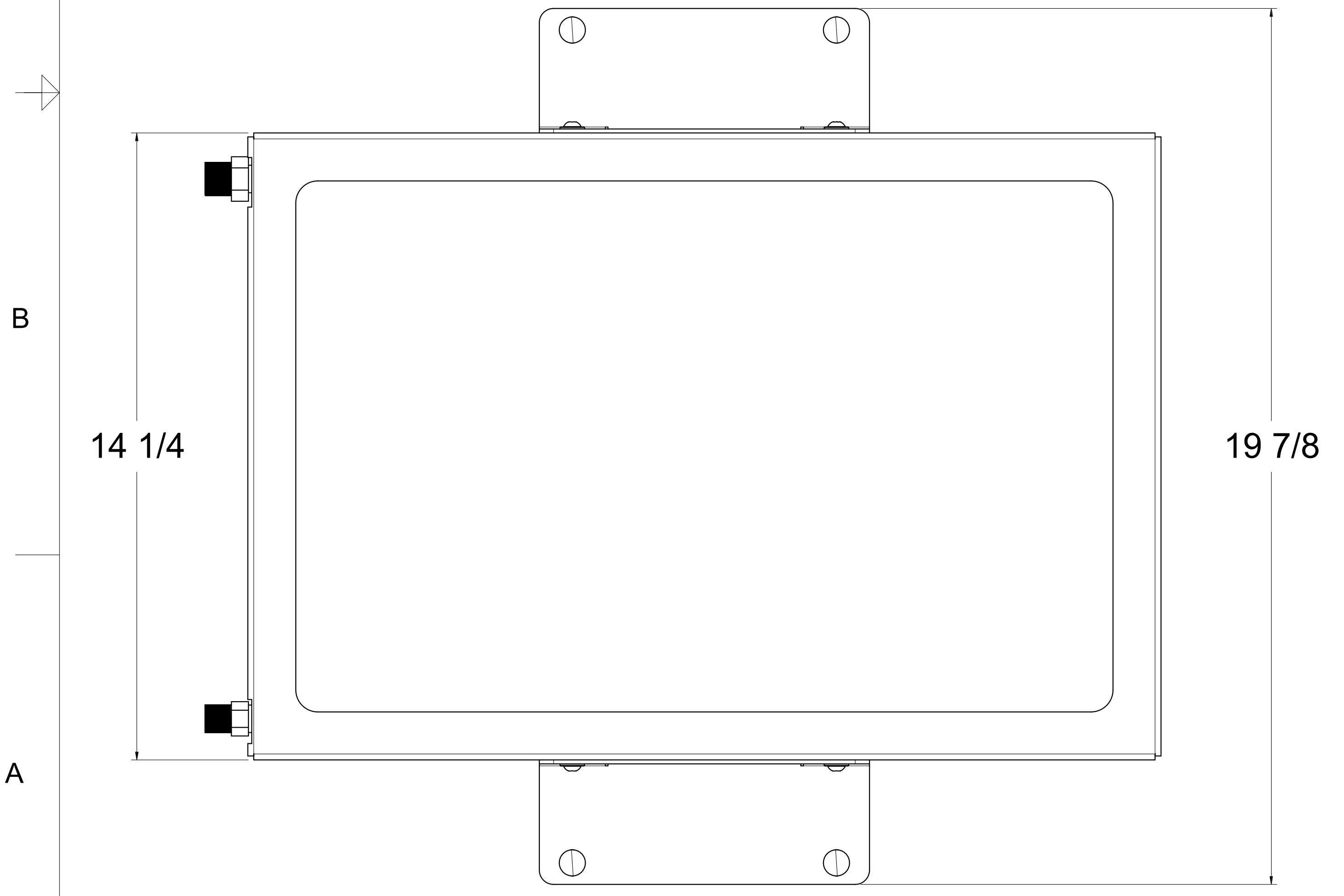
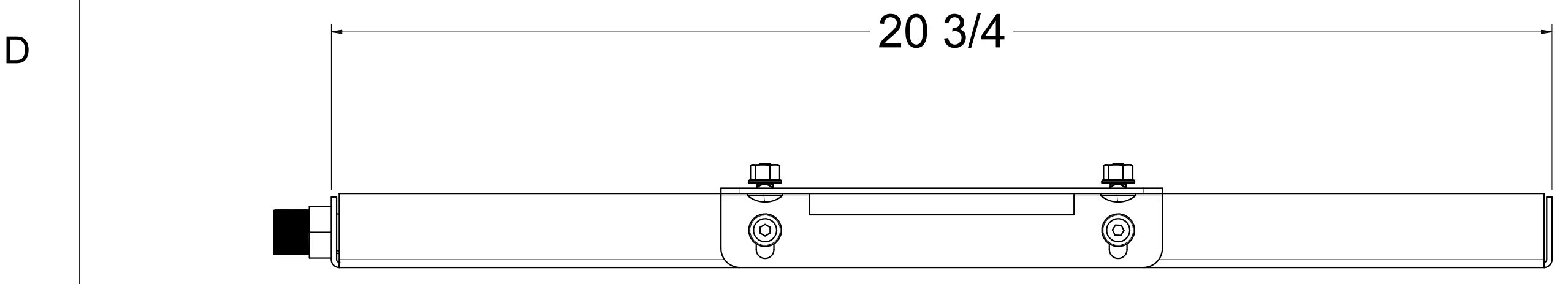



ZONE		REV	DESCRIPTION	DATE	APPROVED



 Wizard <i>cooling</i> Custom Aluminum Radiators	DRAWN SH	DATE 6-24-26	Title: 1-556-000AC		
	CHECKED		SIZE D	FSCM NO.	DWG NO.
	QA		SCALE 1:1	SHEET	
	MFG				REV -
	APPROVED				