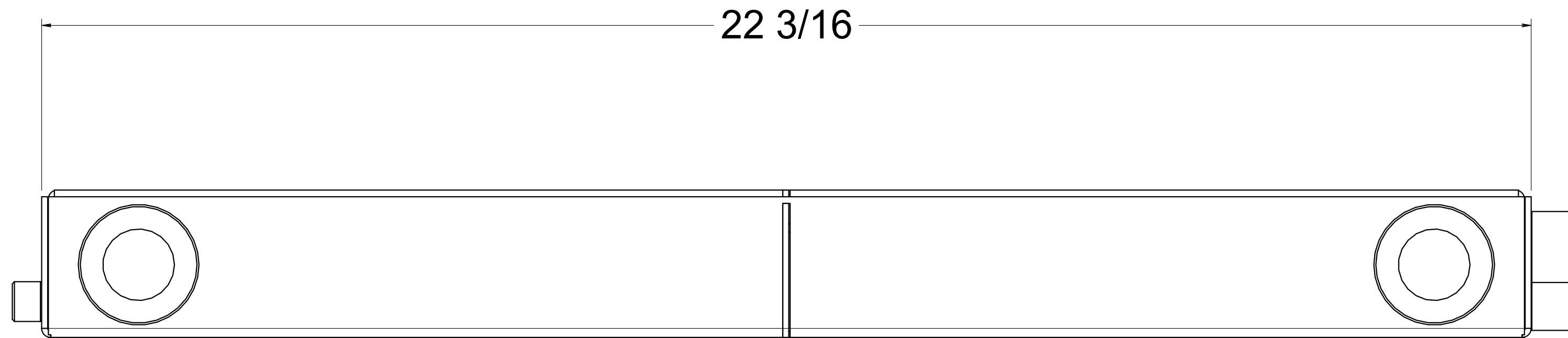


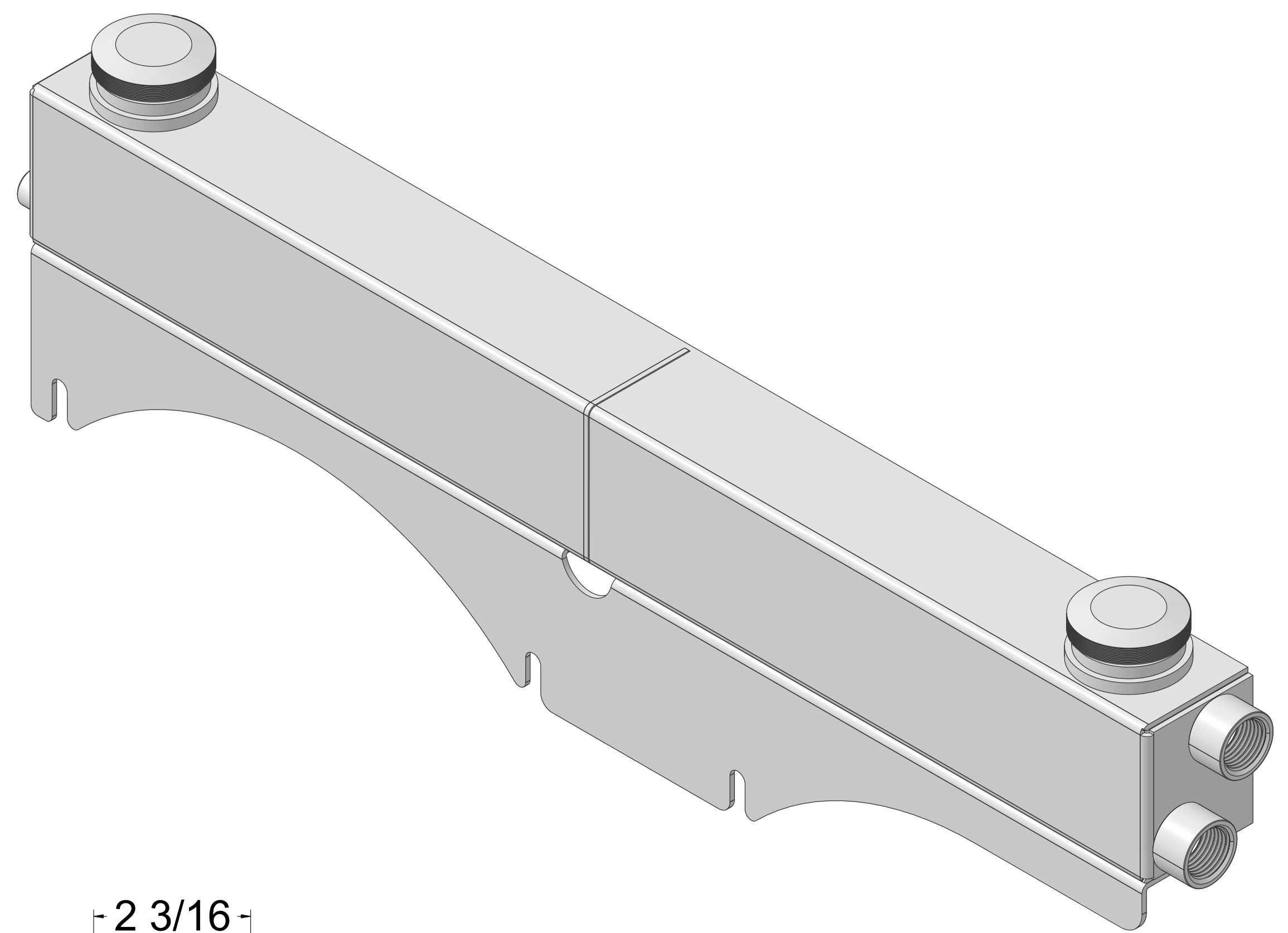
8 7 6 5 4 3 2 1

ZONE		REV	DESCRIPTION	DATE	APPROVED
REVISIONS					

D



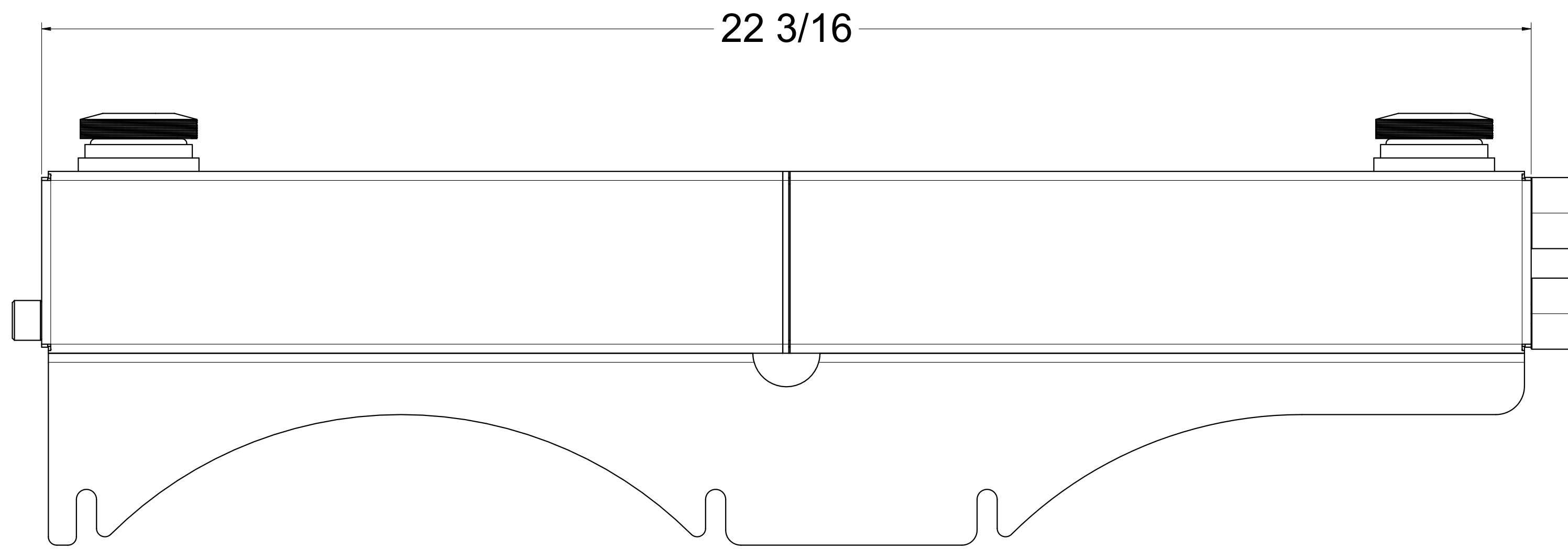
D



C

C

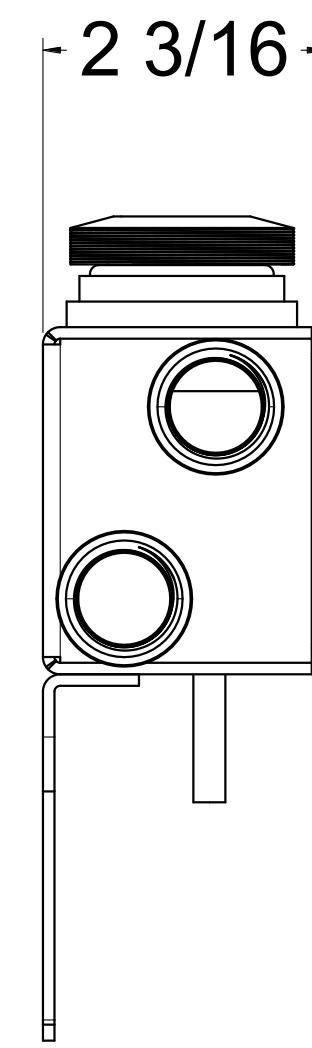
B



B

B

B



A

A

8 7 6 5 4 3 2 1

	DRAWN SH	DATE 6-24-26	Title: 1-556-000XX		
	CHECKED				
	QA		SIZE D	FSCM NO.	DWG NO.
	MFG		SCALE 1:1	SHEET	
APPROVED					REV -