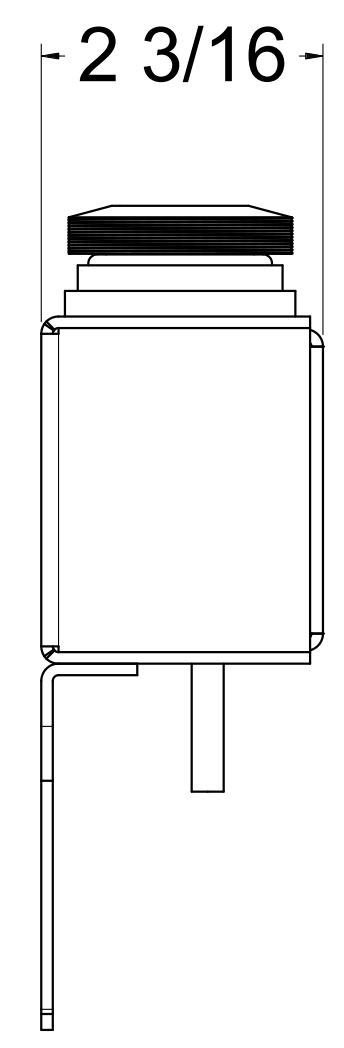
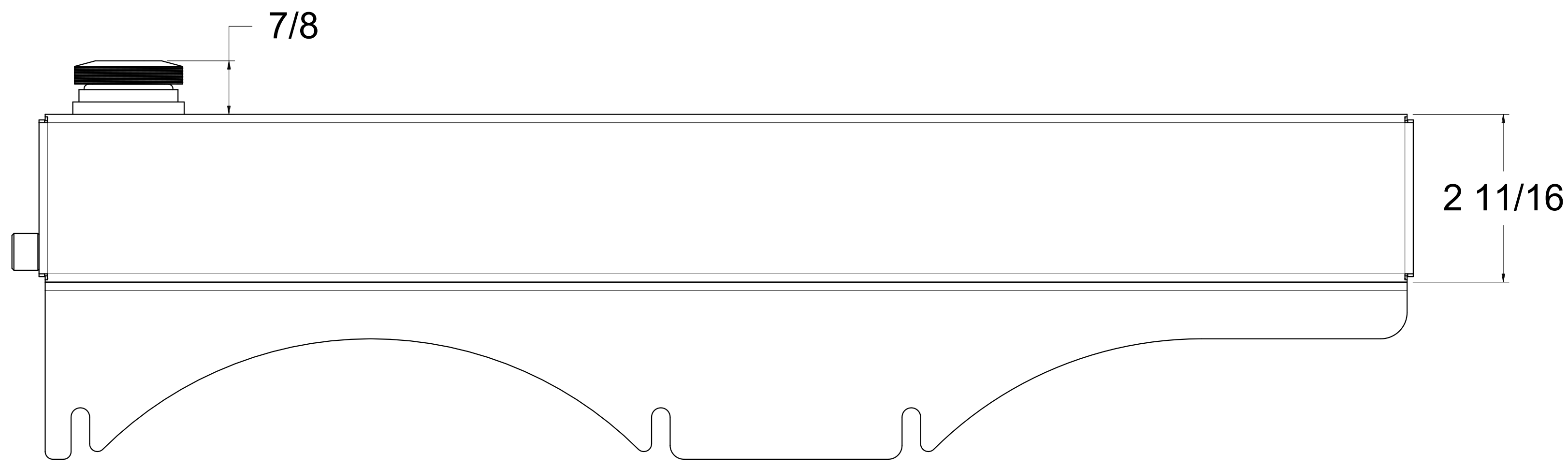
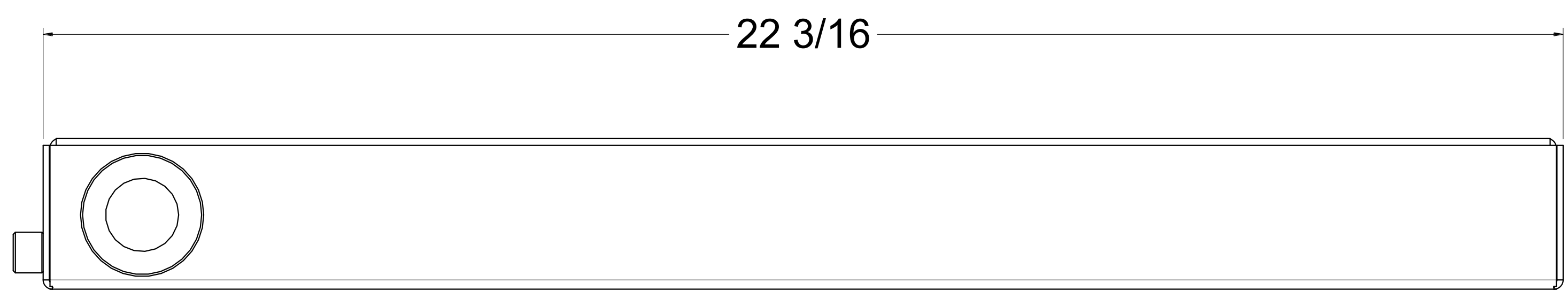
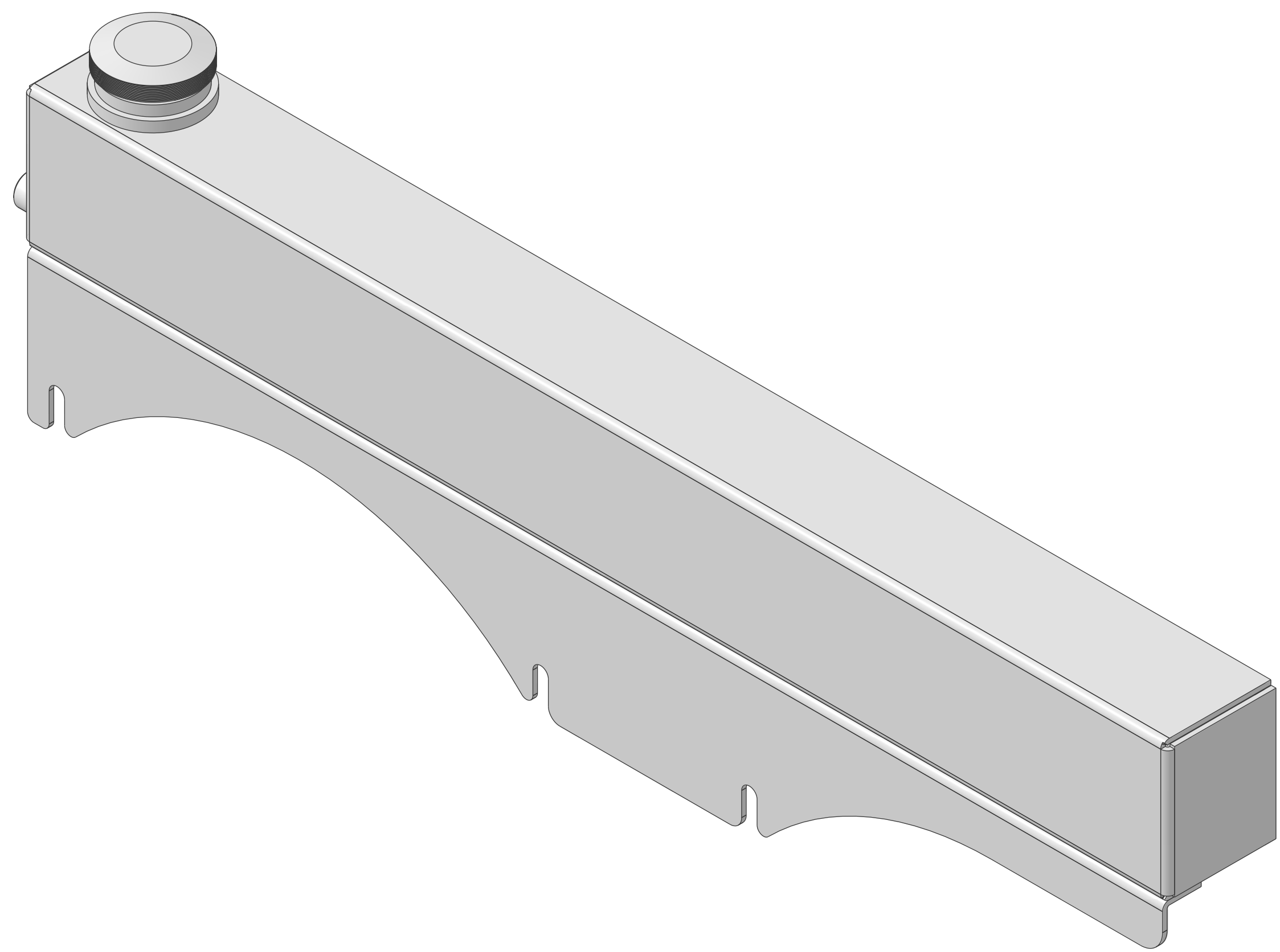


REVISIONS				
ZONE	REV	DESCRIPTION	DATE	APPROVED



DRAWN SH	DATE 6-24-26
CHECKED	
QA	
MFG	
APPROVED	

Title: 1-556-000X			
SIZE D	FSCM NO.	DWG NO.	REV -
SCALE 1:1	SHEET		

D

C

B

A

D

C

B

A

8 7 6 5 4 3 2 1

8 7 6 5 4 3 2 1