

8 7 6 5 4 3 2 1

REVISIONS				
ZONE	REV	DESCRIPTION	DATE	APPROVED

D

C

B

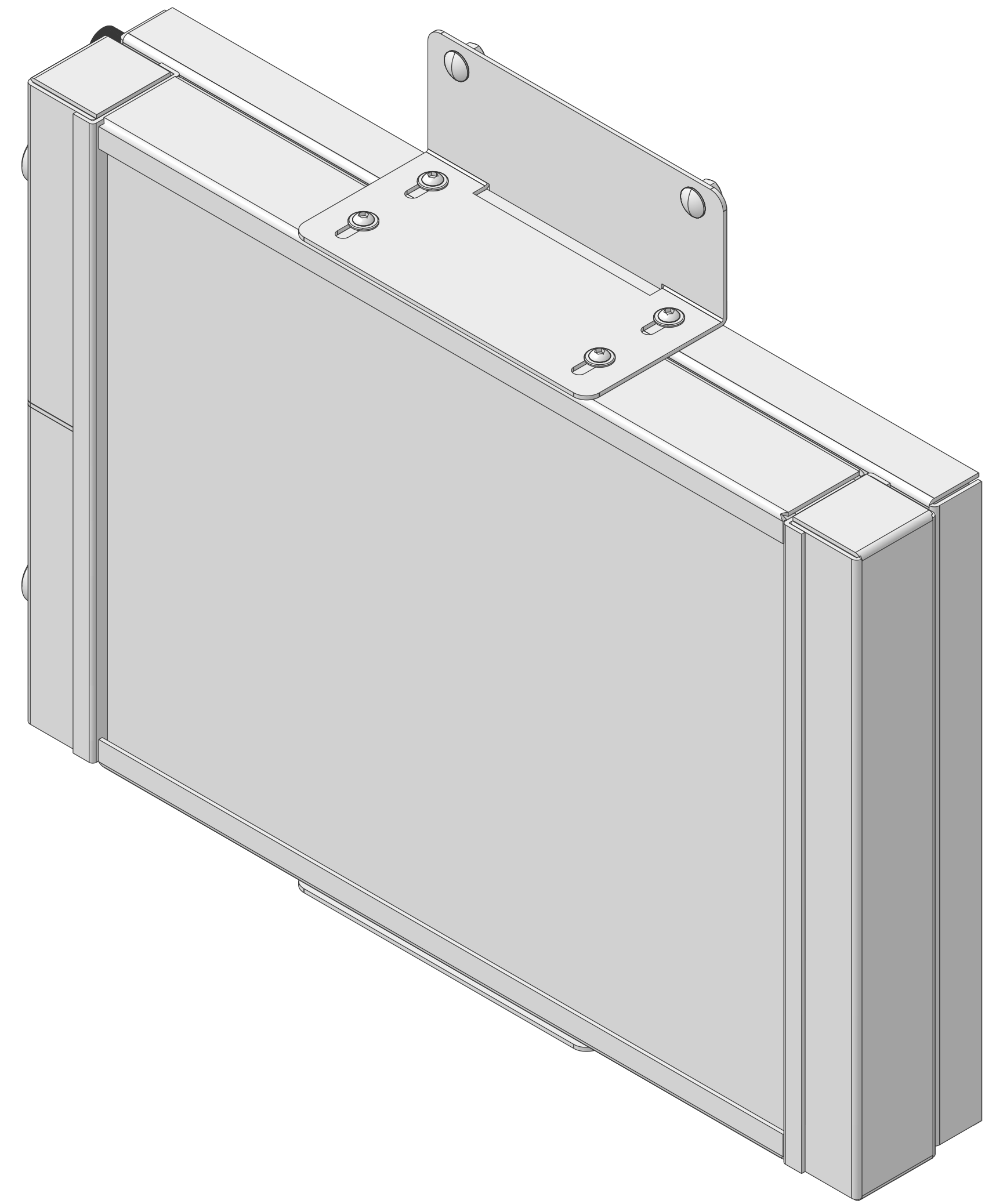
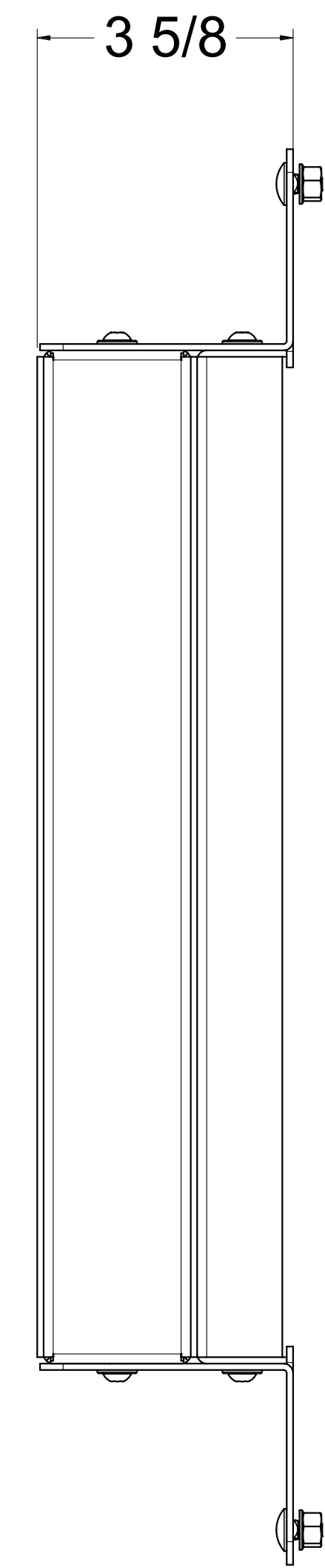
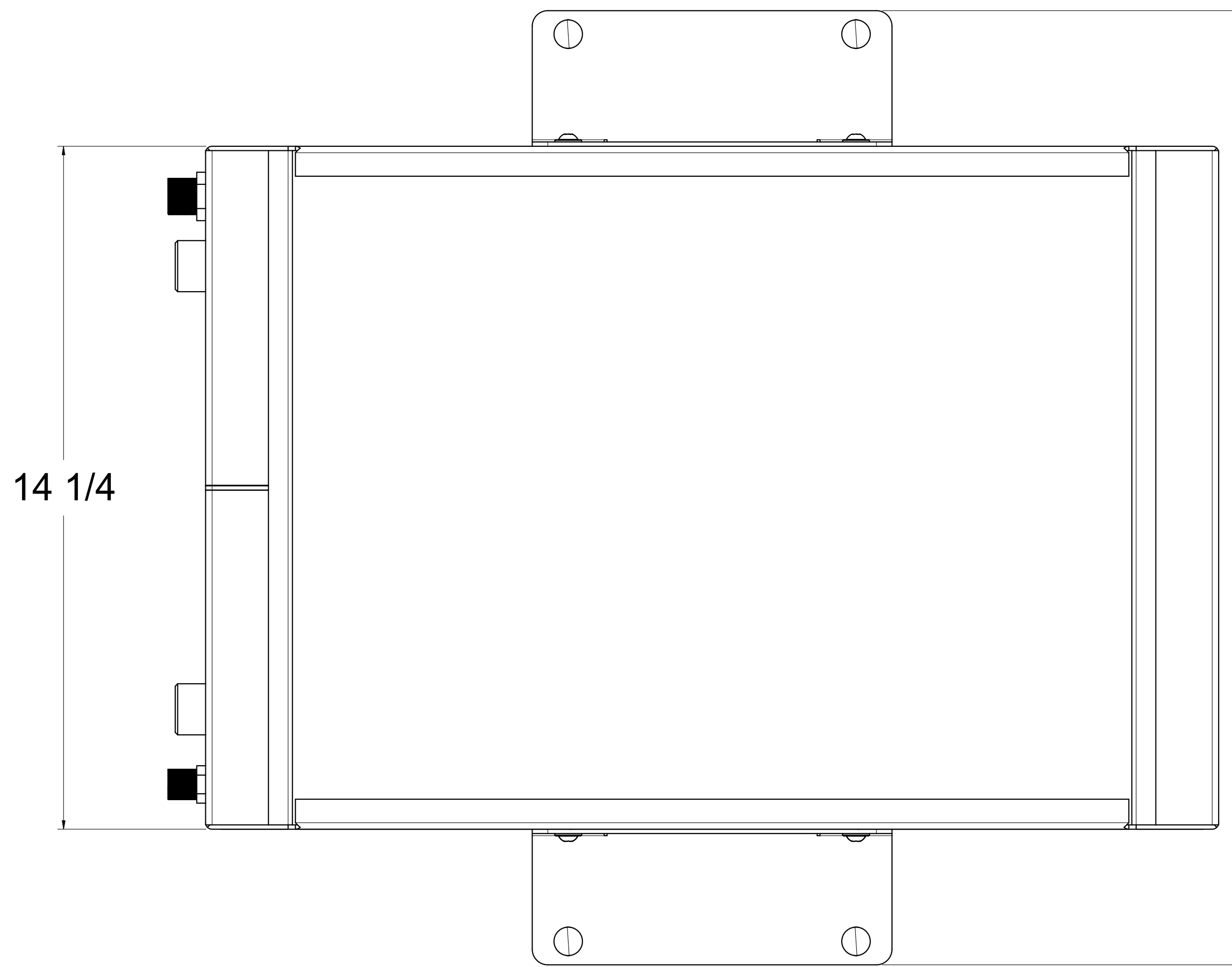
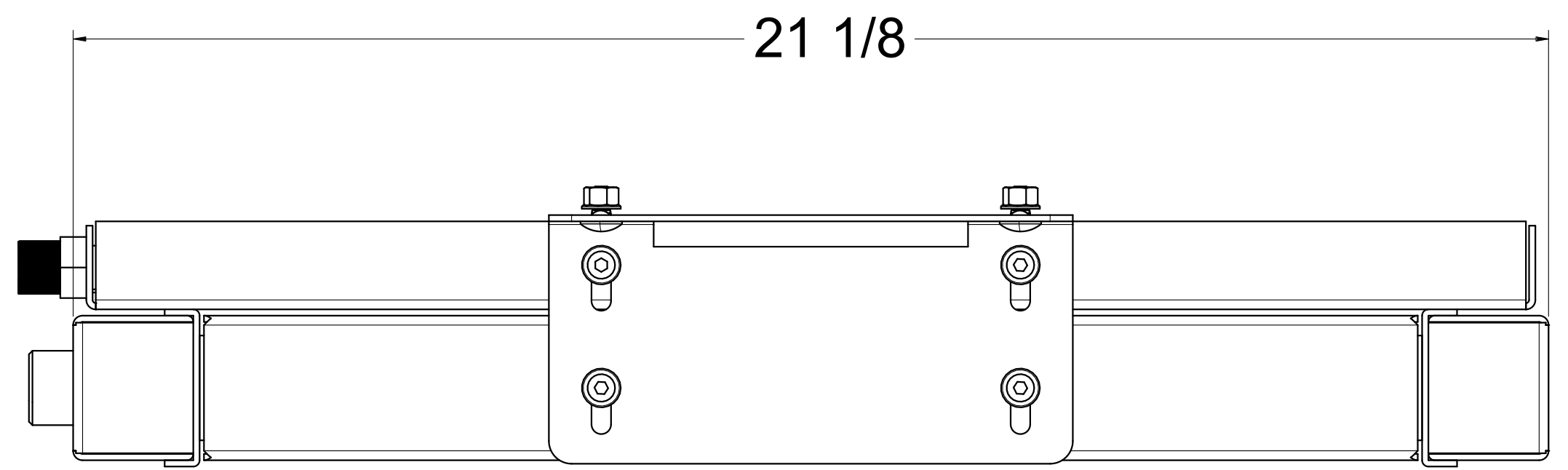
A


D

C

B

A



 <p>Wizard cooling Custom Aluminum Radiators</p>	DRAWN SH	DATE 6-24-26	Title: <h1>1-556-000ACIN</h1>		
	CHECKED				
	QA				
	MFG		SIZE	FSCM NO.	DWG NO.
APPROVED		D			-
SCALE 1:1		SHEET			

8 7 6 5 4 3 2 1