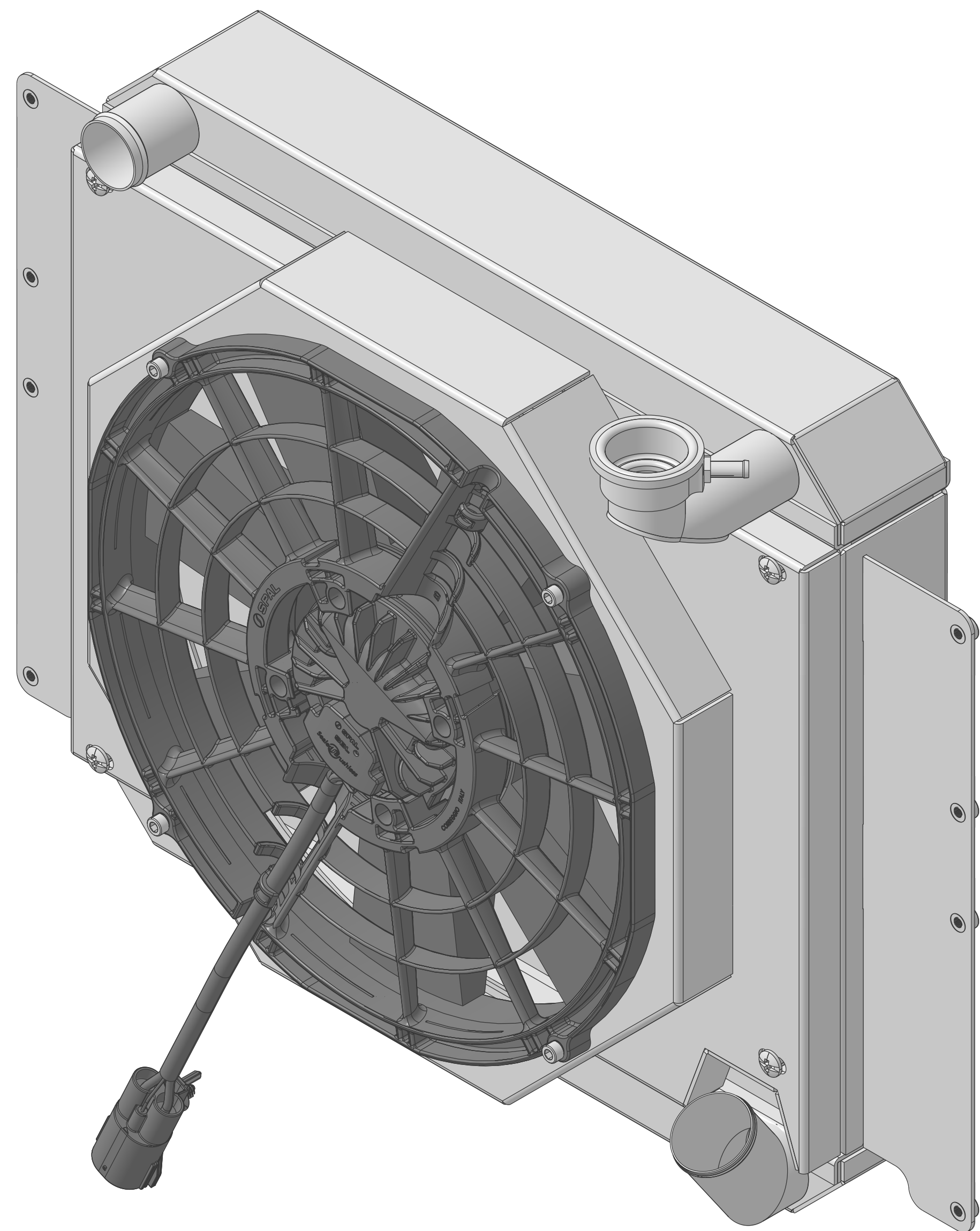
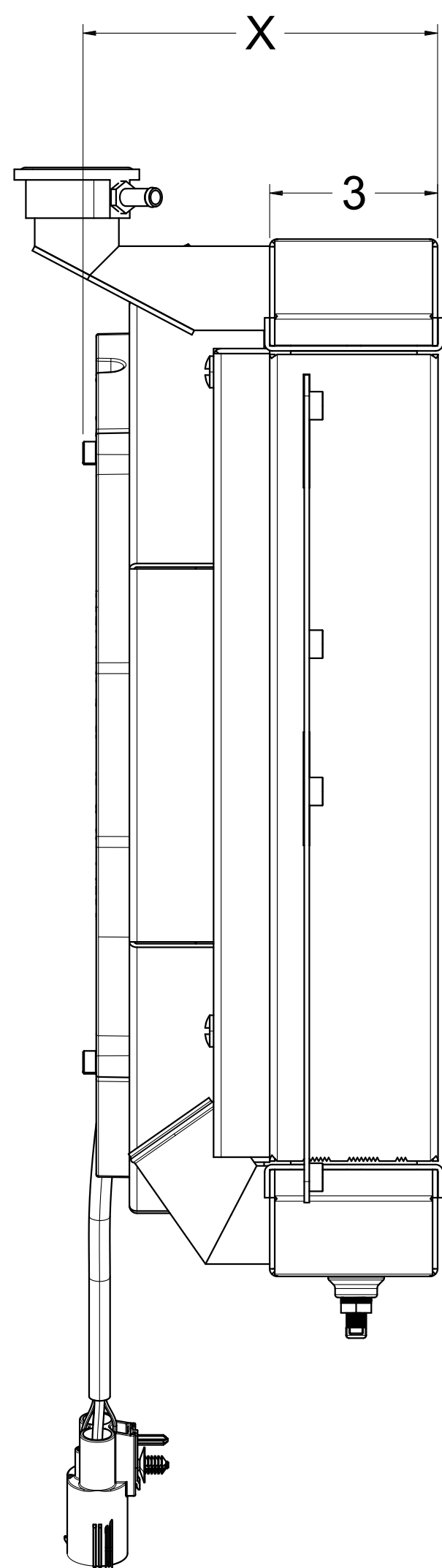
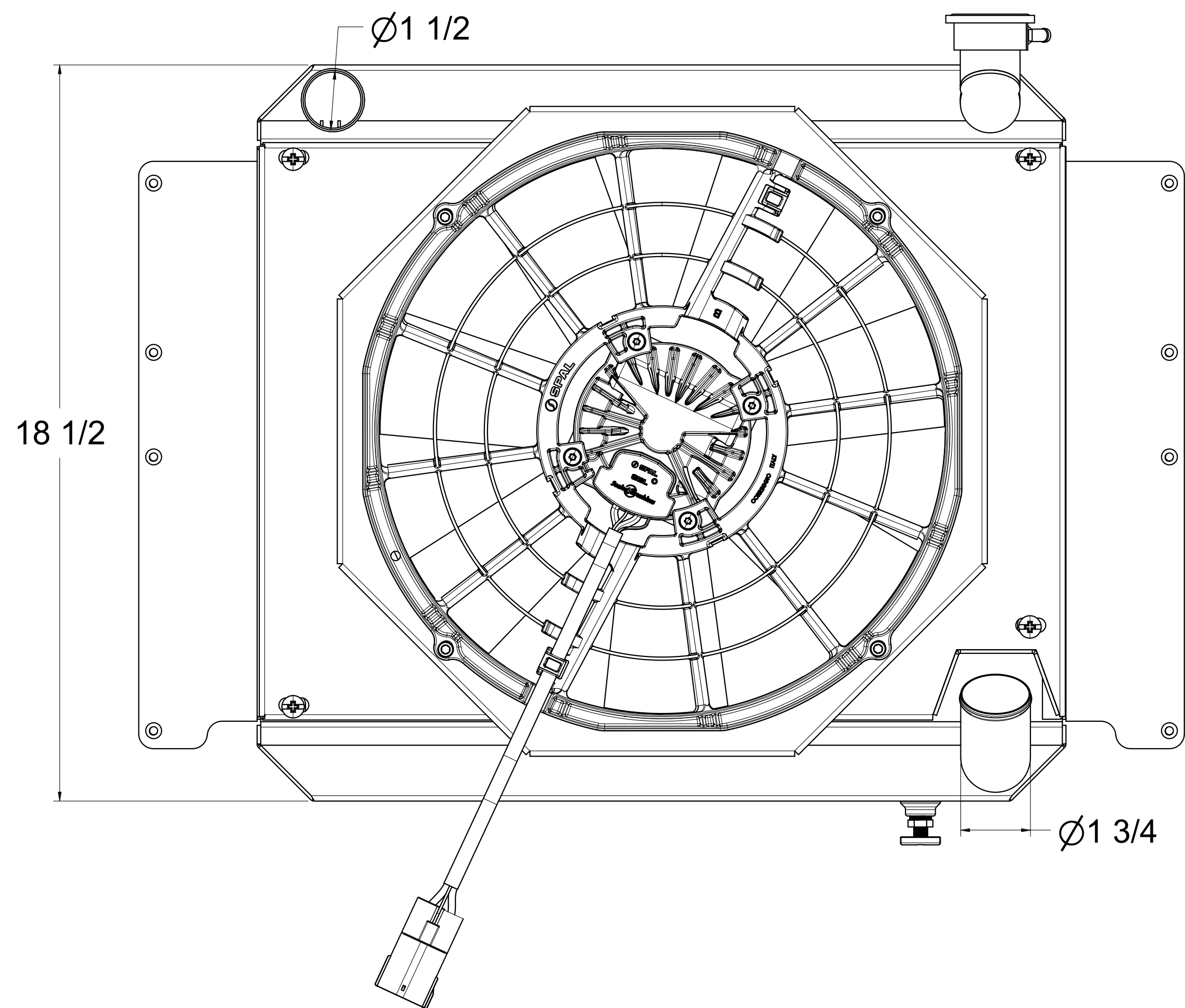
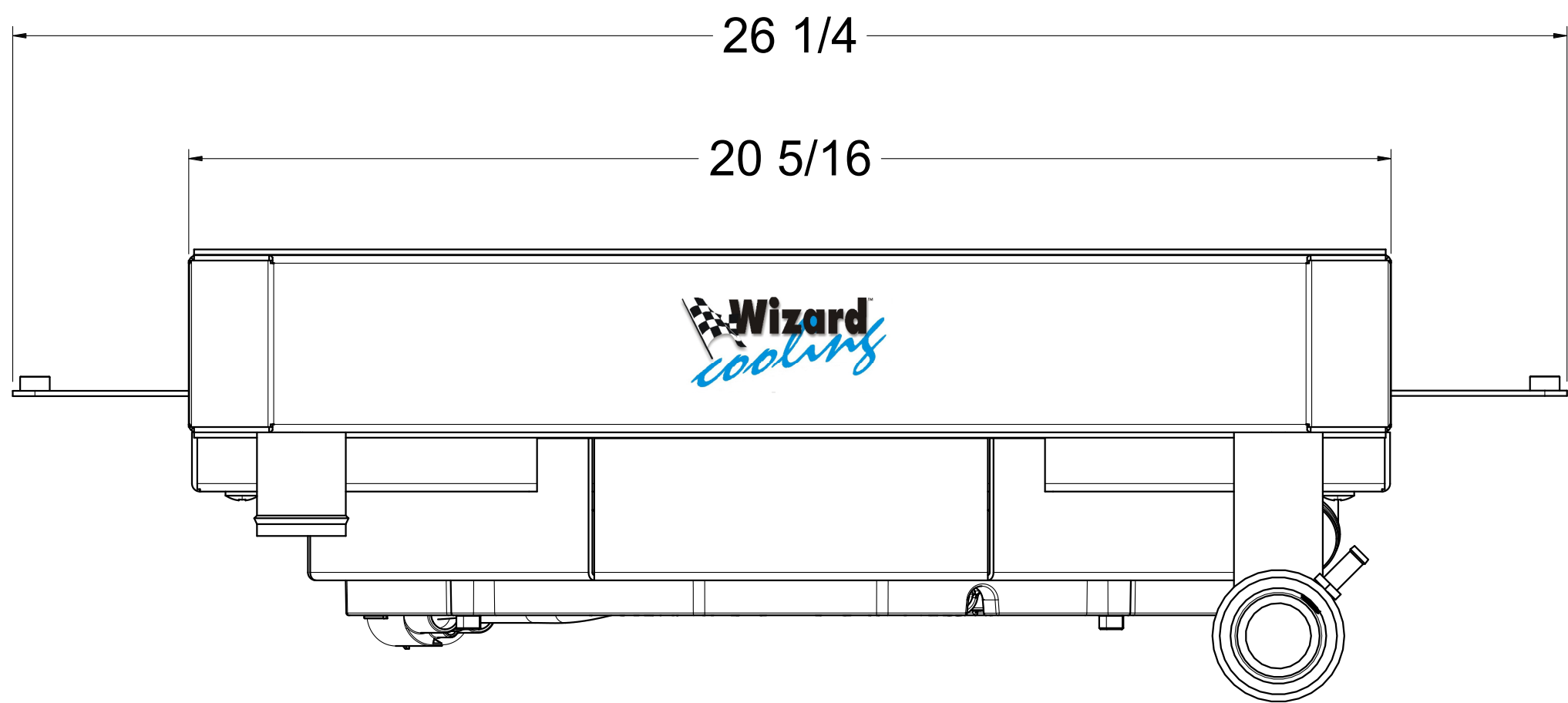


SKU #	Radiator DWG #	Radiator P/N	Transmission	Core Size	Shroud & Fan DWG #	Shroud & Fan P/N	Fan Type	Dimension "X"
1-1653-108BL300	1-1653-Radiator	1-1653-100	Manual	STANDARD (2 Rows of 1" Tubes)	1-1653-008BL (Dual Chamber Shroud)	1-1653-008BL300	300W Brushless	6.5"
1-1653-008BL500						500W Brushless		
1-1653-208BL300		1-1653-200		UPGRADED (2 Rows of 1.25" Tubes)		1-1653-008BL300	300W Brushless	
1-1653-208BL500						1-1653-008BL500	500W Brushless	



**Wizard**  
*cooling*  
Custom Aluminum Radiators  
[www.wizardcooling.com](http://www.wizardcooling.com)

Contact Us:  
716-655-6760

Drawing Name  
**1-1653-Radiator  
&  
1-1653-008BL  
Manual Transmission**