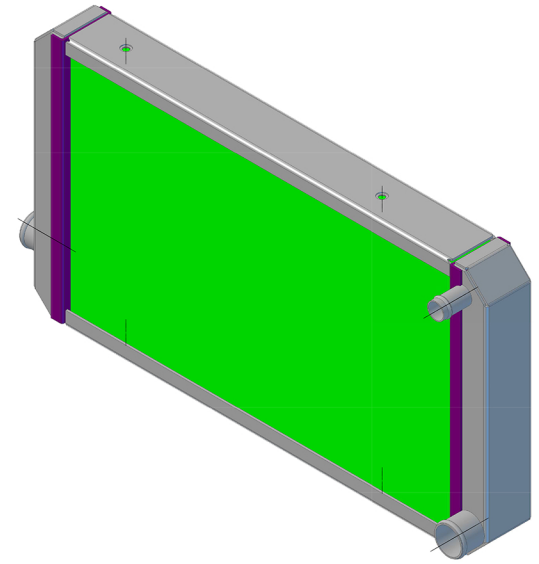


8 7 6 5 4 3 2 1

REVISIONS				
ZONE	REV	DESCRIPTION	DATE	APPROVED

D

D



C

C

B

B

A

A

20 3/8

11 3/16

Ø 3/4

2 1/16

Ø 1 1/4



DRAWN TJM	DATE 3/24/15
CHECKED	
QA	
MFG	
APPROVED	

Title: MG Midget			
99067-100			
SIZE D	FSCM NO.	DWG NO.	REV -
SCALE 1:1	SHEET		1

8 7 6 5 4 3 2 1